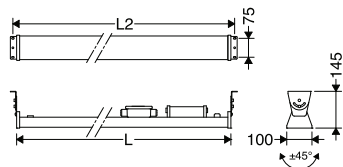
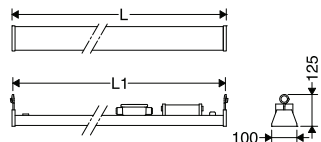


M430...115...  
M430...145...  
M430...160...



M430... + GCU-Bracket



M430...

Cat. Code	Dimensions (mm)			W (kg)
	L	L1	L2	
M430N903LED... M430M903LED... M430W903LED...	850	840	880	3.8
M430N1154LED... M430M1154LED... M430W1154LED...	1135	1125	1165	4.6
M430N1455LED... M430M1455LED... M430W1455LED...	1420	1410	1450	5.7
M430N1605LED... M430M1605LED... M430W1605LED...	1600	1590	1630	6.1

EN

Instruction for installation and utilization of **UNILITE** Dust & Moisture Proof Linear High/ Low Bay Luminaire

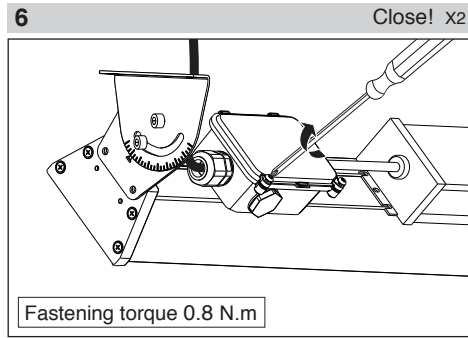
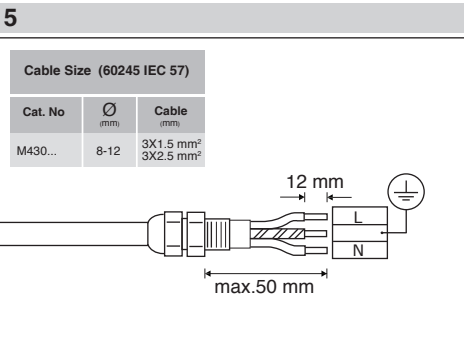
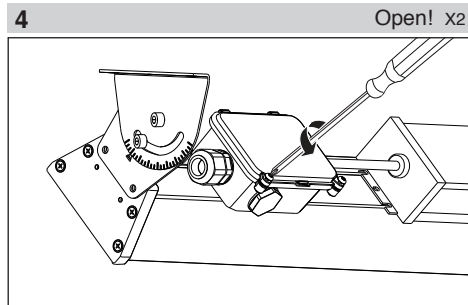
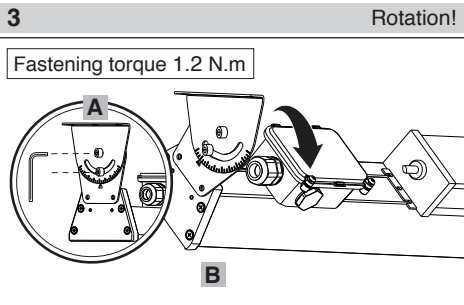
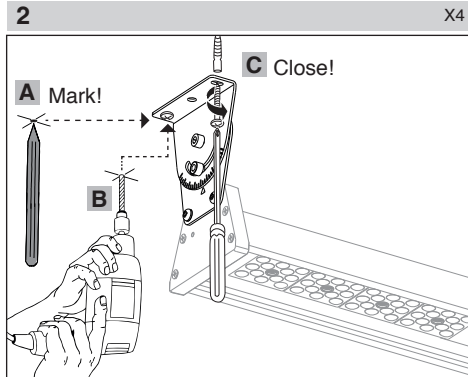
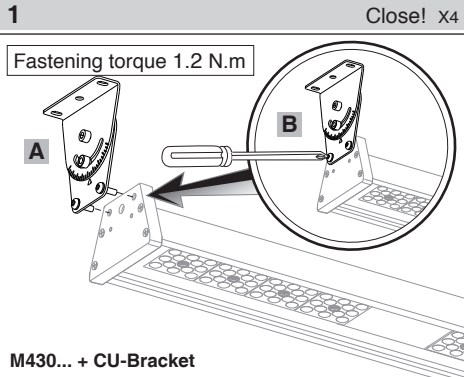
7002021308

www.megalite.com info@megalite.com

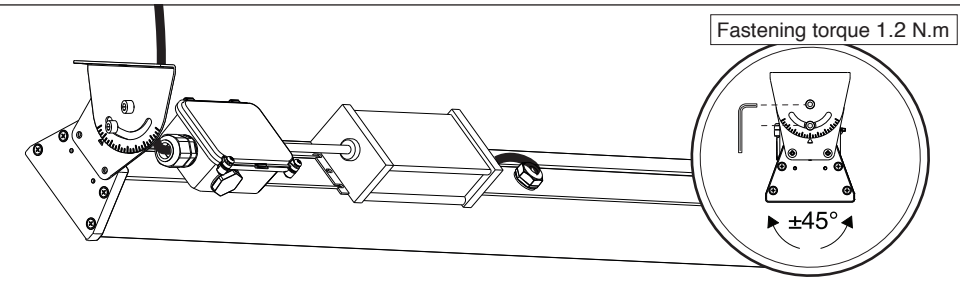


- 1- For proper utilization of this product and safety, it is mandatory to closely comply with the directions and notes in this instruction and guide.
- 2- Earth connection as provided is mandatory.
- 3- Do not directly touch or impact LED module.
- 4- Do not stare at LED light source.
- 5- Luminaire end caps shall not be opened, otherwise IP rating would not be maintained
- 6- The light source of this luminaire is not replaceable; when the light source reaches its end of life the whole luminaire shall be replaced
- 7- Suitable only for indoor applications

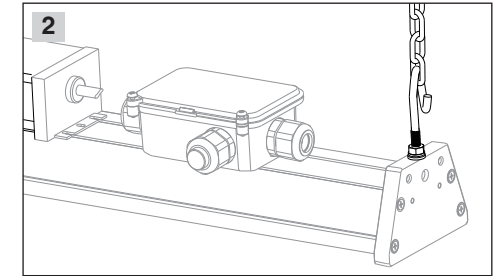
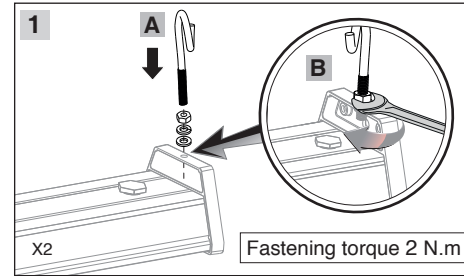
## Surface Mount installation



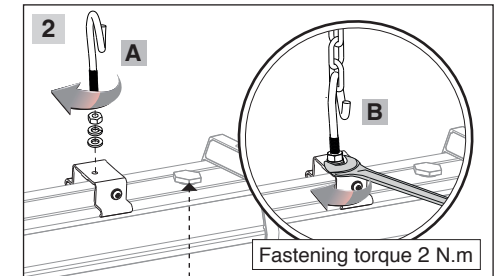
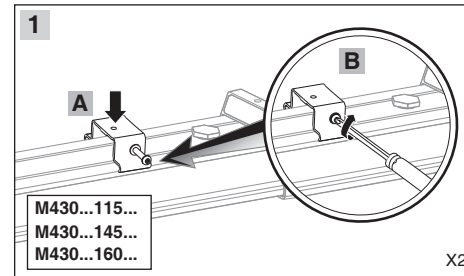
### Adjust the angle of the luminaire with the bracket. (CU-Bracket)



## Installation with Suspension hooks



## Installation with Suspension hooks and mounting clamps



⚠ Please do not open it

