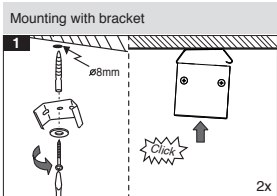


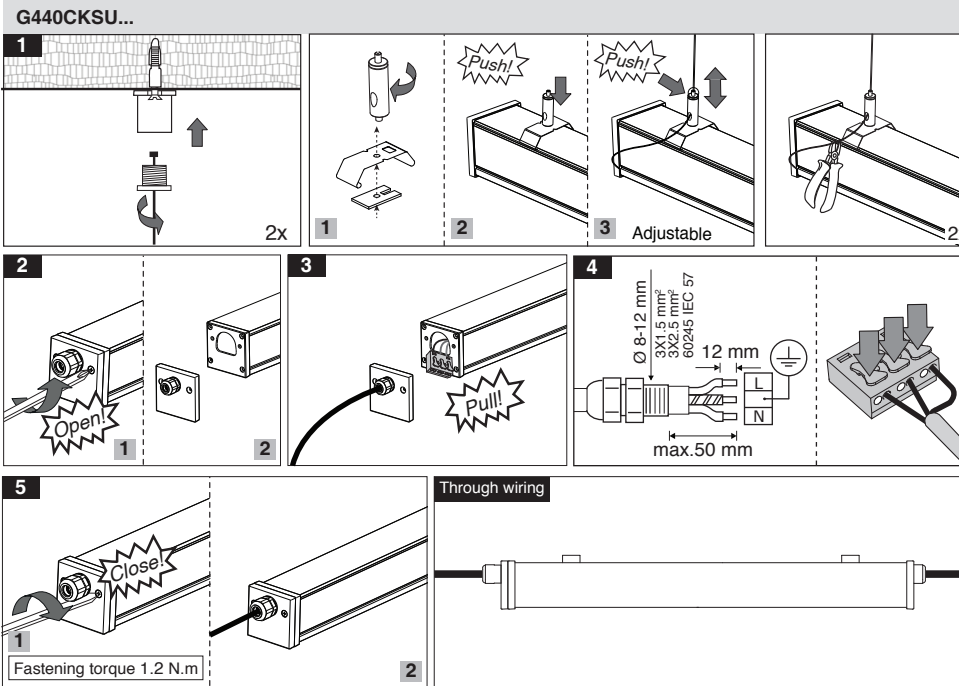
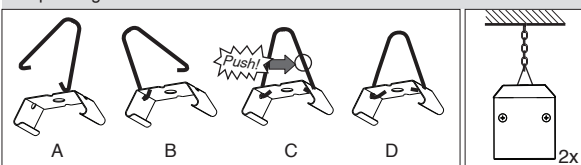
| Cat. Code | Dimensions | | W (kg) |
|----------------------|------------|--|--------|
| | L(mm) | | |
| M455...601LED1840-S | 600 | | 1.8 |
| M455...1152LED2840-S | 1160 | | 3.2 |
| M455...1453LED3840-S | 1440 | | 4.2 |



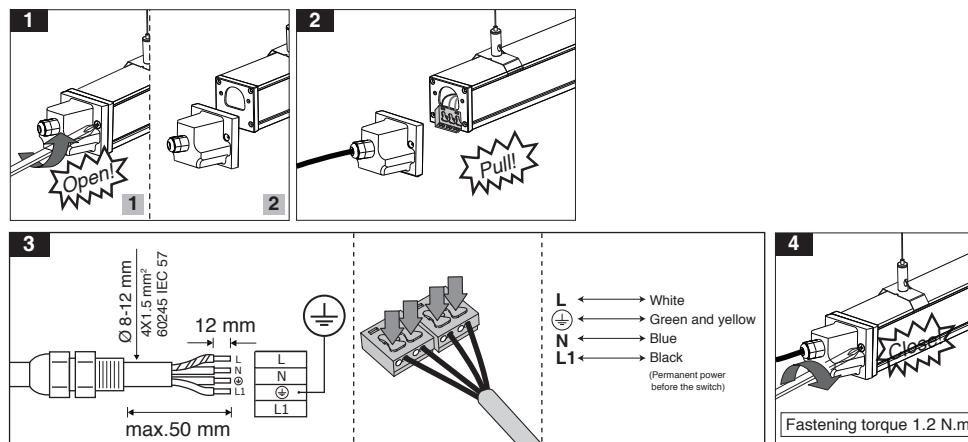
- 1- For proper utilization of this product and safety, it is mandatory to closely comply with the directions and notes in this instruction and guide.
- 2- Earth connection as provided is mandatory.
- 3- Do not directly touch or impact LED module.
- 4- Do not stare at LED light source.
- 5- The light source of this luminaire is not replaceable; when the light source reaches its end of life the whole luminaire shall be replaced



Mounting with bracket



Electrical connection for battery-using luminaire



Through wiring

