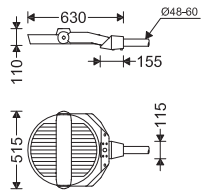
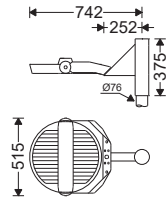


EN Instruction for installation and utilization of **SATURN** luminaire



M313U...+GPDS5-Bracket
M313U...+GPDS6-Bracket



M313U...+GPTV1E-Bracket

* **SATURN** can be ordered, upon request, with customized Timer Dimming scenarios. The above table can be completed in order to keep records of the customized settings. For more information, contact Megalite sales department.

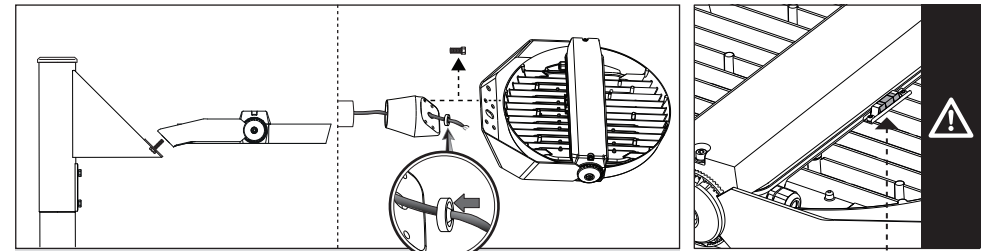
Timer dimming setting

Seventh step	Sixth step	Fifth step	Fourth step	Third step	Second step	First step	
							Duration
							Dimming Value
Traditional Timer Dimming <input type="checkbox"/>		Self-Adapt-Percentage Timer <input type="checkbox"/>		Self-Adapt-Midnight Timer <input type="checkbox"/>			Dimming mode



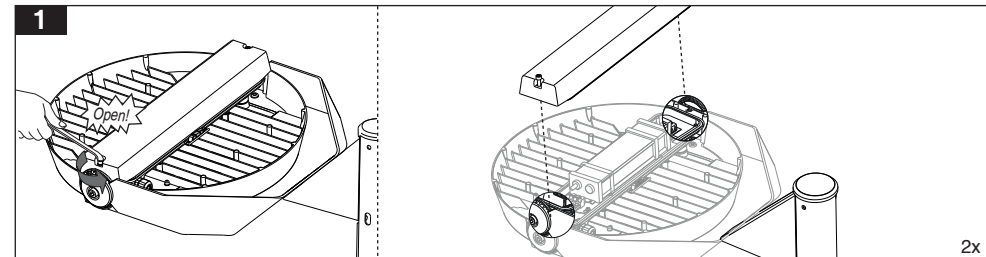
- !**
- 1- For proper utilization of this product and safety, it is mandatory to closely comply with the directions and notes in this instruction and guide.
 - 2- Earth connection as provided is mandatory.
 - 3- Do not directly touch or impact LED module.
 - 4- Do not stare at LED light source.
 - 5- The light source contained in this luminaire shall only be replaced by the manufacturer or his service agent or a similar qualified person. Always switch off the power prior to installation, maintenance or repair activities.

In order to use the brackets, follow their individual manual instructions for mounting.



Mounting to the bracket

! Bubble level feature to precisely align luminaire with horizontal plane



2

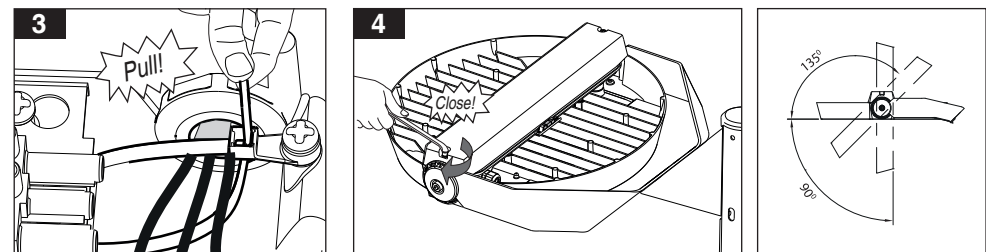
Looping

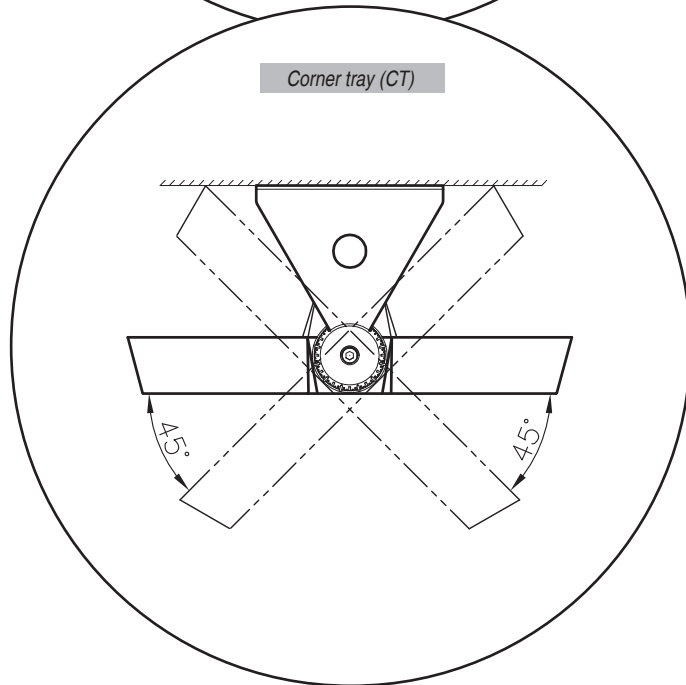
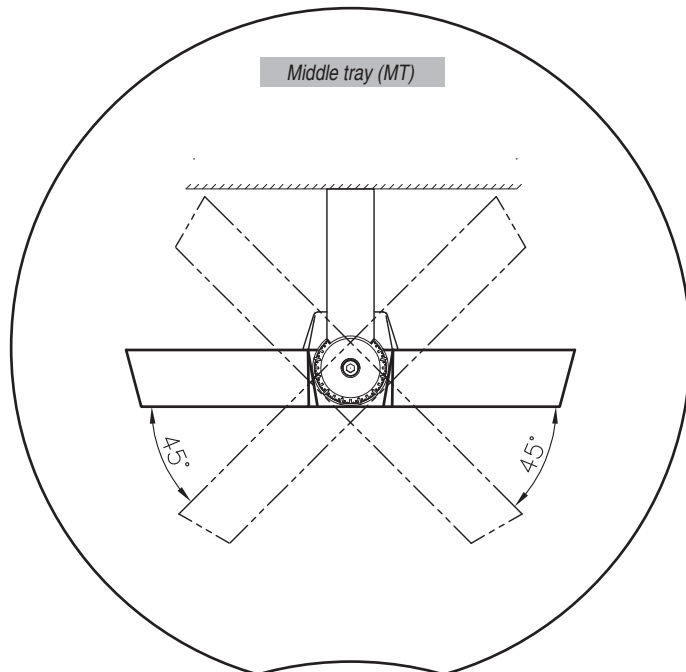
Cable Size (60245 IEC 57)		
Cat. No	Ø (mm)	Cable (mm²)
M313N...	8-12	3X1.5 mm²
M313W...	8-12	3X2.5 mm²

3

Close!

M313N..., M313W...



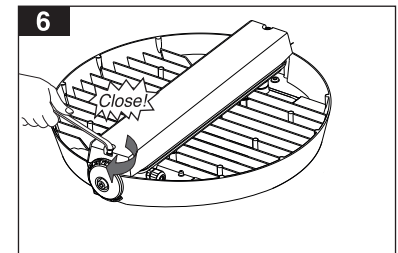
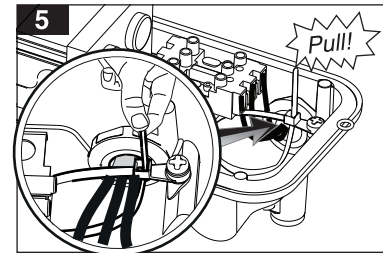
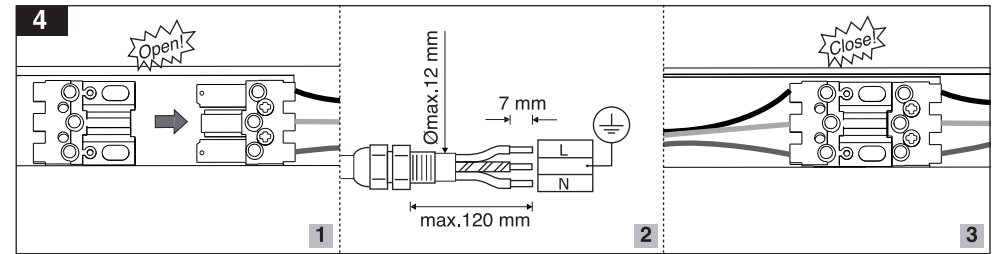
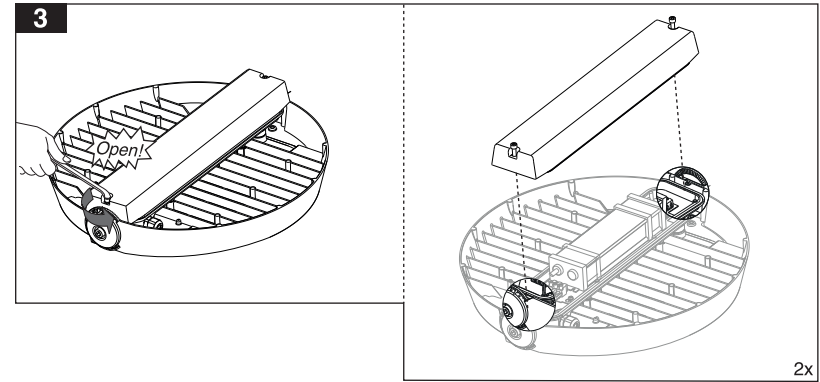
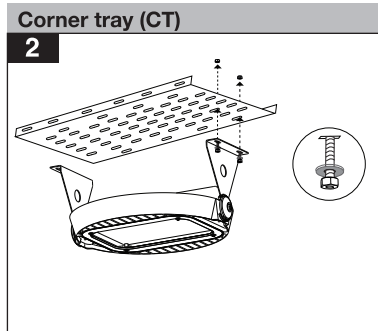
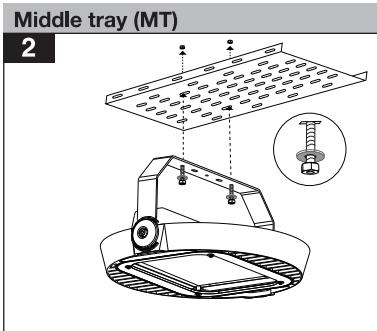
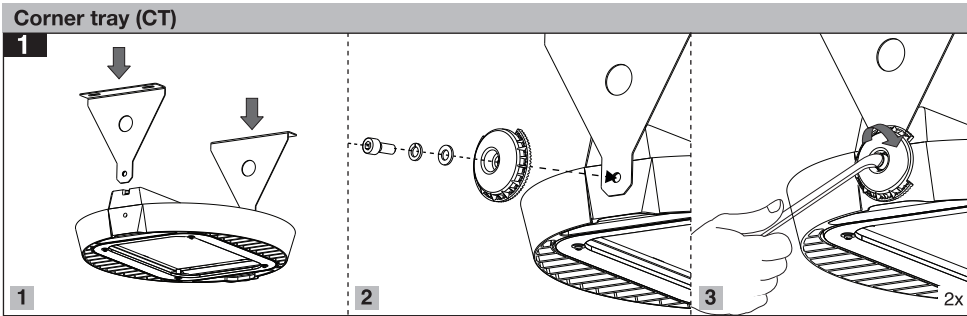
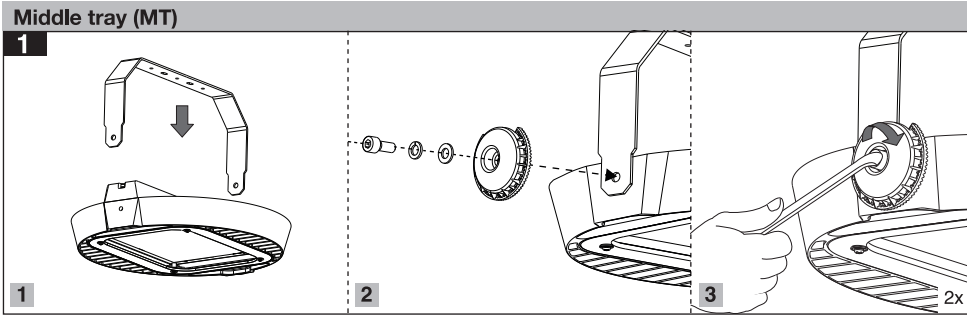


7002019509

www.megalite.com info@megalite.com



- 1- For proper utilization of this product and safety, it is mandatory to closely comply with the directions and notes in this instruction and guide.
- 2- Earth connection as provided is mandatory.
- 3- Do not directly touch or impact LED module.
- 4- Do not stare at LED light source.



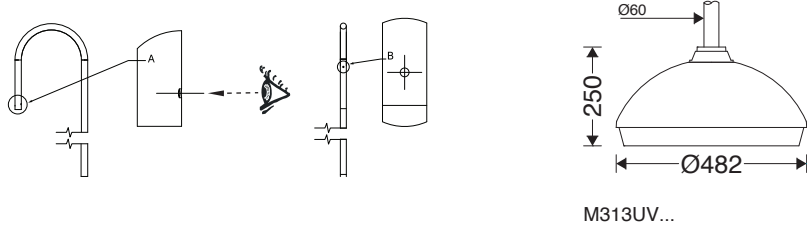
* **SATURN** can be ordered, upon request, with customized Timer Dimming scenarios. The above table can be completed in order to keep records of the customized settings. For more information, contact Megalite sales department.

Timer dimming setting

Seventh step	Sixth step	Fifth step	Fourth step	Third step	Second step	First step	
							Duration
							Dimming Value
Traditional Timer Dimming <input type="checkbox"/>		Self-Adapt-Percentage Timer <input type="checkbox"/>		Self-Adapt-Midnight Timer <input type="checkbox"/>			Dimming mode

EN SATURN LED mounting vertically to the pole instruction for installation and utilization

Details of the pole from the front view



M313UV...

! Be careful where the cavity is created on the pole.



* **SATURN** can be ordered, upon request, with customized Timer Dimming scenarios. The above table can be completed in order to keep records of the customized settings. For more information, contact Megalite sales department.

Timer dimming setting

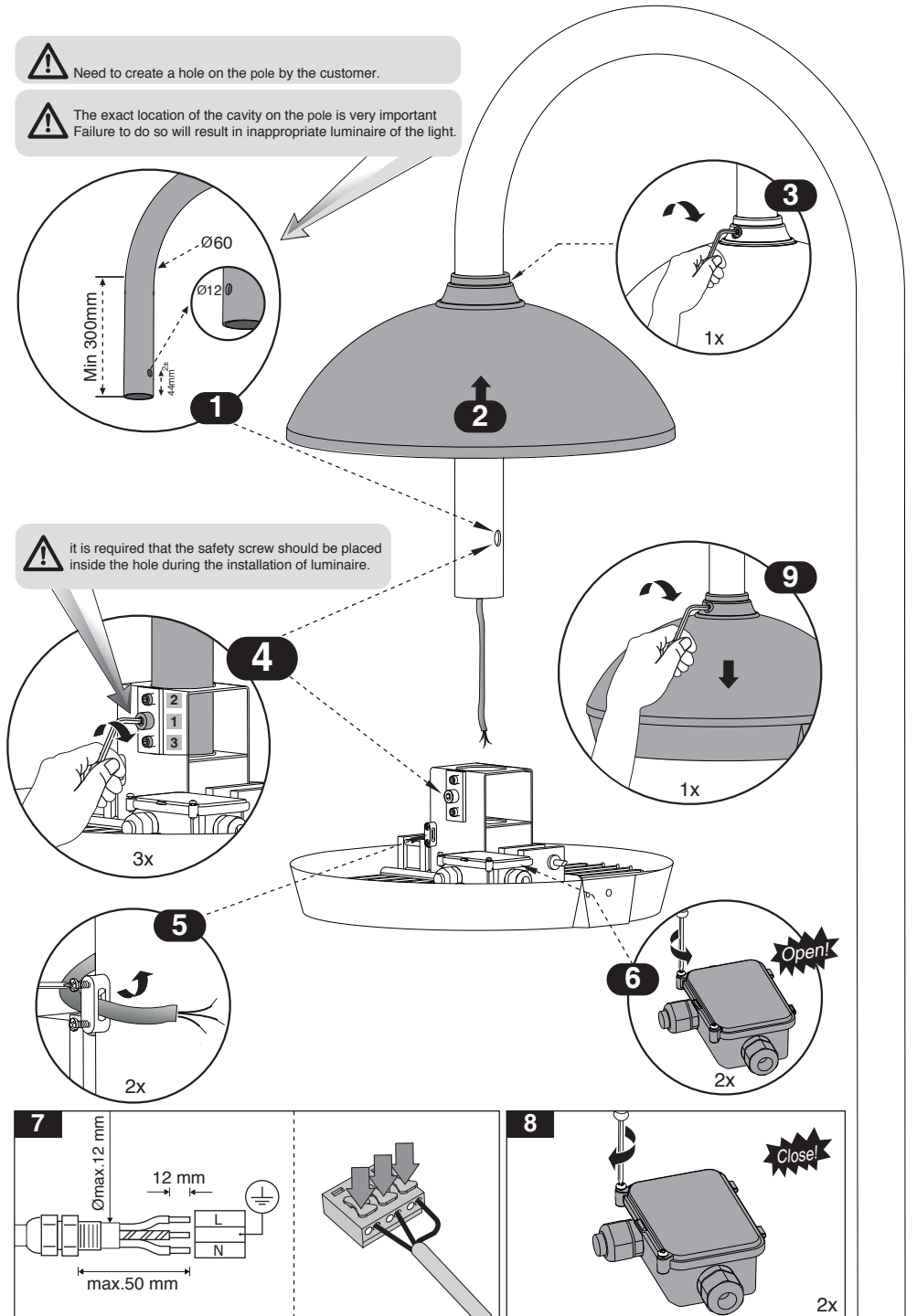
Seventh step	Sixth step	Fifth step	Fourth step	Third step	Second step	First step	
							Duration
							Dimming Value
Traditional Timer Dimming <input type="checkbox"/>		Self-Adapt-Percentage Timer <input type="checkbox"/>		Self-Adapt-Midnight Timer <input type="checkbox"/>			Dimming mode



- 1- For proper utilization of this product and safety, it is mandatory to closely comply with the directions and notes in this instruction and guide.
- 2- Earth connection as provided is mandatory.
- 3- Do not directly touch or impact LED module.
- 4- Do not stare at LED light source.

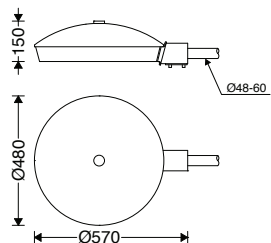
! Need to create a hole on the pole by the customer.

! The exact location of the cavity on the pole is very important. Failure to do so will result in inappropriate luminaire of the light.



! it is required that the safety screw should be placed inside the hole during the installation of luminaire.

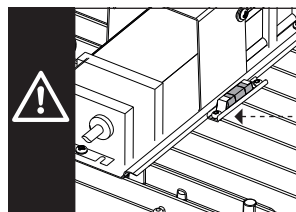
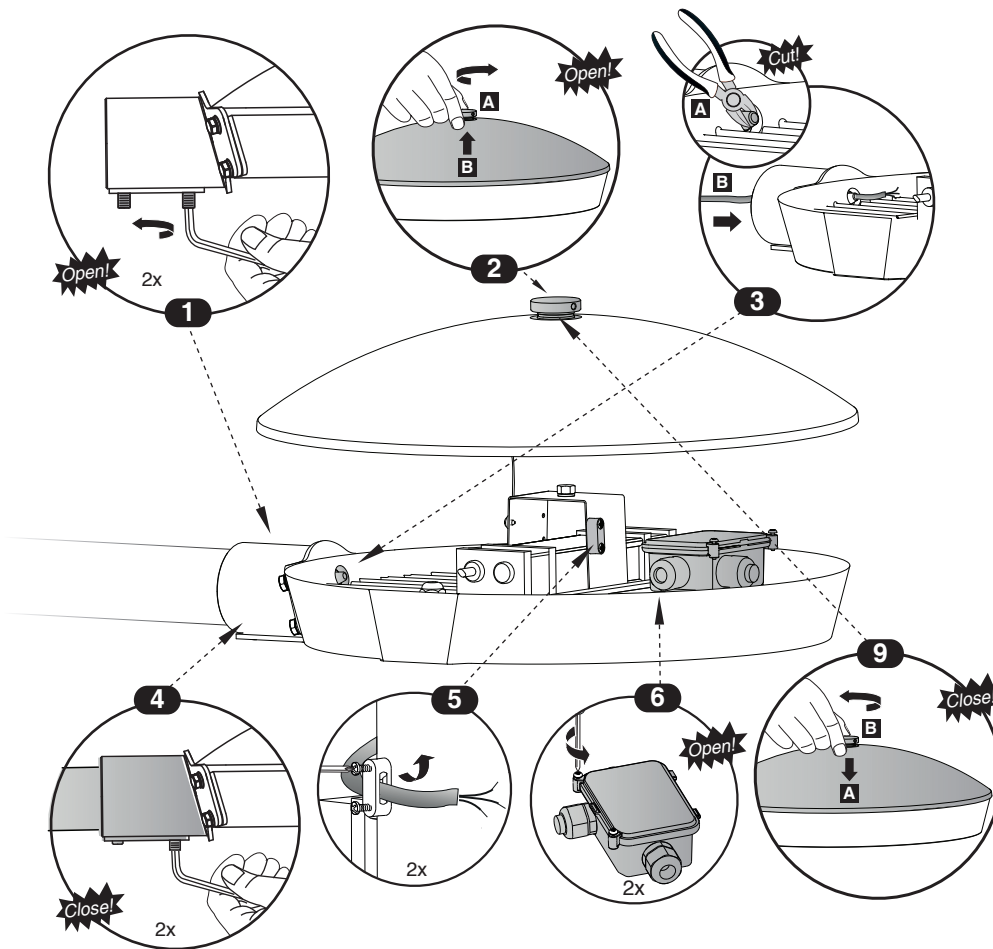
EN SATURN mounting horizontally to the pole instruction for installation and utilization



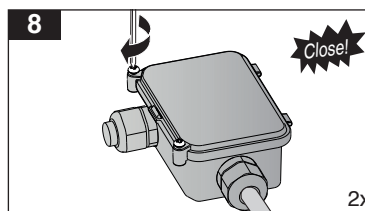
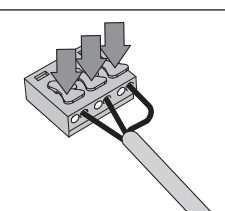
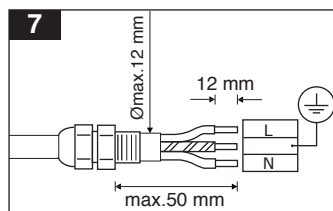
* **SATURN** can be ordered, upon request, with customized Timer Dimming scenarios. The above table can be completed in order to keep records of the customized settings. For more information, contact Megalite sales department.

Timer dimming setting

Seventh step	Sixth step	Fifth step	Fourth step	Third step	Second step	First step	
							Duration
							Dimming Value
Traditional Timer Dimming <input type="checkbox"/>		Self-Adapt-Percentage Timer <input type="checkbox"/>		Self-Adapt-Midnight Timer <input type="checkbox"/>			Dimming mode



! Bubble level feature to precisely align luminaire with horizontal plane



- !** 1- For proper utilization of this product and safety, it is mandatory to closely comply with the directions and notes in this instruction and guide.
- 2- Earth connection as provided is mandatory.
- 3- Do not directly touch or impact LED module.
- 4- Do not stare at LED light source.