


EN Instruction for installation and utilization of **NOVATRON** track light with adjustable light distribution

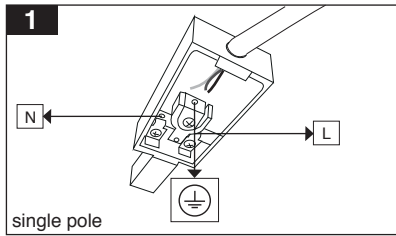
7002020302

www.megalite.com info@megalite.com

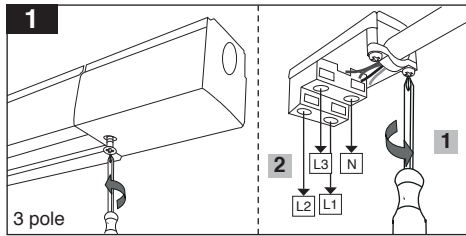
 **Megalite**



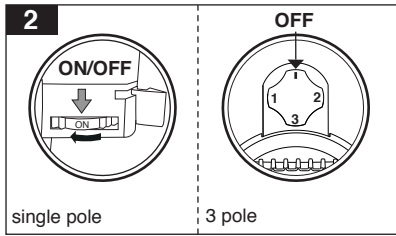
- | | |
|---|---|
|  | 1- Do not directly touch or impact LED module. |
| | 2- Do not stare at LED light source. |
| | 3- Earth connection as provided is mandatory. |
| | 4- For proper utilization of this product and for safety, it is mandatory to closely comply with the directions and notes in this installation and maintenance guide. |



single pole

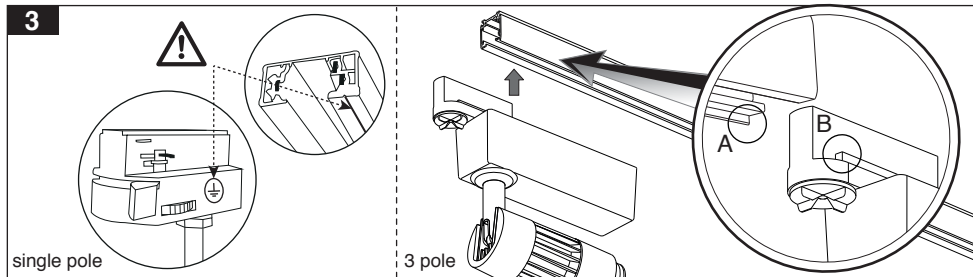


3 pole



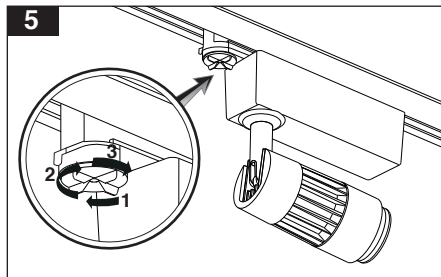
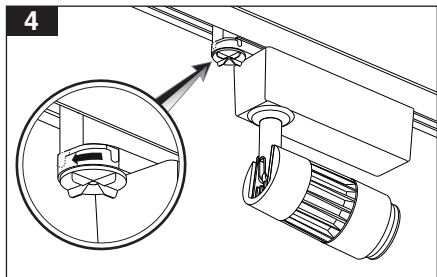
single pole

3 pole



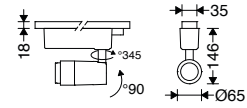
Guide line and the earth lable must be aligned while connecting the adaptor to the single pole rail.

Guides A and B must not be aligned while connecting the adaptor to the 3 poles rail.



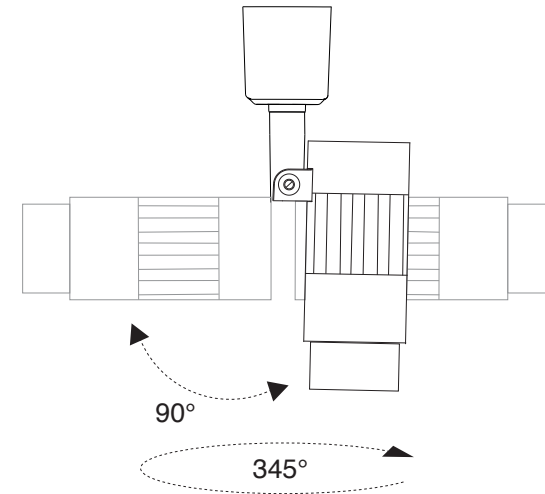
Select the desired phase by rotating the graded switch

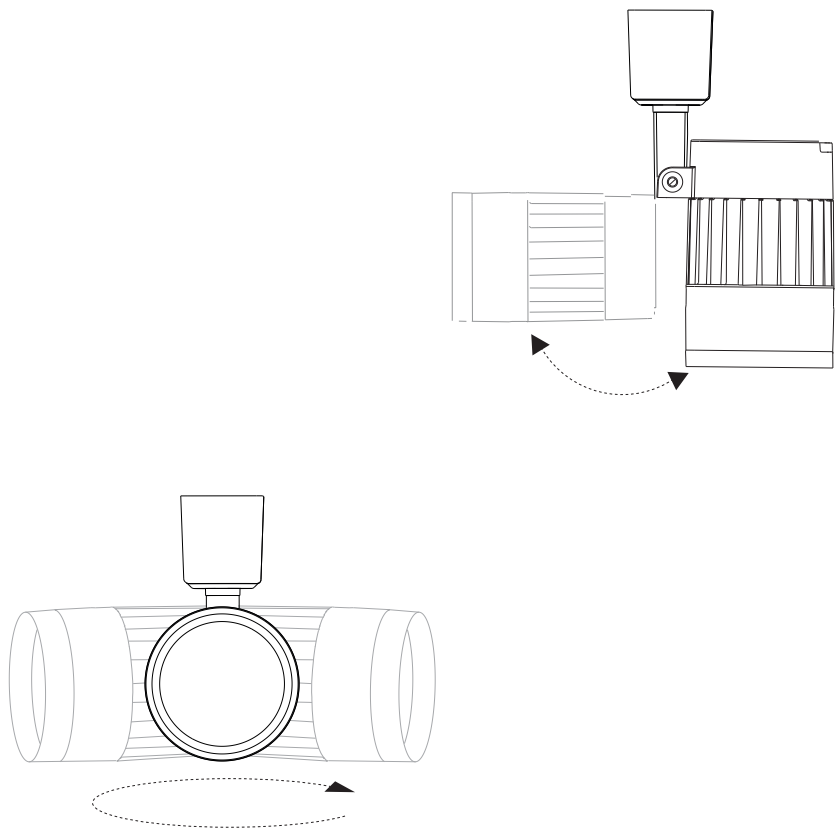
Angle adjustment luminaire



M464+...474STRACKPRO03...

M464+...467STRACKPRO03...





7002011810

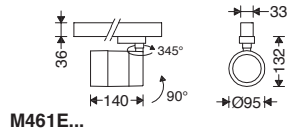
www.megalite.com info@megalite.com

 **Megalite**

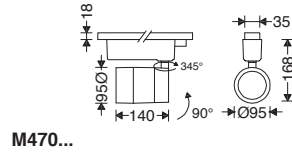


- 1- Do not directly touch or impact LED module.
- 2- Do not stare at LED light source.
- 3- Earth connection as provided is mandatory.
- 4- For proper utilization of this product and for safety, it is mandatory to closely comply with the directions and notes in this installation and maintenance guide.

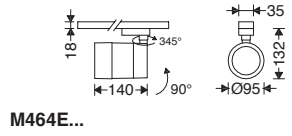
Surface mount



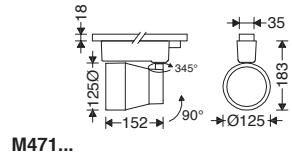
M461E...



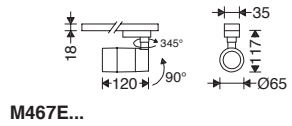
M470...



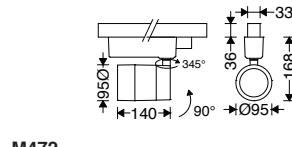
M464E...



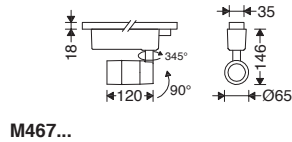
M471...



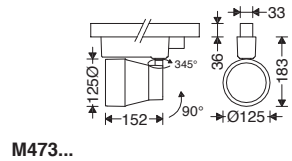
M467E...



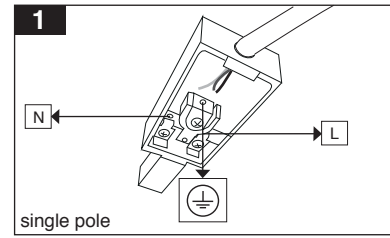
M472...



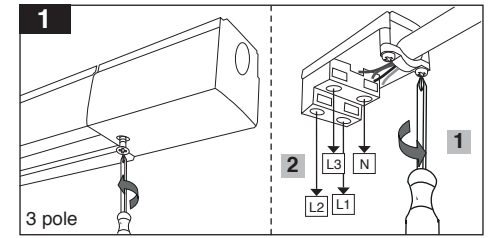
M467...



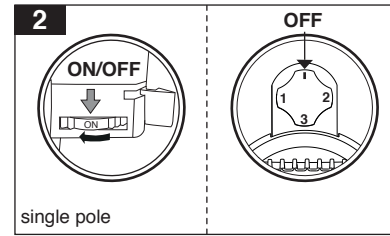
M473...



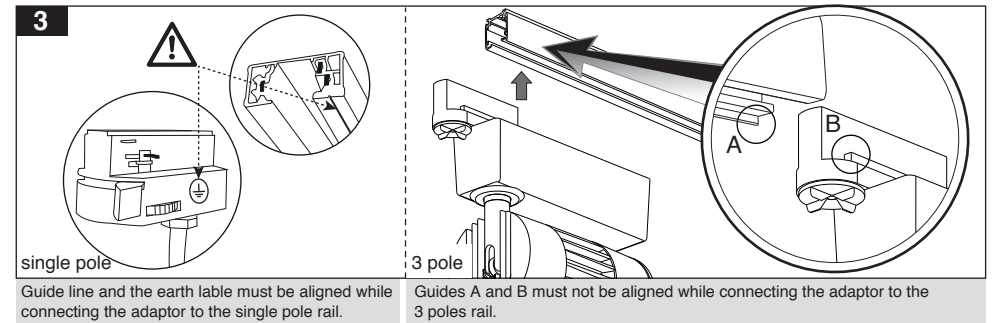
single pole



3 pole



single pole

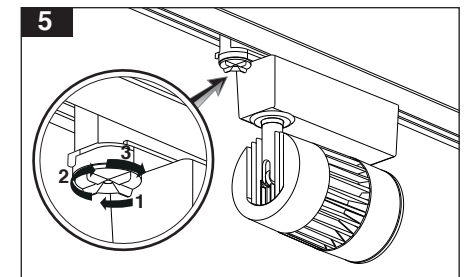
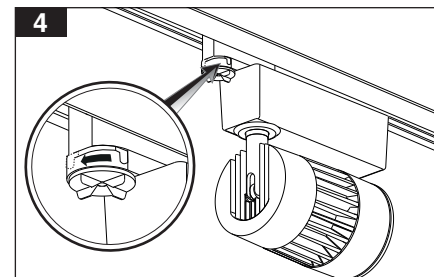


single pole

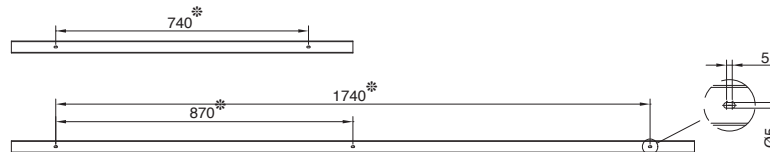
3 pole

Guide line and the earth label must be aligned while connecting the adaptor to the single pole rail.

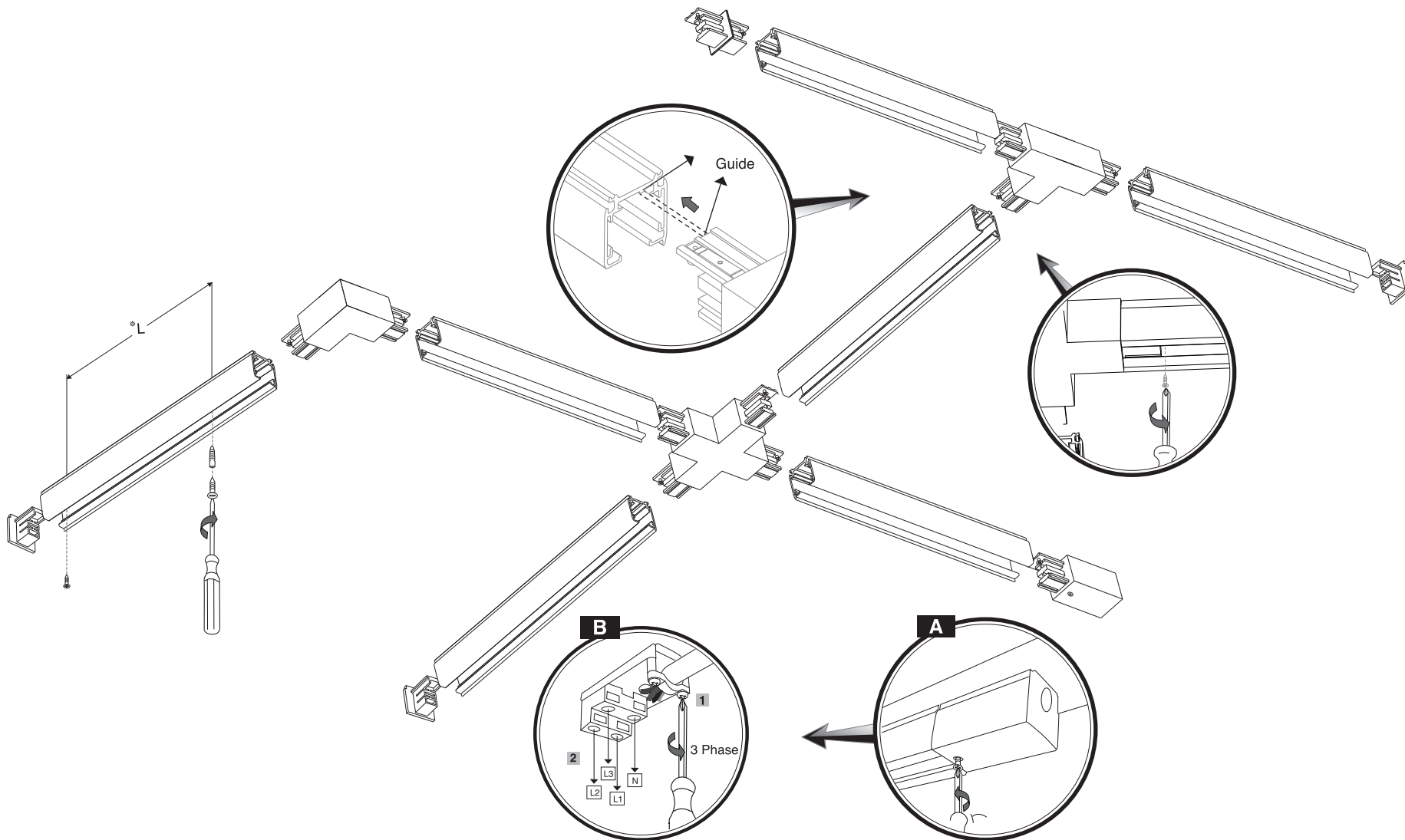
Guides A and B must not be aligned while connecting the adaptor to the 3 poles rail.



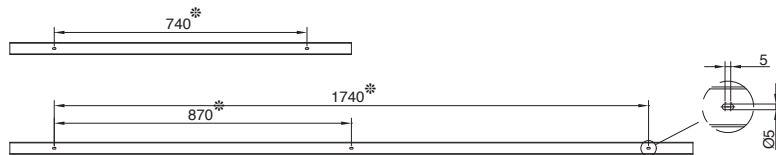
Select the desired phase by rotating the graded switch



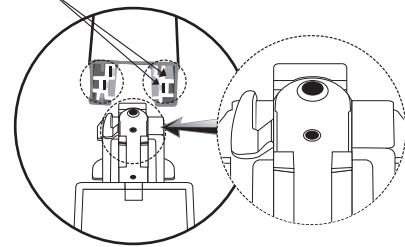
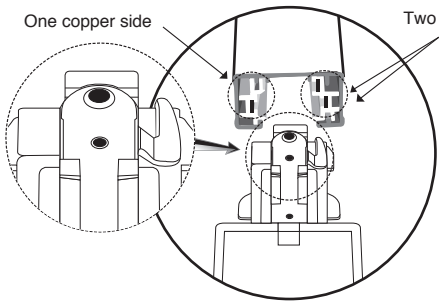
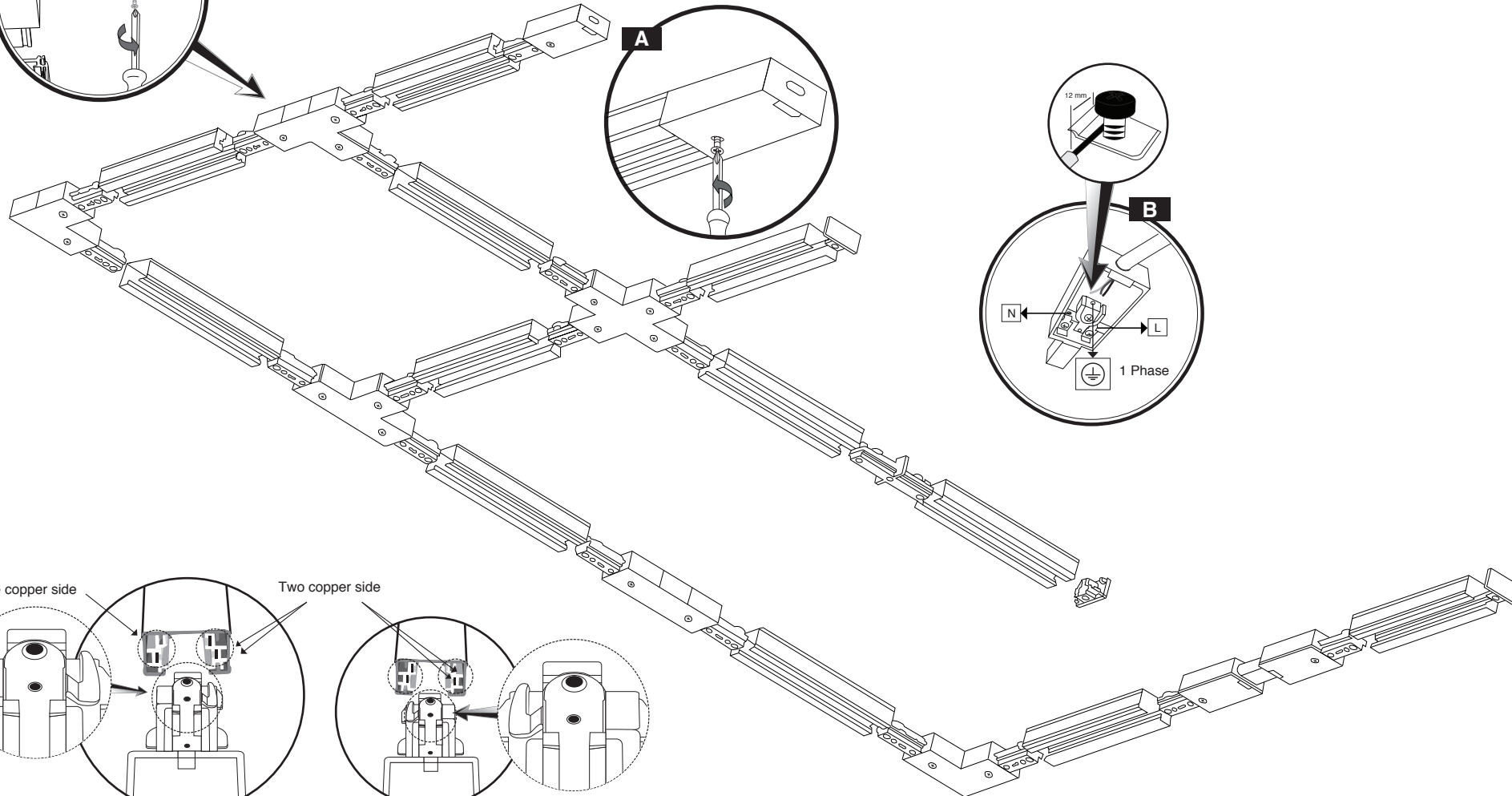
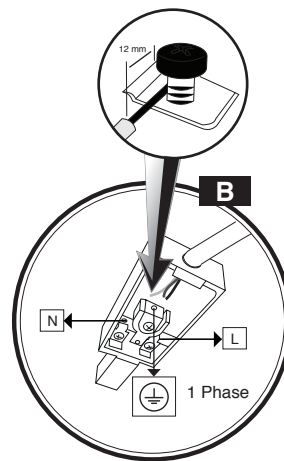
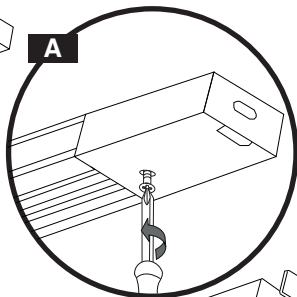
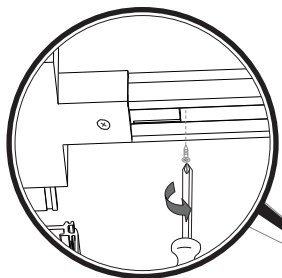
460STRACKWR410-W
460STRACKWR420-W



Instruction for installation and utilization of surface mount single- pole track for **NOVATRON, LUMERIA** and **HONEY** track light



464STRACKJBD100-W
464STRACKJBD200-W



Grounding tab of the connector must be placed on the two copper side of the rail. ⚠

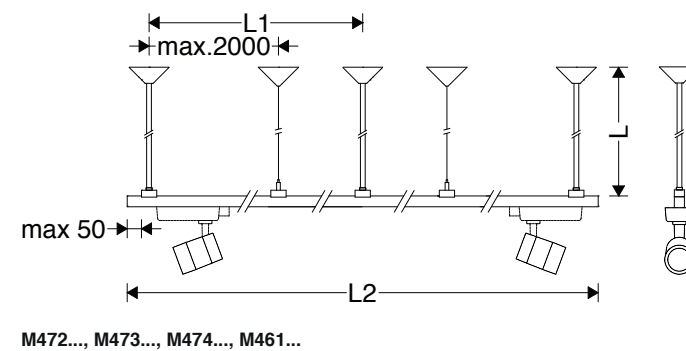
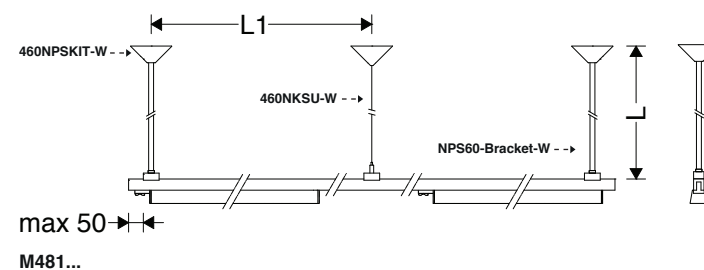
7002024003
www.megalite.com
info@megalite.com



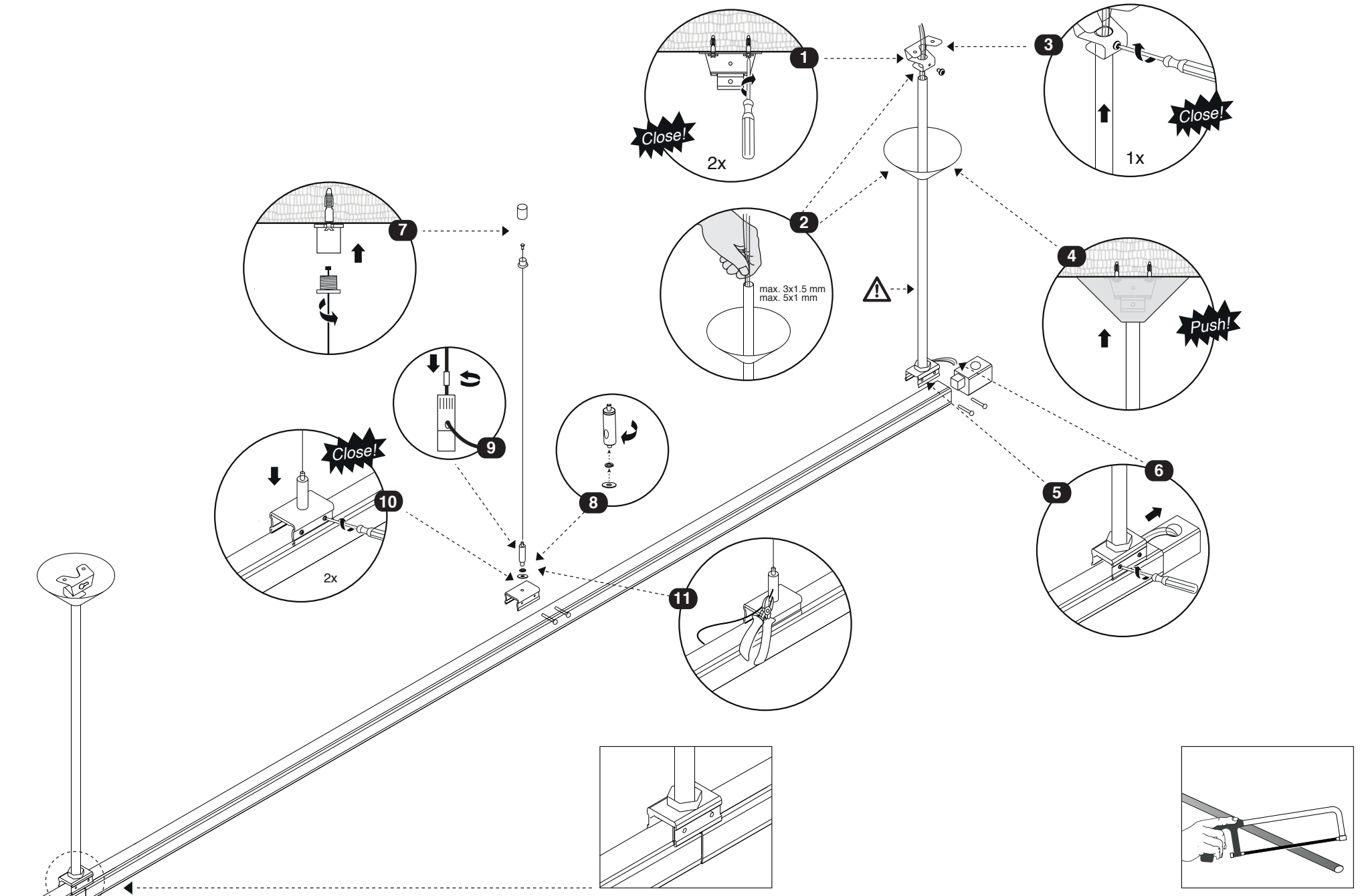
EN Instruction for installation and utilization of suspension bracket for **NOVATRON** and **LUMERIA** track light

7002019805

www.megalite.com info@megalite.com



Cat. Code	L(mm)	L1(L2>8000)
460NKSU	-	4000-6000
460NPSKIT	-	4000-6000
NPS60-Bracket	650 ±5	4000-6000
NPS120-Bracket	1250 ±5	4000-6000



⚠ Attention: Brackets should be installed at the junction point of the tracks, for contineus versions.

⚠ Cut the pipe (NPS...-Bracket...) to adjust the installation Height of track