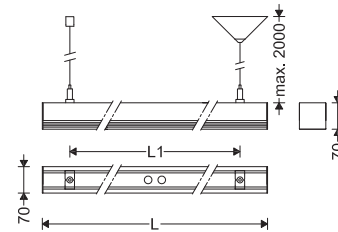
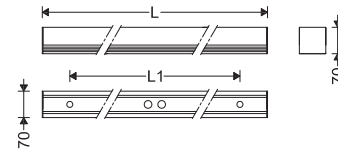


EN Instruction for Installation and Utilization of **LUMiNA** Surface Mount Linear LED Luminaire

Cat. Code	Dimensions		W (kg)
	L(mm)	L1(mm)	
M458EL601LED1840	600	450	1.1
M458L601LED2840	600	450	1.2
M458L902LED2840	880	700	2.1
M458L1152LED2840	1160	900	2.2
M458L1453LED2840	1440	1000	2.7
M458L1703LED2840	1720	1200	3.0



Among different size variety, just the 60cm model can be installed in vertical position.

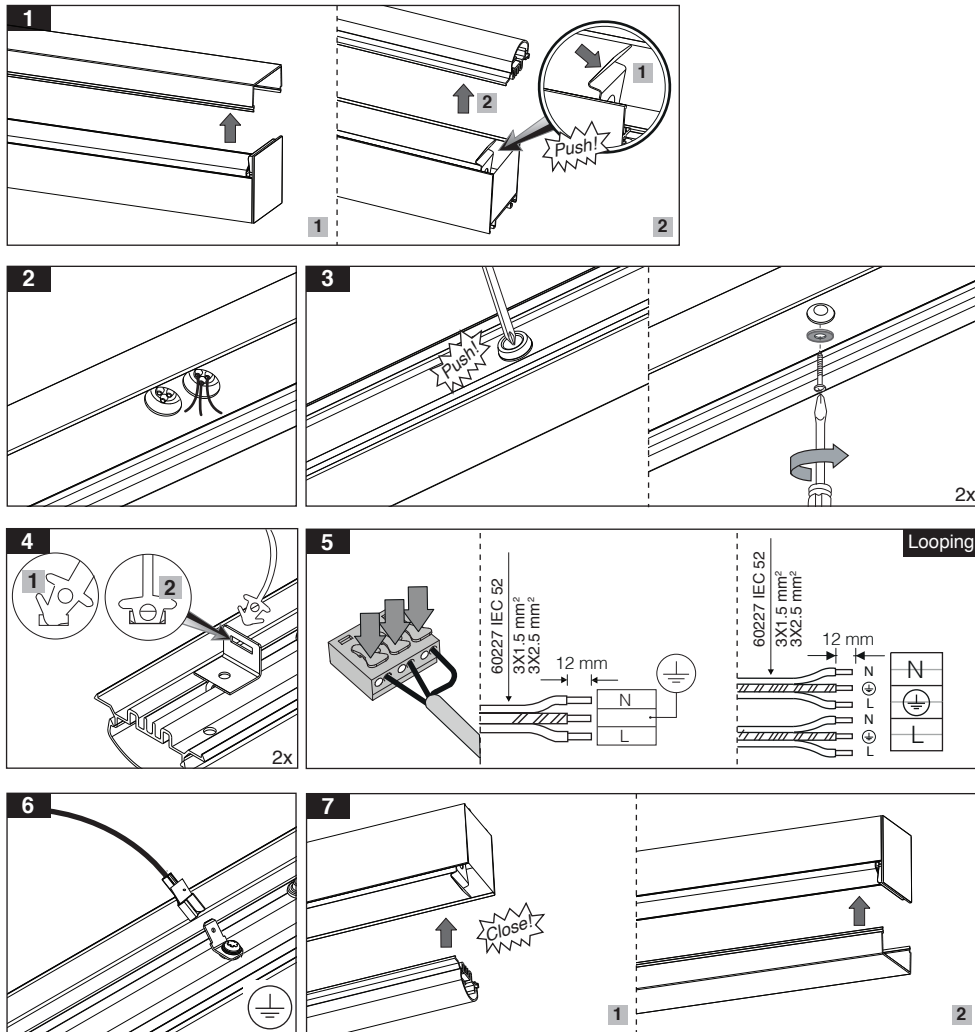


- 1- For safety and proper utilization of this product, it is mandatory to closely comply with the directions in this instruction/maintenance guide.
- 2- Earth connection as provided is mandatory.
- 3- Do not directly touch or impact LED module.
- 4- Do not stare at LED light source.
- 5- The light source contained in this luminaire shall only be replaced by the manufacturer or his service agent or a similar qualified person. Always switch off the power prior to installation, maintenance or repair activities.



www.megalite.com info@megalite.com

7002018107



Suspending with bracket
G458LKSU

