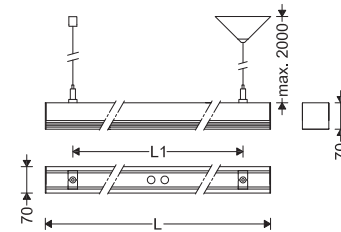
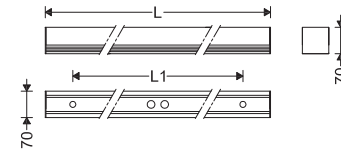


EN

Instruction for Installation and Utilization of **LUMiNA** Surface Mount Linear LED Luminaire

| Cat. Code | Dimensions | | W (kg) |
|------------------|------------|--------|-----------|
| | L(mm) | L1(mm) | |
| M458EL601LED1840 | 600 | 450 | 1.1 |
| M458L601LED2840 | 600 | 450 | 1.2 |
| M458L902LED2840 | 880 | 700 | 2.1 |
| M458L1152LED2840 | 1160 | 900 | 2.2 |
| M458L1453LED2840 | 1440 | 1000 | 2.7 |
| M458L1703LED2840 | 1720 | 1200 | 3.0 |



Among different size variety, just the 60cm model can be installed in vertical position.



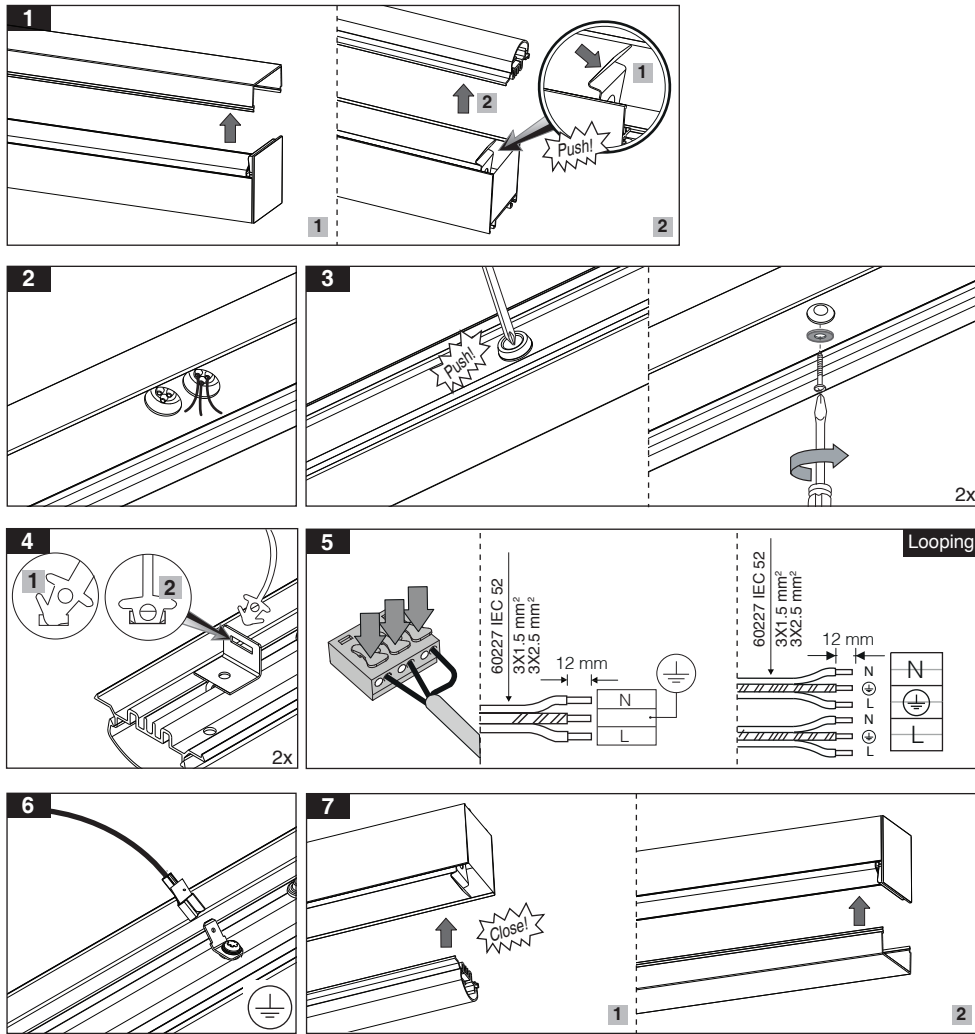
- 1- For safety and proper utilization of this product, it is mandatory to closely comply with the directions in this instruction/maintenance guide.
- 2- Earth connection as provided is mandatory.
- 3- Do not directly touch or impact LED module.
- 4- Do not stare at LED light source.
- 5- The light source contained in this luminaire shall only be replaced by the manufacturer or his service agent or a similar qualified person. Always switch off the power prior to installation, maintenance or repair activities.

Megalite
Crafted for Brilliance



7002018107

www.megalite.com info@megalite.com



Suspending with bracket
G458LKSU

