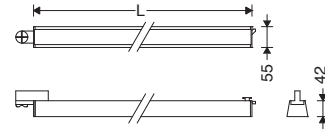


M480...

Cat. Code	L(mm)
M480D1202LED2840	1140
M480A1202LED2840	
M480DA1202LED2840	
M480W1202LED2840	
M480N1202LED2840	578
M480D601LED2840	
M480A601LED2840	
M480DA601LED2840	
M480W601LED2840	
M480N601LED2840	

Cat. Code
G464STRACKJBD100
G464STRACKJBD200



M481...

Cat. Code	L(mm)
M481D1202LED2840	1140
M481A1202LED2840	
M481DA1202LED2840	
M481W1202LED2840	
M481N1202LED2840	578
M481D601LED2840	
M481A601LED2840	
M481DA601LED2840	
M481W601LED2840	
M481N601LED2840	

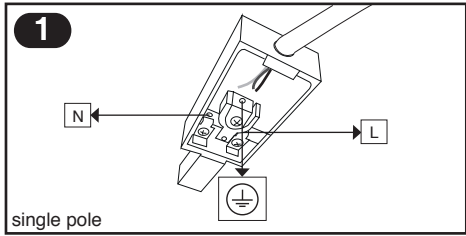
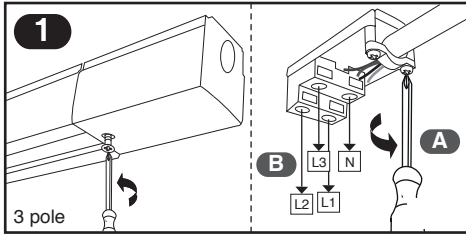
Cat. Code
G460STRACKWR410
G460STRACKWR420

7002019405

www.megalite.com info@megalite.com



- 1- For proper utilization of this product and for safety, it is mandatory to closely comply with the directions and notes in this installation and maintenance guide.
- 2- Earth connection as provided is mandatory.
- 3- Do not directly touch or impact LED module.
- 4- Do not stare at LED light source.



3 poles

3

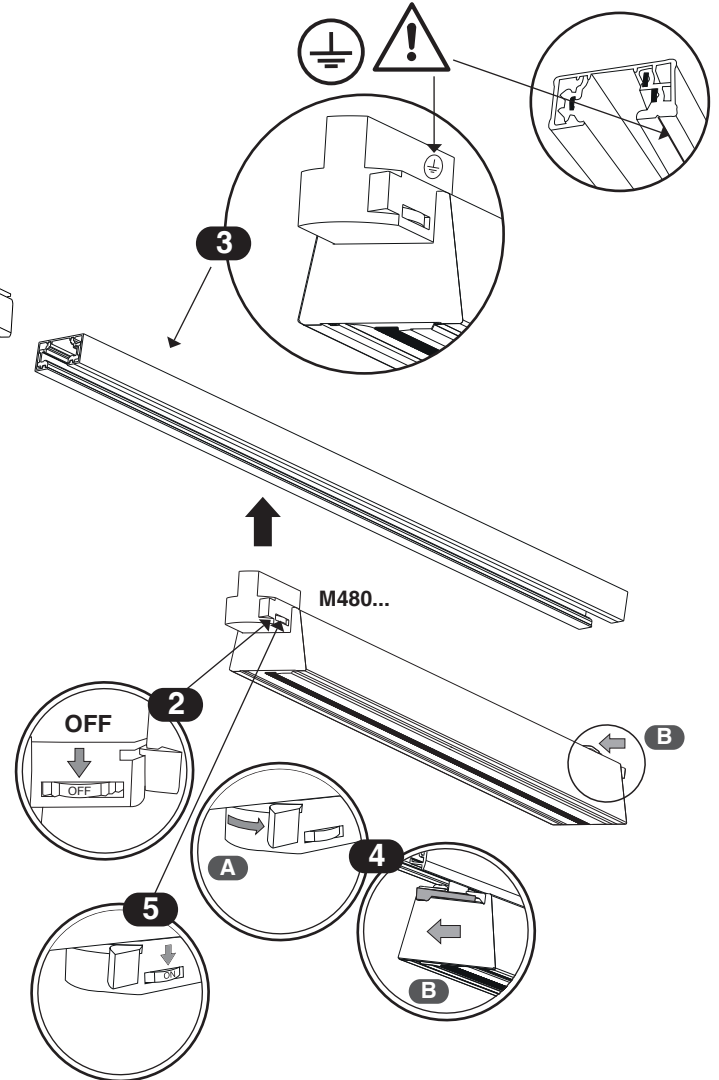
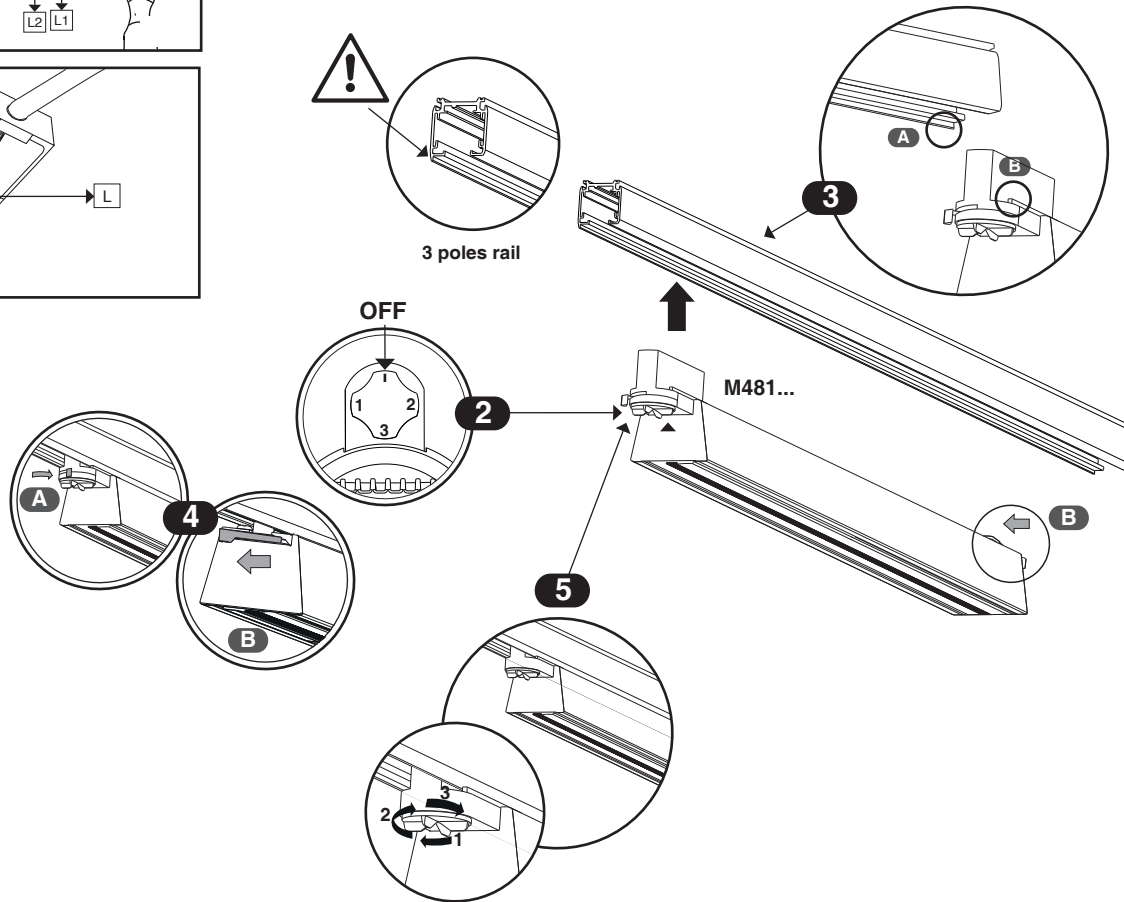
Guides A and B must not be aligned while connecting the adaptor to the 3 poles rail.



Single pole

3

Guide line and the earth table must be aligned while connecting the adaptor to the single pole rail.



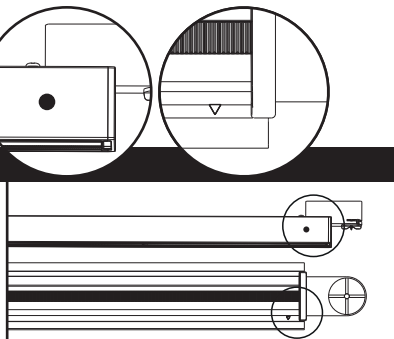
3 poles

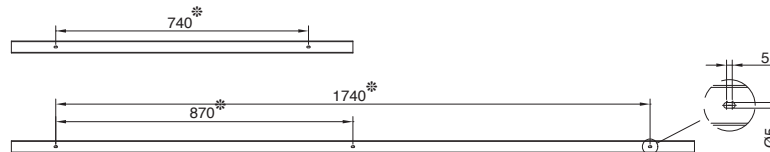
6

Select the desired phase by rotating the graded switch

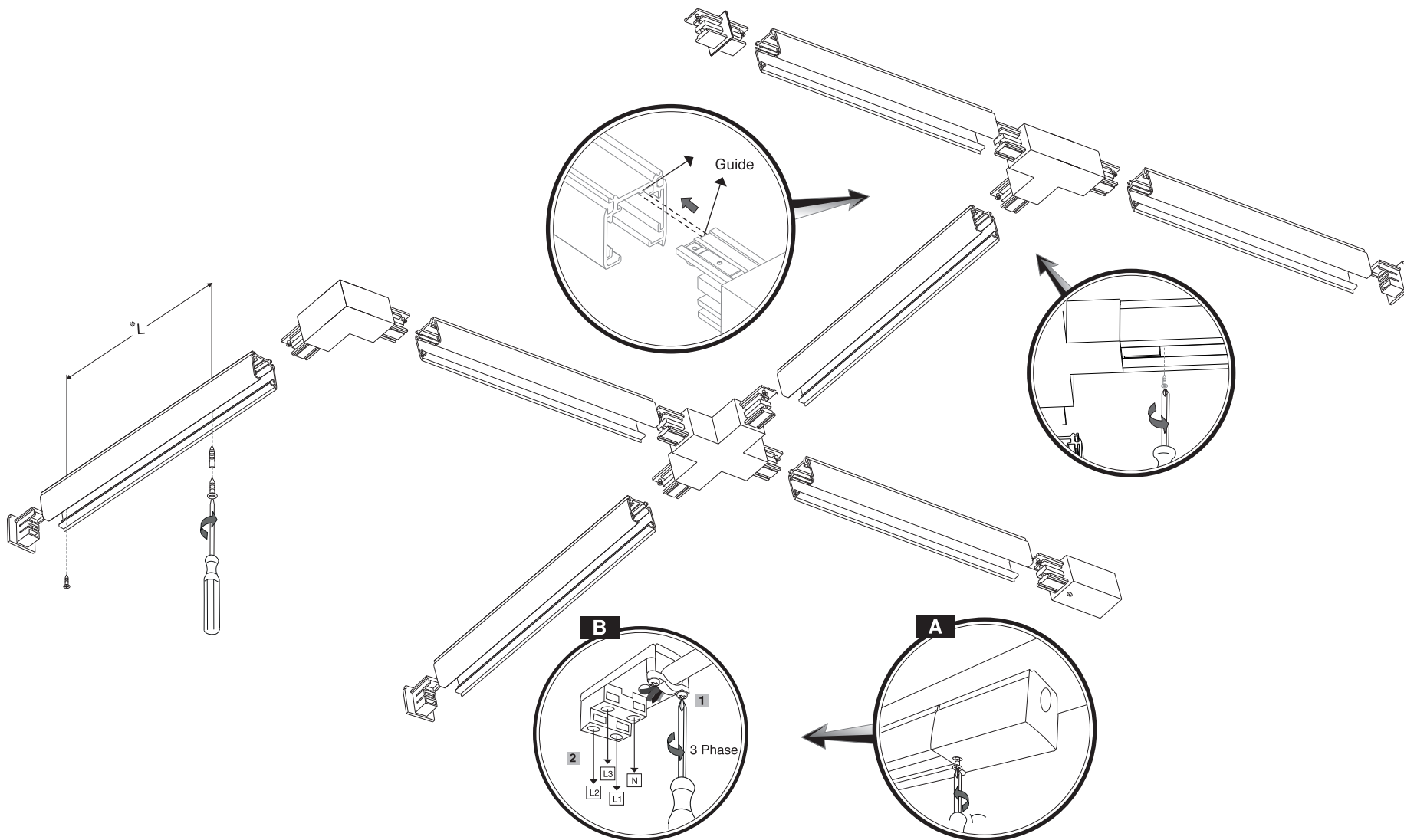
Attention!

Please pay attention to the lens installation green label on the body and marking guide when installing (M48...A...) models to the track. It is showing the direction of light distribution.



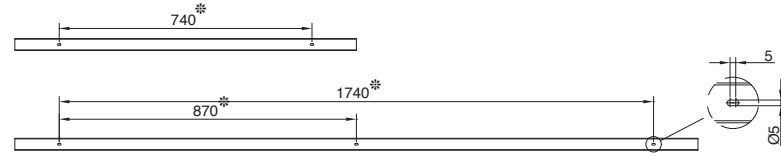


G460STRACKWR410-W
G460STRACKWR420-W

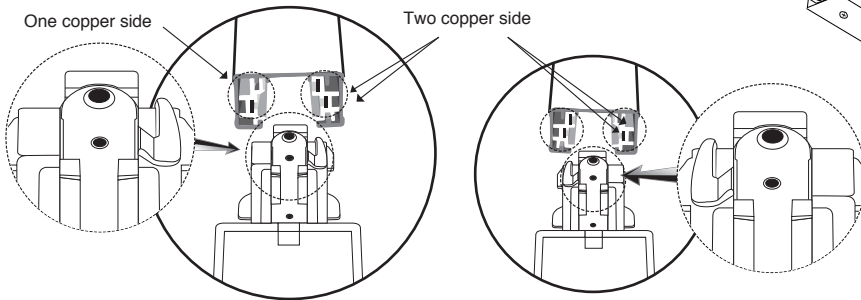
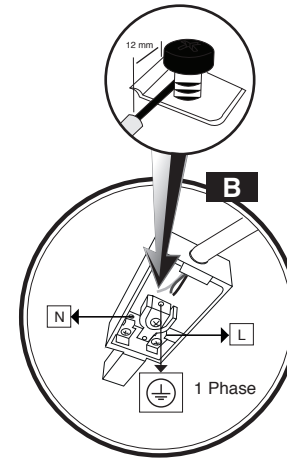
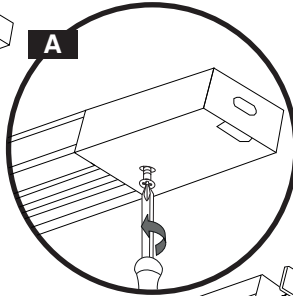
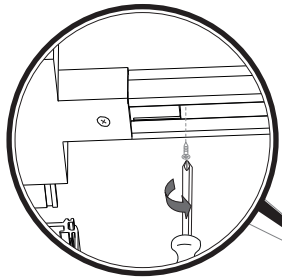


EN

Instruction for installation and utilization of surface mount single- pole track for **NOVATRON**, **LUMERIA** and **HONEY** track light



G464STRACKJBD100-W
G464STRACKJBD200-W



Grounding tab of the connector must be placed on the two copper side of the rail. ⚠

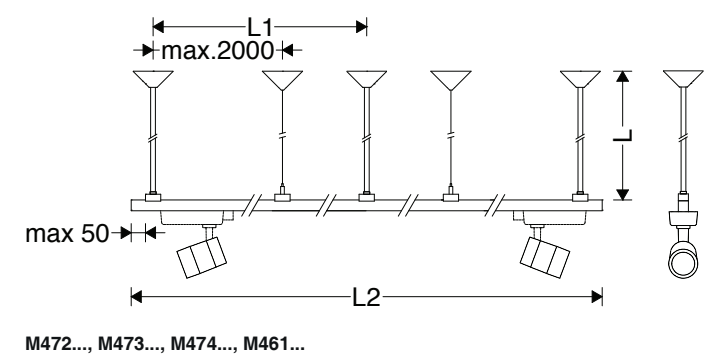
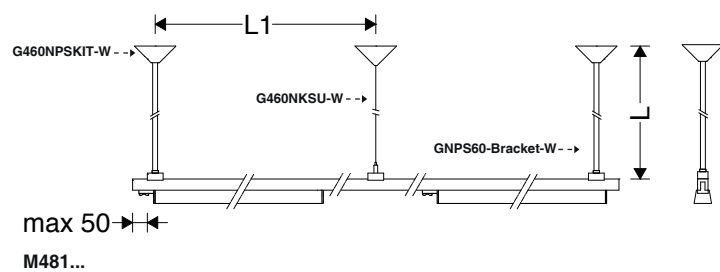
7002024005

www.megalite.com info@megalite.com

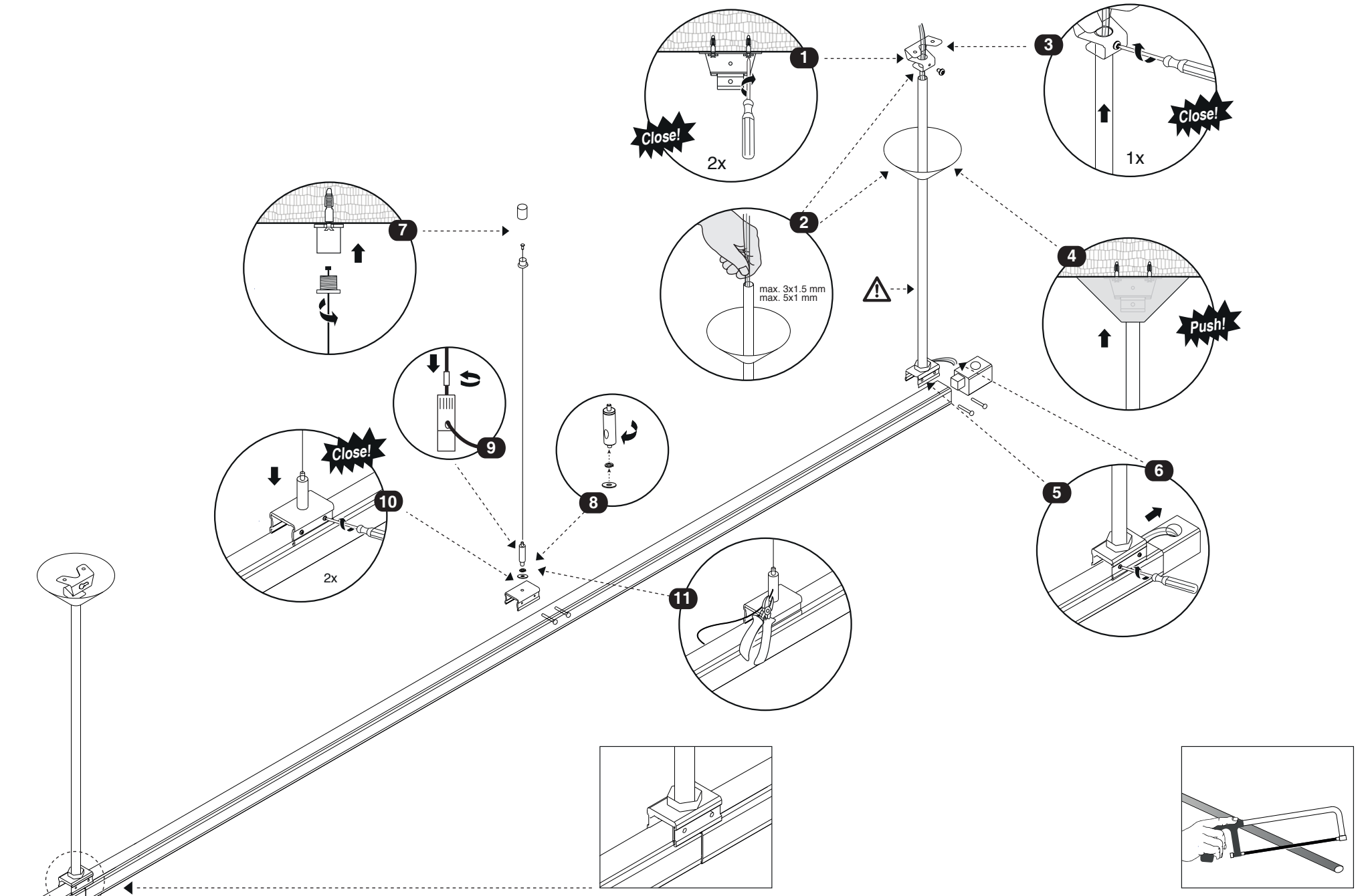


7002019807

www.megalite.com info@megalite.com



Cat. Code	L(mm)	L1(L2>8000)
G460NKSU	-	4000-6000
G460NPSKIT	-	4000-6000
GNPS60-Bracket	650 ±5	4000-6000
GNPS120-Bracket	1250 ±5	4000-6000



⚠ Attention: Brackets should be installed at the junction point of the tracks, for contineus versions.

⚠ Cut the pipe (NPS...-Bracket...) to adjust the installation Height of track