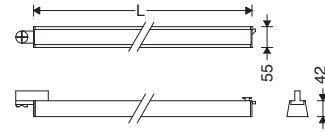


M480...

Cat. Code	L(mm)
M480D1202LED2840	1140
M480A1202LED2840	
M480DA1202LED2840	
M480W1202LED2840	
M480N1202LED2840	
M480D601LED2840	578
M480A601LED2840	
M480DA601LED2840	
M480W601LED2840	
M480N601LED2840	

Cat. Code
464STRACKPRO0310
464STRACKPRO0320
464RTRACKPROR310
464RTRACKPROR320



M481...

Cat. Code	L(mm)
M481D1202LED2840	1140
M481A1202LED2840	
M481DA1202LED2840	
M481W1202LED2840	
M481N1202LED2840	
M481D601LED2840	578
M481A601LED2840	
M481DA601LED2840	
M481W601LED2840	
M481N601LED2840	

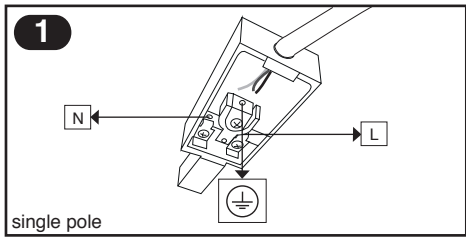
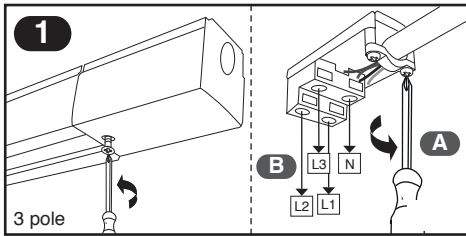
Cat. Code
460STRACKWR410
460STRACKWR420
460RTRACKWR410
460RTRACKWR420

EN Instruction for installation and utilization of **LUMERIA** linear track light LED luminaire

7002019403
www.megalite.com info@megalite.com



- 1 For proper utilization of this product and for safety, it is mandatory to closely comply with the directions and notes in this installation and maintenance guide.
- 2 Earth connection as provided is mandatory.
- 3 Do not directly touch or impact LED module.
- 4 Do not stare at LED light source.



3 poles

3

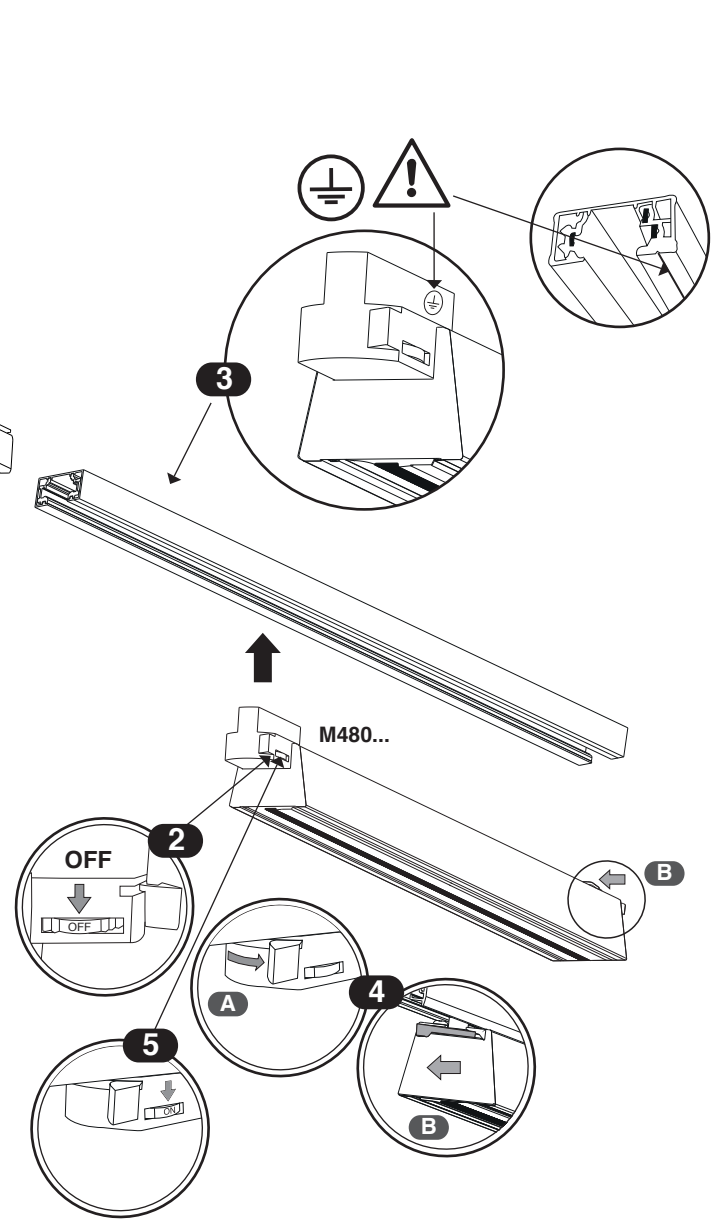
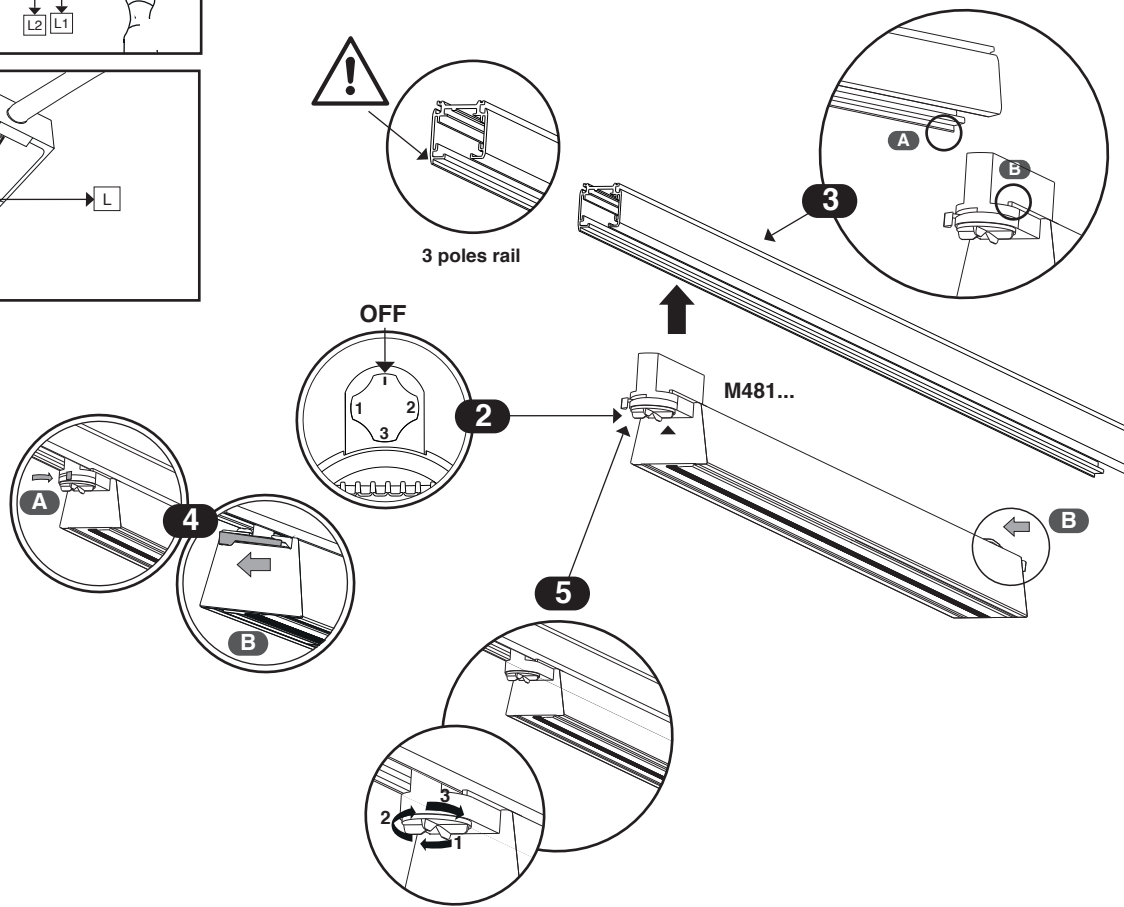
Guides A and B must not be aligned while connecting the adaptor to the 3 poles rail.



Single pole

3

Guide line and the earth cable must be aligned while connecting the adaptor to the single pole rail.



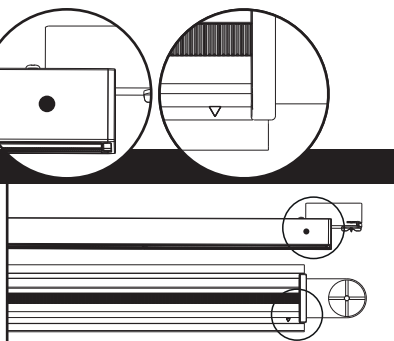
3 poles

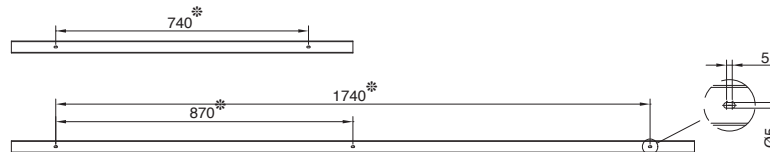
6

Select the desired phase by rotating the graded switch

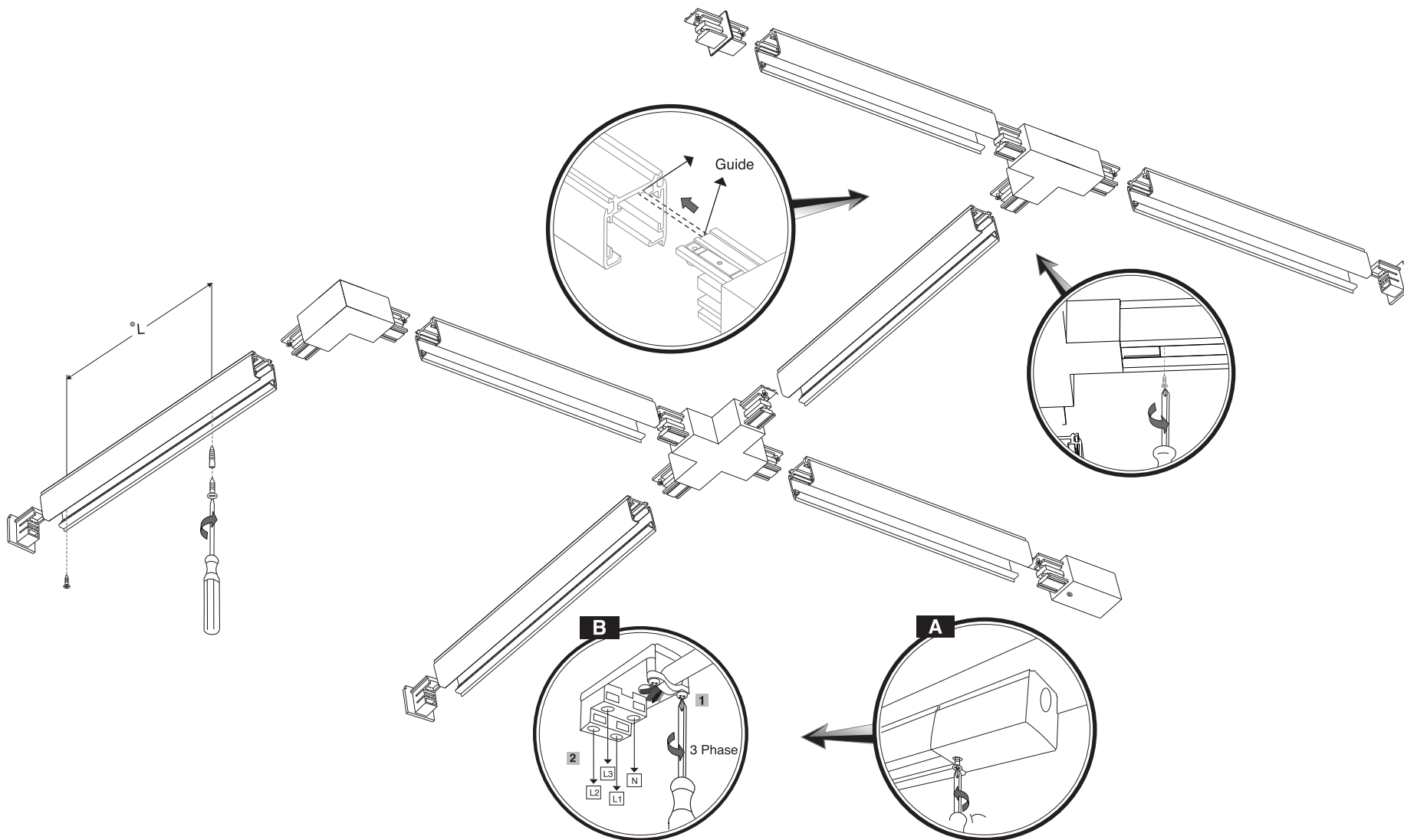
Attention!

Please pay attention to the lens installation green label on the body and marking guide when installing (M48...A...) models to the track. It is showing the direction of light distribution.

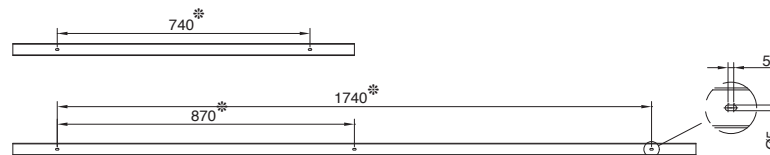




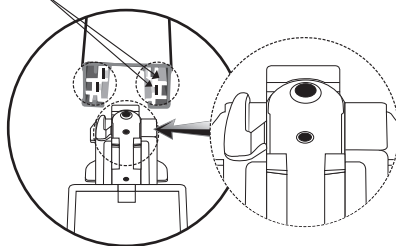
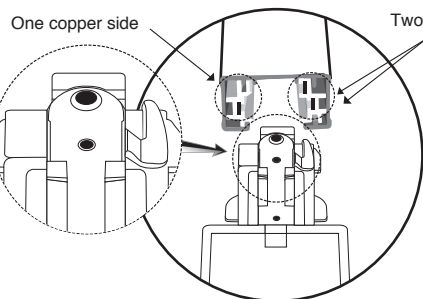
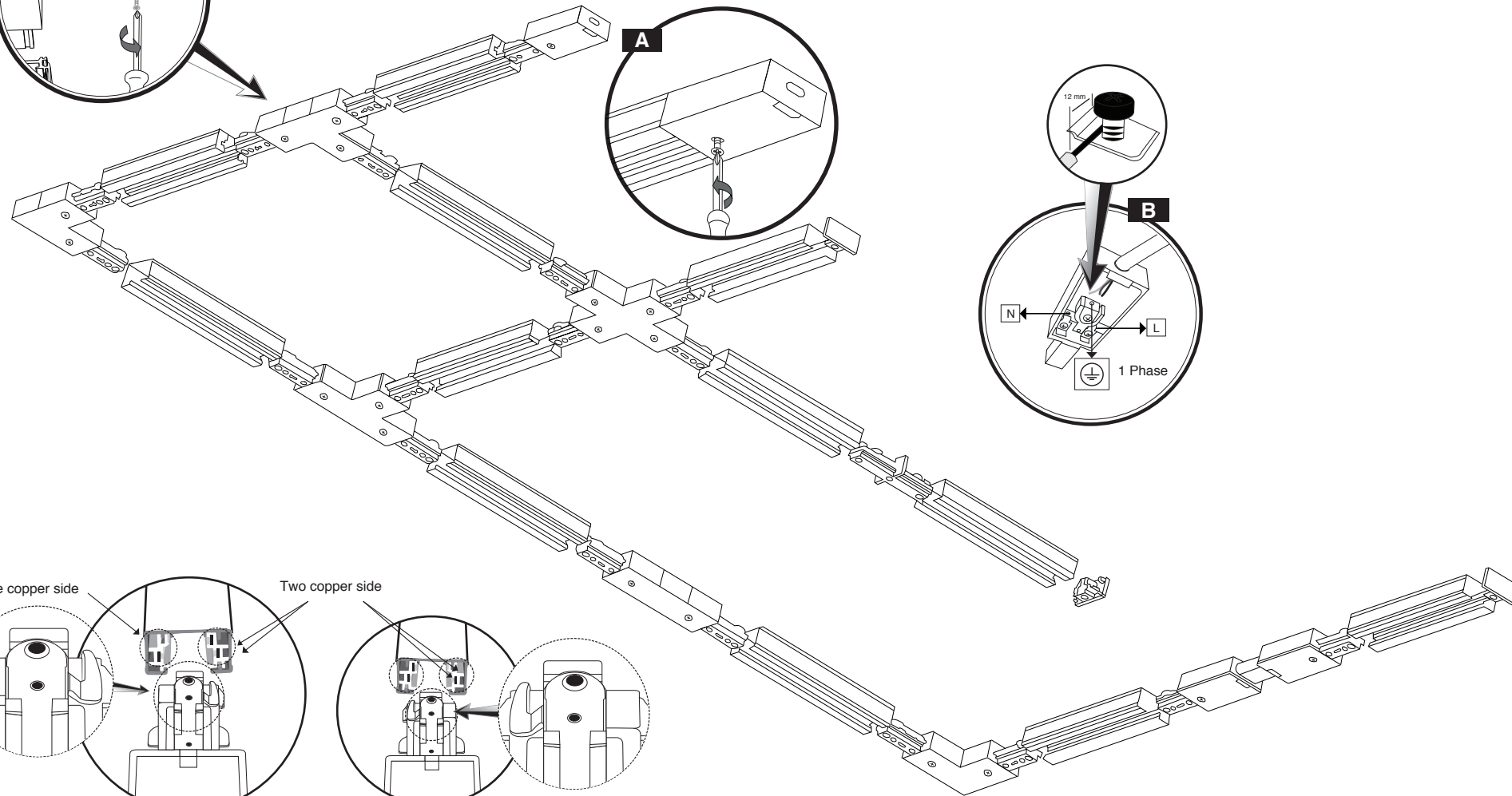
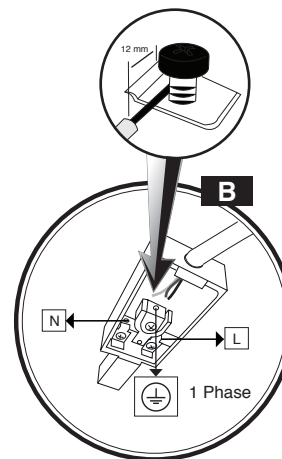
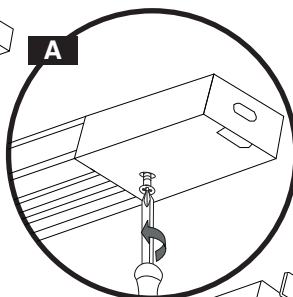
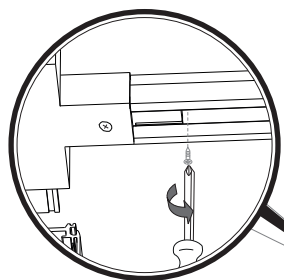
460STRACKWR410-W
460STRACKWR420-W



Instruction for installation and utilization of surface mount single- pole track for **NOVATRON, LUMERIA** and **HONEY** track light

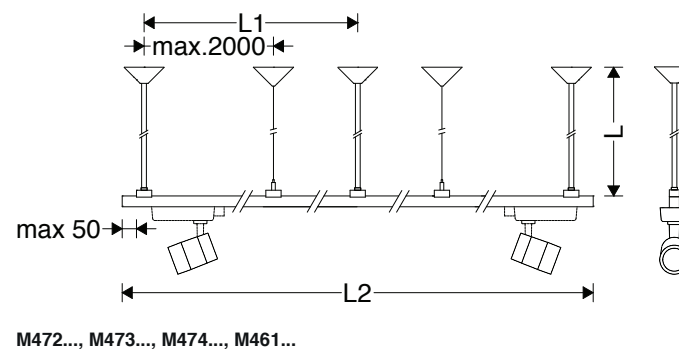
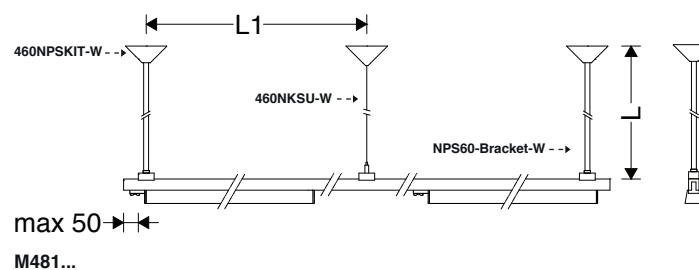


464STRACKJBD100-W
464STRACKJBD200-W



Grounding tab of the connector must be placed on the two copper side of the rail. ⚠

EN Instruction for installation and utilization of suspension bracket for **NOVATRON** and **LUMERIA** track light

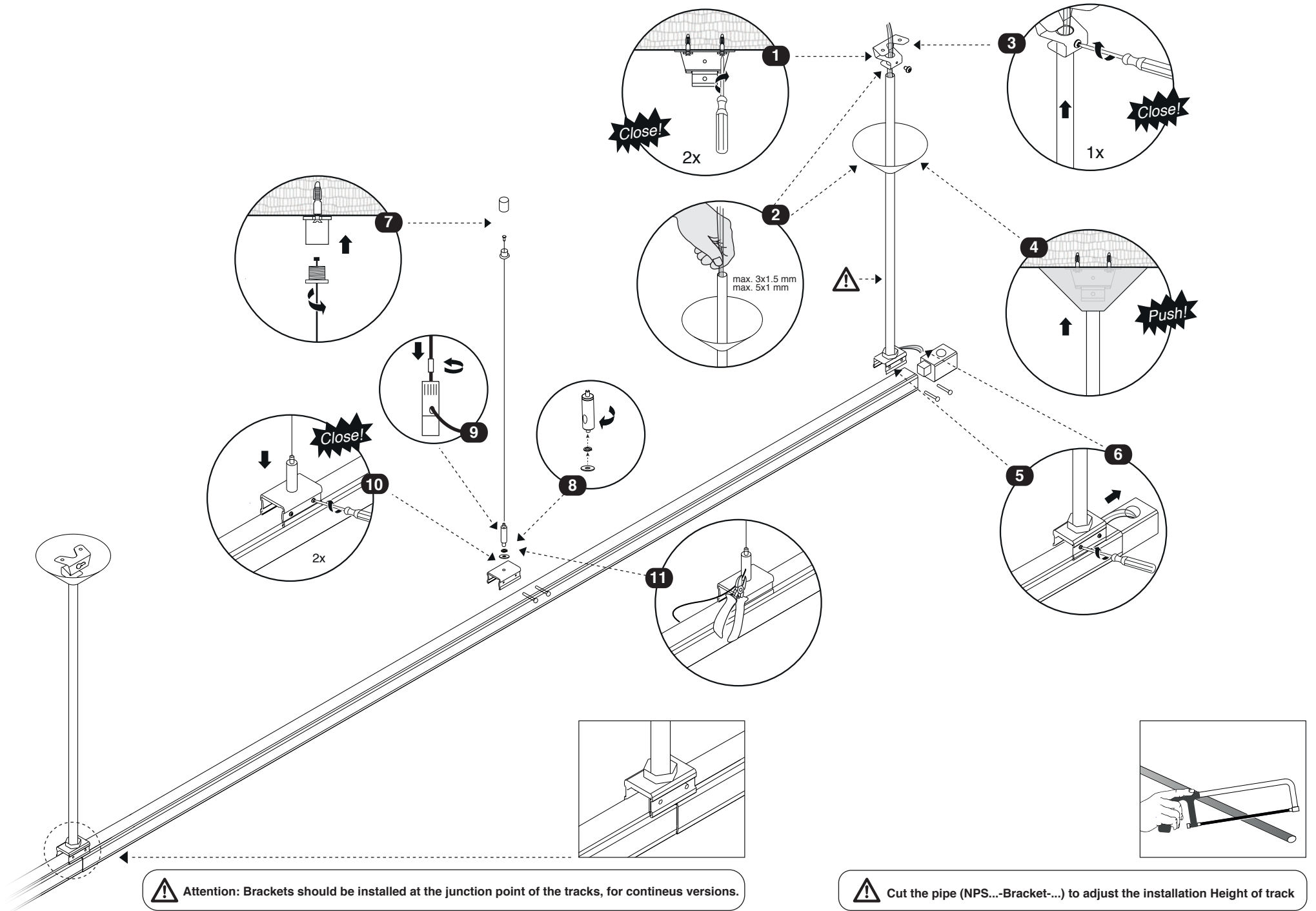


Cat. Code	L(mm)	L1(L2>8000)
460NKSU	-	4000-6000
460NPSKIT	-	4000-6000
NPS60-Bracket	650 ±5	4000-6000
NPS120-Bracket	1250 ±5	4000-6000

7002019805

www.megalite.com info@megalite.com





⚠ Attention: Brackets should be installed at the junction point of the tracks, for contineus versions.

⚠ Cut the pipe (NPS...-Bracket...) to adjust the installation Height of track