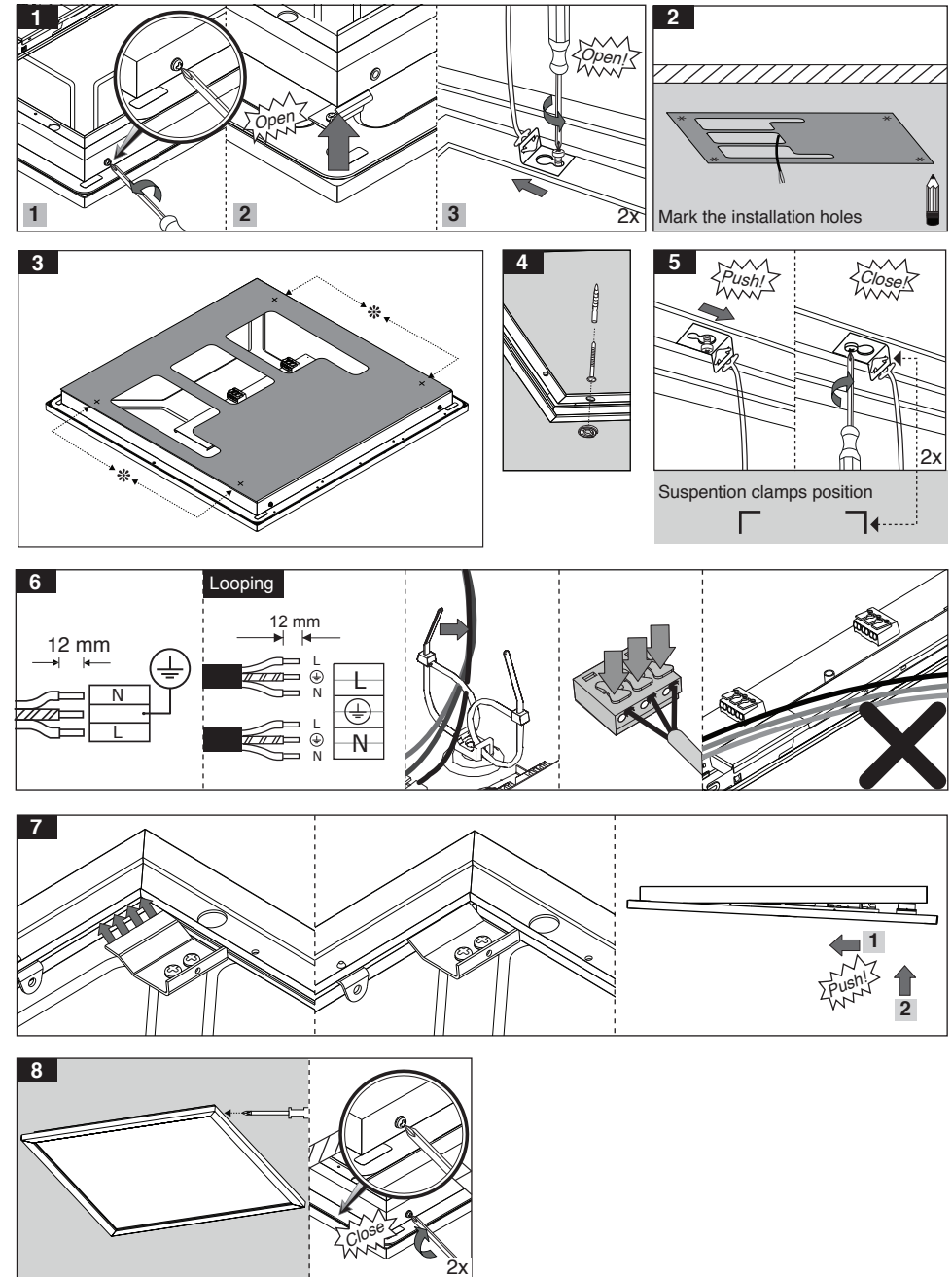
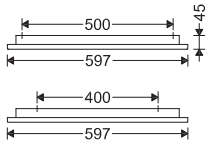



EN Instruction for installation and utilization of **LEDIUM LED** light panel for surface mount



Use the provided stencil tool within the carton to make holes (*) on ceilings.
NOTE: The holes on the stencil tool and the terminals on the luminaire must be in the same direction. (Figure 3)

-  1- For proper utilization of this product and safety, it is mandatory to closely comply with the directions and notes in this instruction and guide.
 2- Earth connection as provided is mandatory.
 3- Do not stare at LED light source.