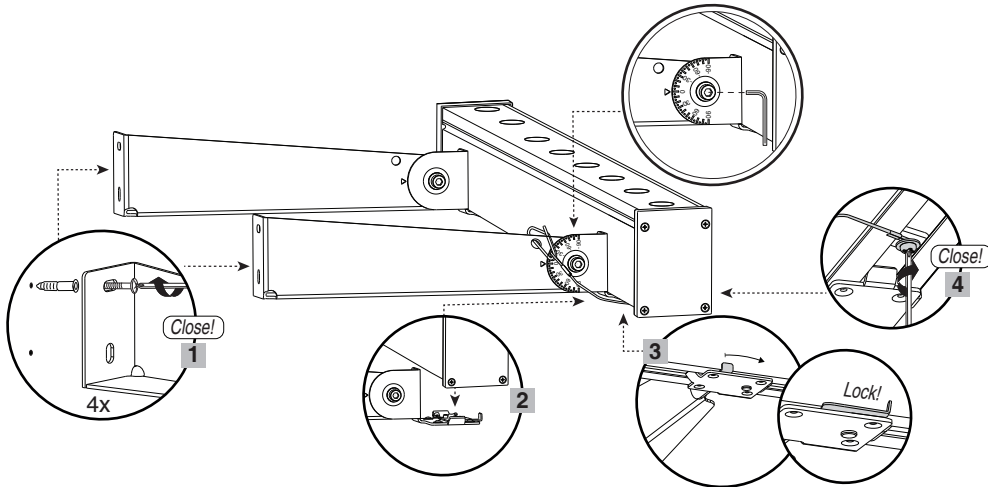
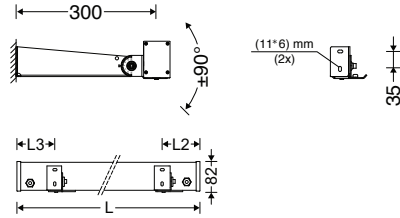


Wall mounting brackets

GWAL30-Bracket-S

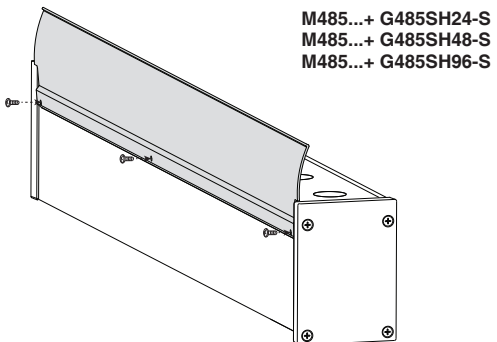
Cat. No.	L	L2	L3
M485...24LED...+GWAL30-Bracket-S	245	95	50
M485...48LED...+GWAL30-Bracket-S	485	120	120
M485...96LED...+GWAL30-Bracket-S	965	150	150



The number of luminaire for looping and positioning without distances in RGB models:

Length	Number
24 CM	13
48 CM	10
96 CM	5

Optional extruded aluminum shader in 24, 48 and 96 cm

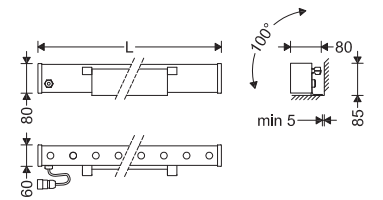


7002016419

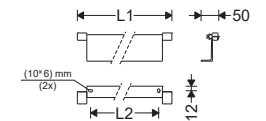
www.megalite.com info@megalite.com




Cat. No.	L	L1	L2	Bracket	#
M485N241LED...	245			GDMRC-18	1
M485V241LED...					
M485SN241LED...					
M485SV241LED...	485	-		GDMRC-19	1
M485N481LED...					
M485V481LED...					
M485SN481LED...	965				
M485SV481LED...					
M485N962LED...					
M485V962LED...	-				
M485SN962LED...					
M485SV962LED...					
GDMRC-18	-	110	30		
GDMRC-19	-	260	180		



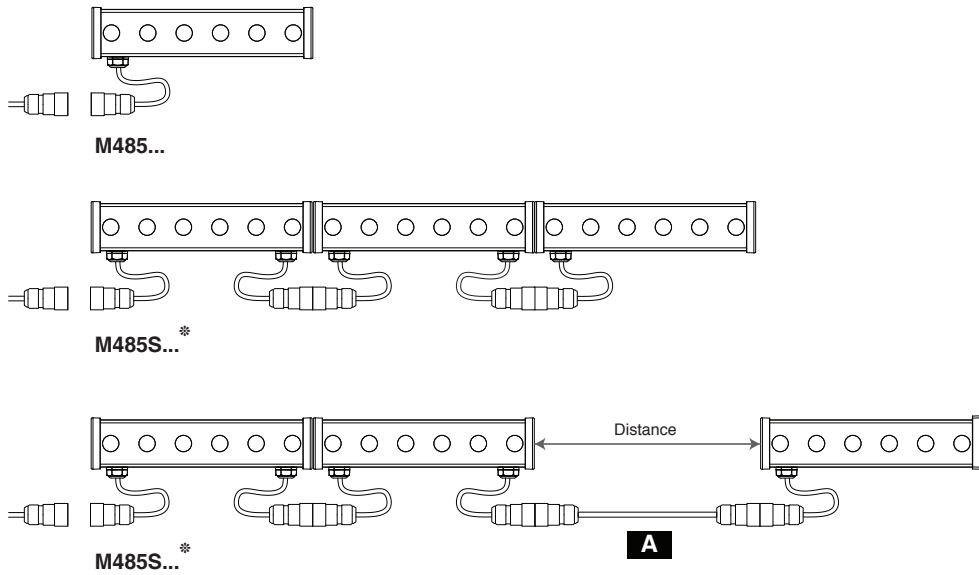
M485...



GDMRC...

-  1- For proper utilization of this product and safety, it is mandatory to closely comply with the directions and notes in this instruction and guide.
 2- Earth connection as provided is mandatory.
 3- Do not stare at LED light source.



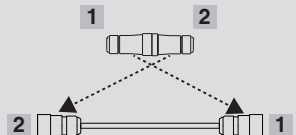


A

If the distance between two luminaires is more than the length of the luminaire cable, use the connector G485CJ4 for RGB and G485CJ3 for the other models as shown in the picture.

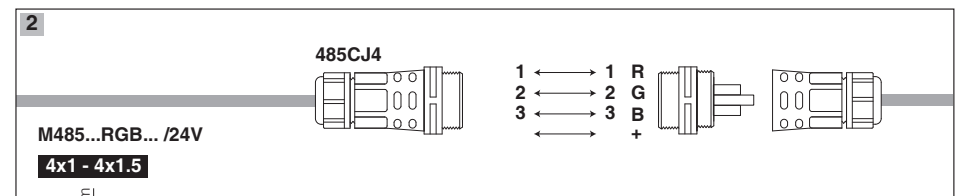
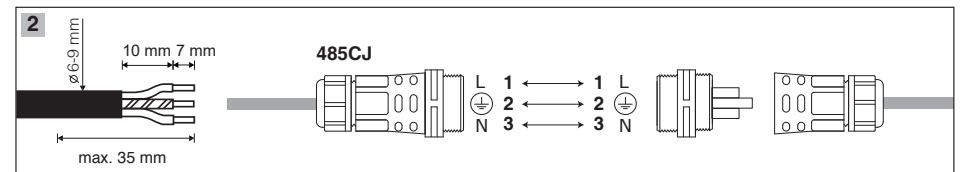
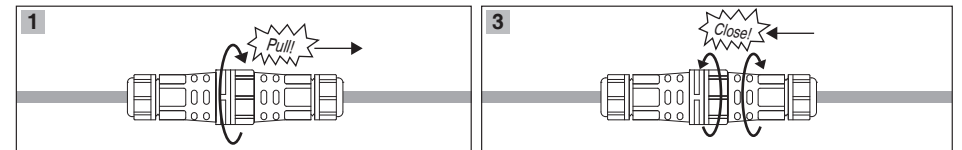
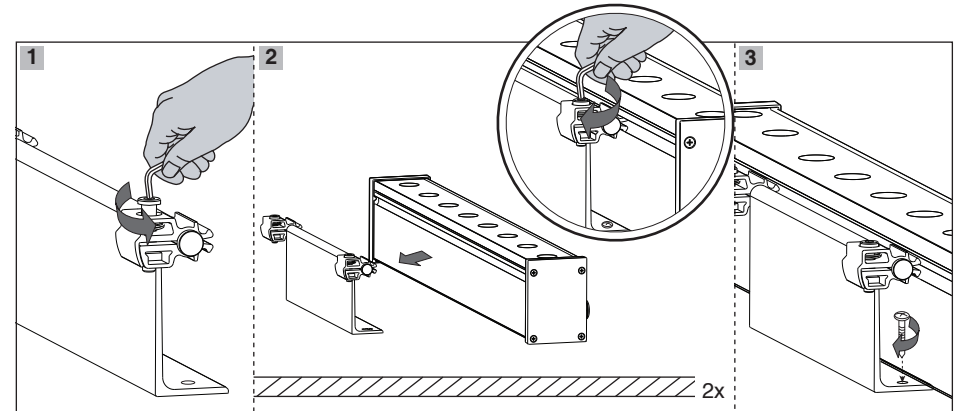
Cable information:

	Diameter	Size
RGB models	max: 10.5	4x1- 4x1.5 - 5x1
other models	max: 9.4	3x1-3x1.5

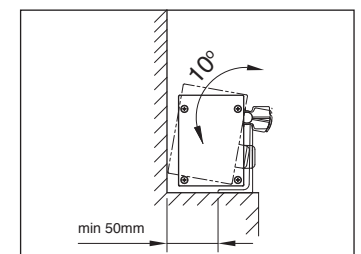


*The M485 version must be used instead of M485S at the end of the line in case of continuously mounting and also its socket is used to connect to power.

The LEDiLINE luminaires with 24cm length should not be continuously mounted along with other versions due to different lumen package.



Note: After cable connection, make sure that all parts of the socket and plug are completely closed.



Angle adjustment