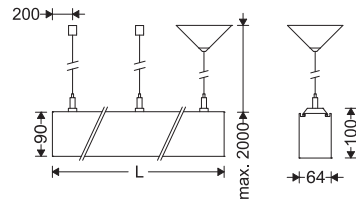


Cat. No	L	Number of installation kit
M440E601LED2AF...	580	2
M440E902LED2AF...	860	2
M440E1152LED2AF...	1140	2
M440E1453LED2AF...	1425	2
M440E1703LED2AF...	1705	2
M440E2004LED2AF...	1985	3
M440E2304LED2AF...	2265	3



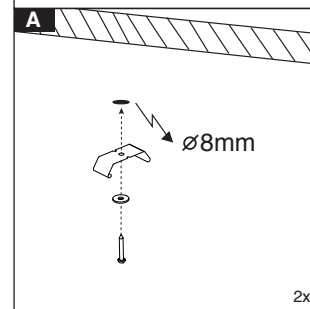
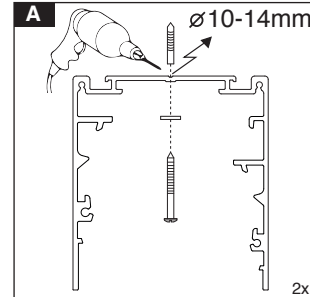
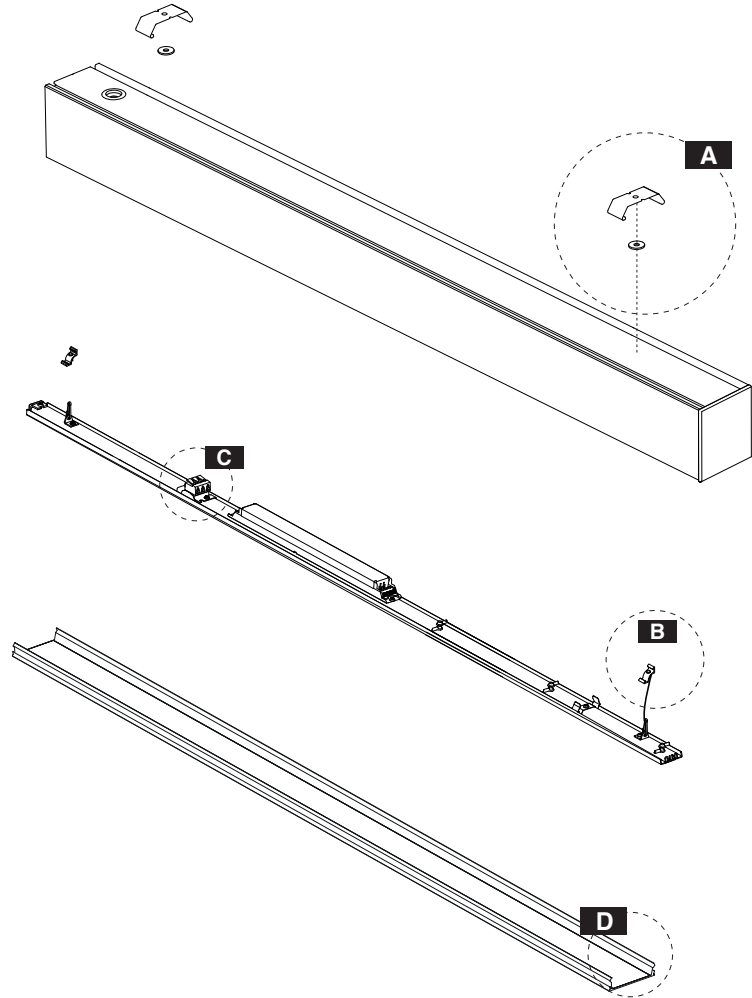
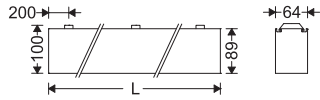
7002016007

www.megalite.com info@megalite.com

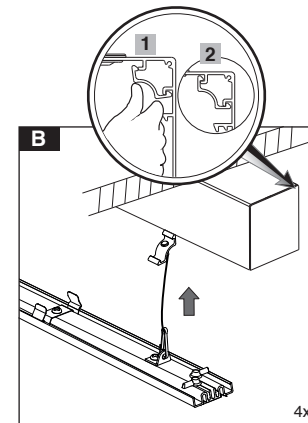
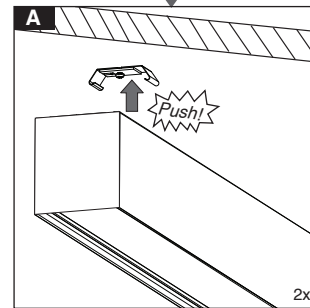


- 1- For proper utilization of this product and for safety, it is mandatory to closely comply with the directions and notes in this installation and maintenance guide.
- 2- Earth connection as provided is mandatory.
- 3- Do not directly touch or impact LED module.
- 4- Do not stare at LED light source.

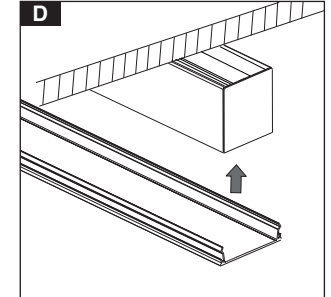
Cat. No	L	Number of installation bracket
M440E601LED2AF...	580	2
M440E902LED2AF...	860	2
M440E1152LED2AF...	1140	2
M440E1453LED2AF...	1425	2
M440E1703LED2AF...	1705	2
M440E2004LED2AF...	1985	3
M440E2304LED2AF...	2265	3



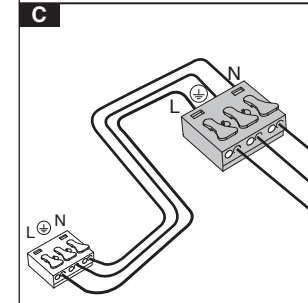
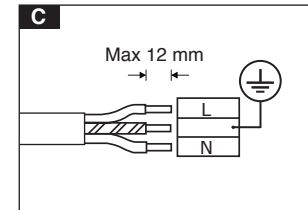
440CKSF  
Mounting brackets



Gear tray suspension



Diffuser mounting



Gear tray to housing terminal wiring

7002014805

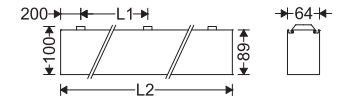
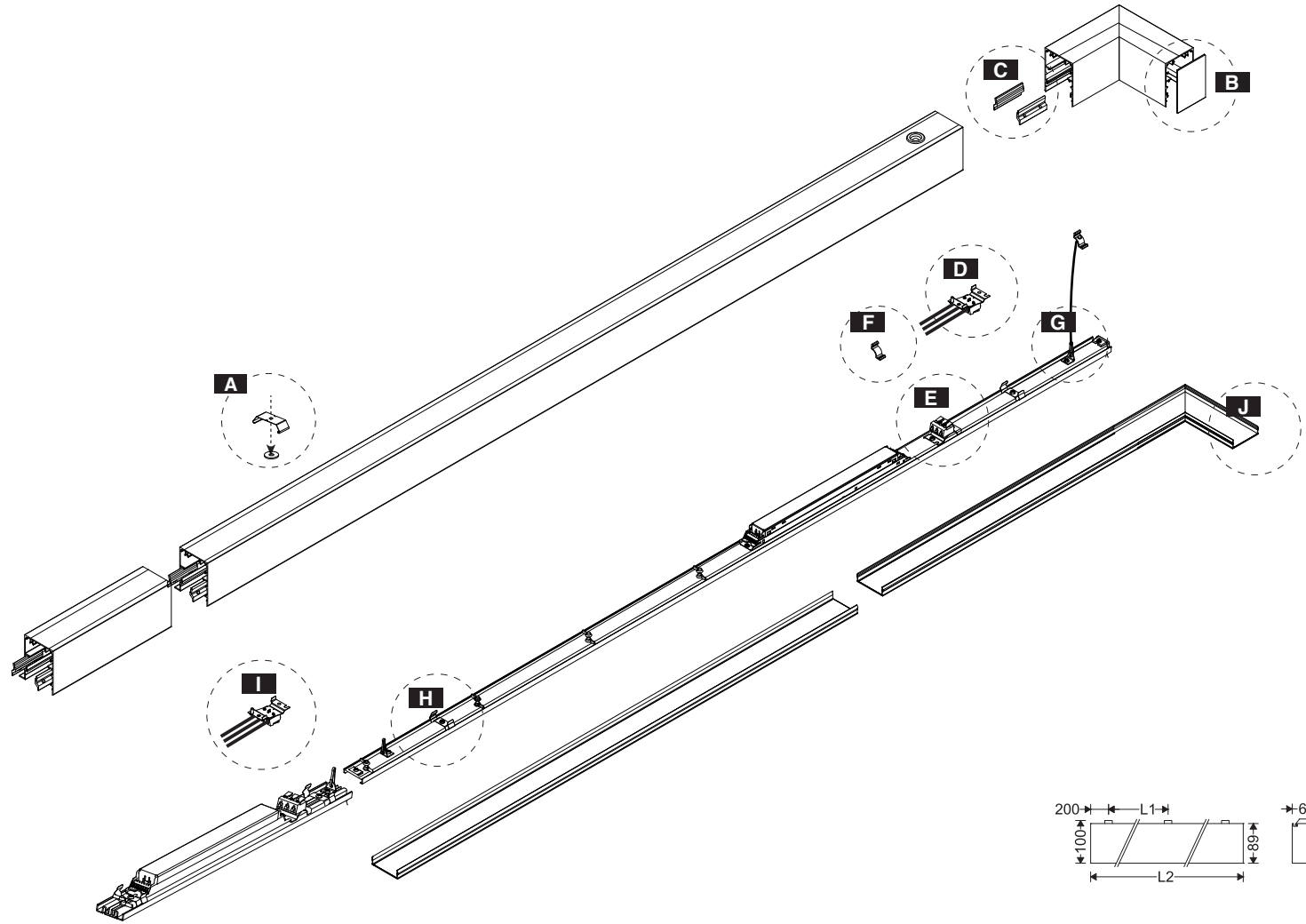
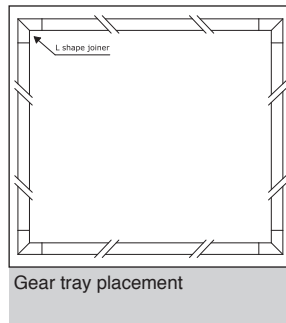
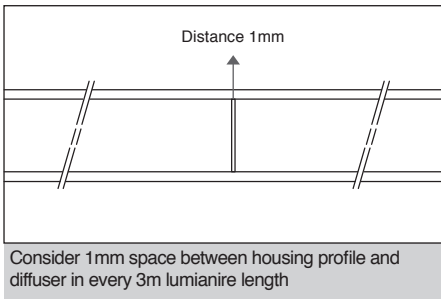
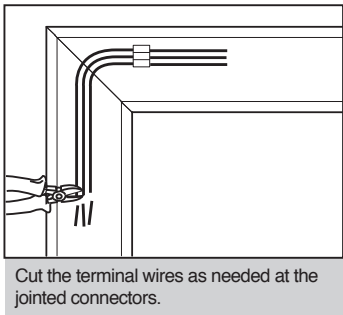
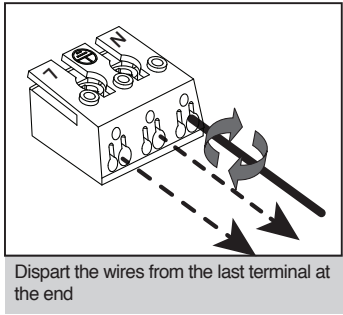
www.megalite.com info@megalite.com



- 1- For proper utilization of this product and for safety, it is mandatory to closely comply with the directions and notes in this installation and maintenance guide.
- 2- Earth connection as provided is mandatory.
- 3- Do not directly touch or impact LED module.
- 4- Do not stare at LED light source.



**Attention!**



$$N = (L2 / L1) + 1$$

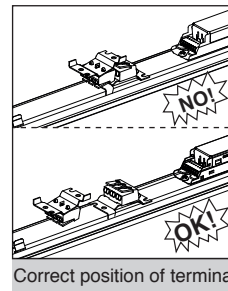
$$L1 = 1200 - 1800$$

$$L3 = \text{MIN.} = 200 / \text{MAX.} = L1 / 2$$

Example:  $L2 = 10000, L1 = 1500 \rightarrow N = \frac{10000}{1500} = 6,666$

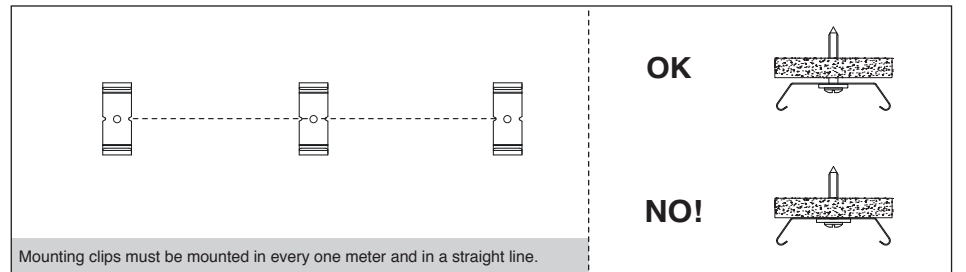
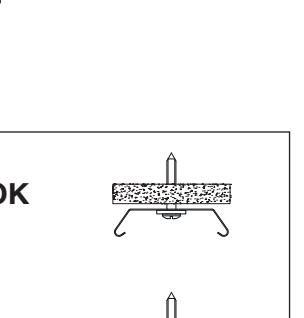
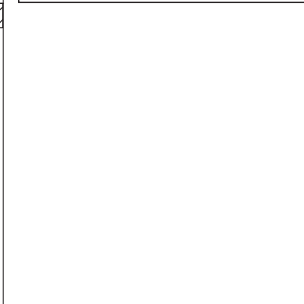
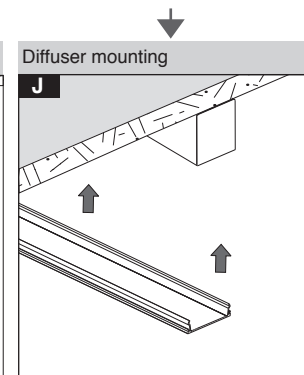
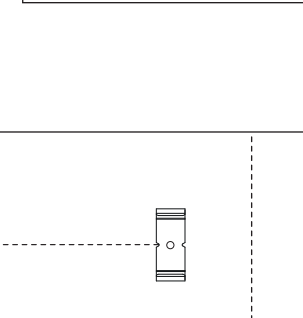
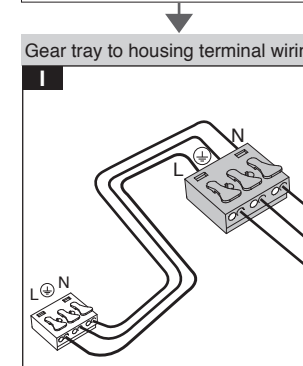
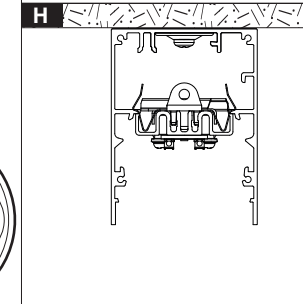
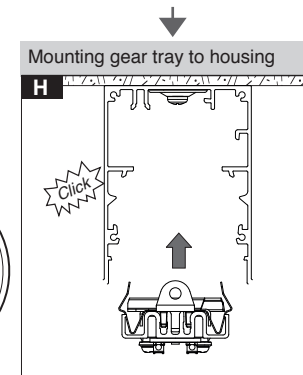
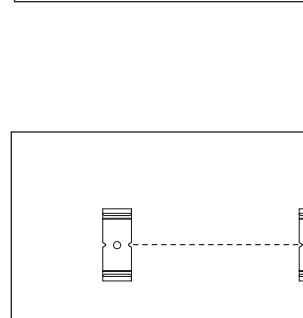
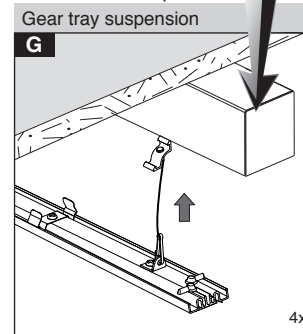
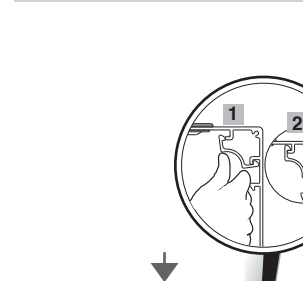
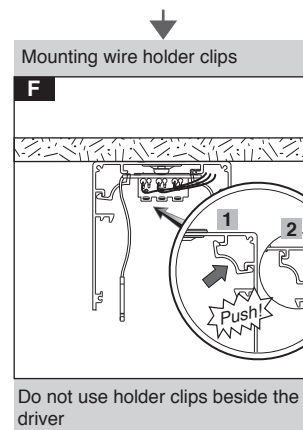
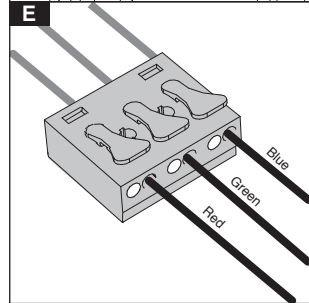
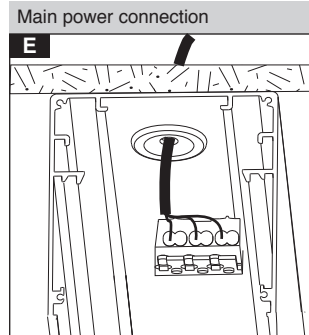
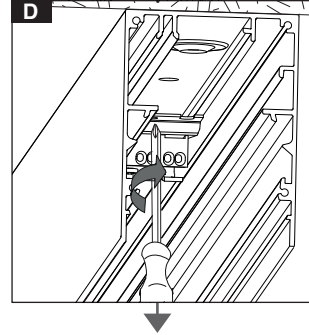
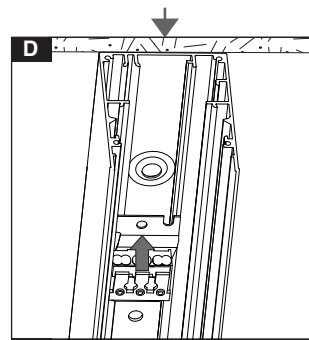
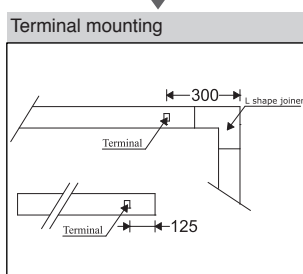
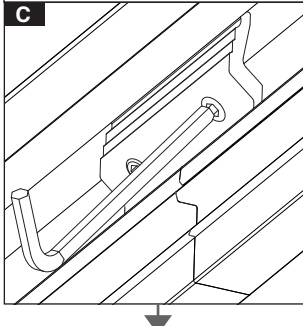
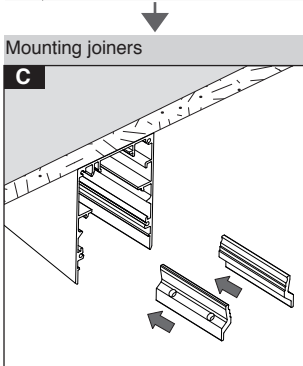
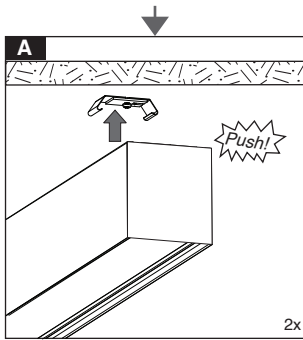
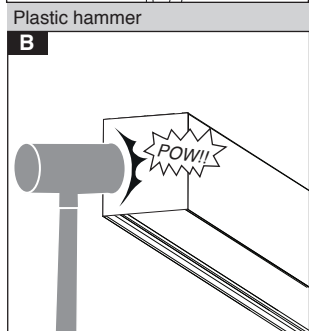
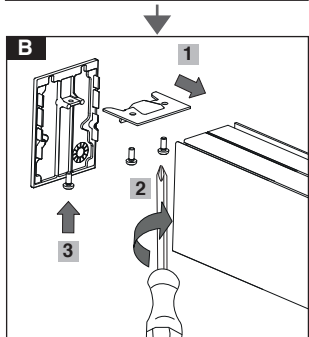
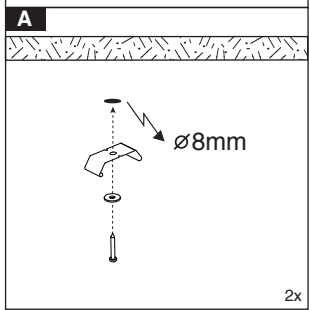
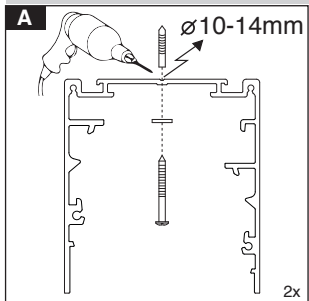
$$L3 = (0.666 * 1500) / 2 = 250\text{mm}$$

Number of Installation Kit & bracket:  $1 + 6 = 7$



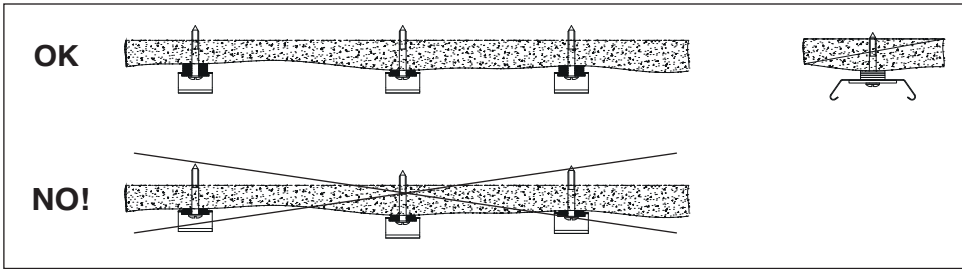
While mounting the terminal to the housing of luminaire, be notified that it must not be placed across from the mounted terminal and driver on the gear tray.

**440CKSF**  
Mounting brackets

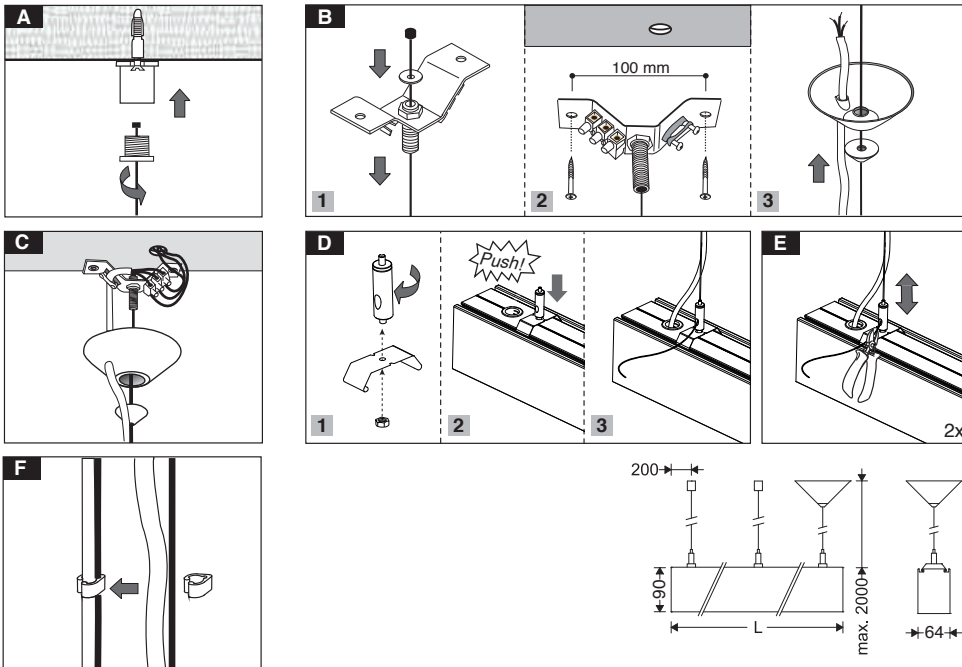


Mounting clips must be mounted in every one meter and in a straight line.

Uneven ceiling



440CKSU...



$$N = (L2 / L1) + 1$$

$$L1 = 1200 - 1800$$

$$L3 = \text{MIN.} = 200 / \text{MAX.} = L1 / 2$$

Example:  $L2 = 10000, L1 = 1500 \rightarrow N = \frac{10000}{1500} = 6.666$

$$L3 = (0.666 * 1500) / 2 = 250\text{mm}$$

Number of Installation Kit:  $1 + 6 = 7$

7002015502

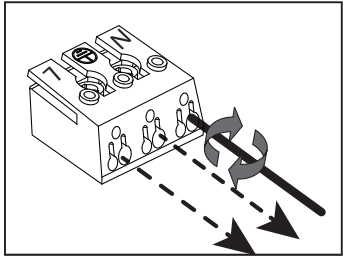
www.megalite.com info@megalite.com



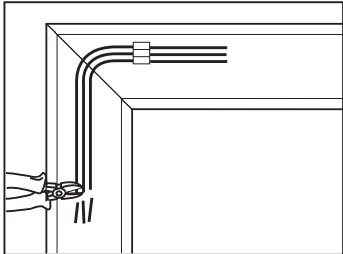
- 1- For proper utilization of this product and for safety, it is mandatory to closely comply with the directions and notes in this installation and maintenance guide.
- 2- Earth connection as provided is mandatory.
- 3- Do not directly touch or impact LED module.
- 4- Do not stare at LED light source.



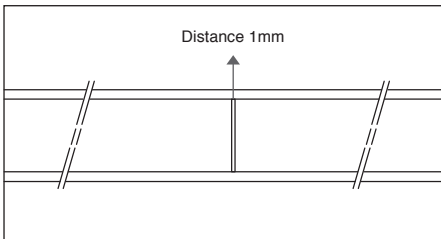
**Attention!**



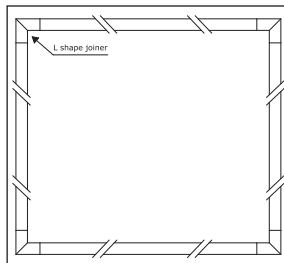
Dispart the wires from the last terminal at the end



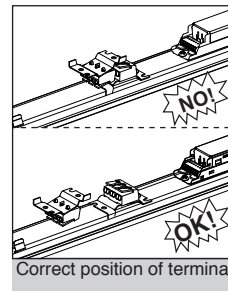
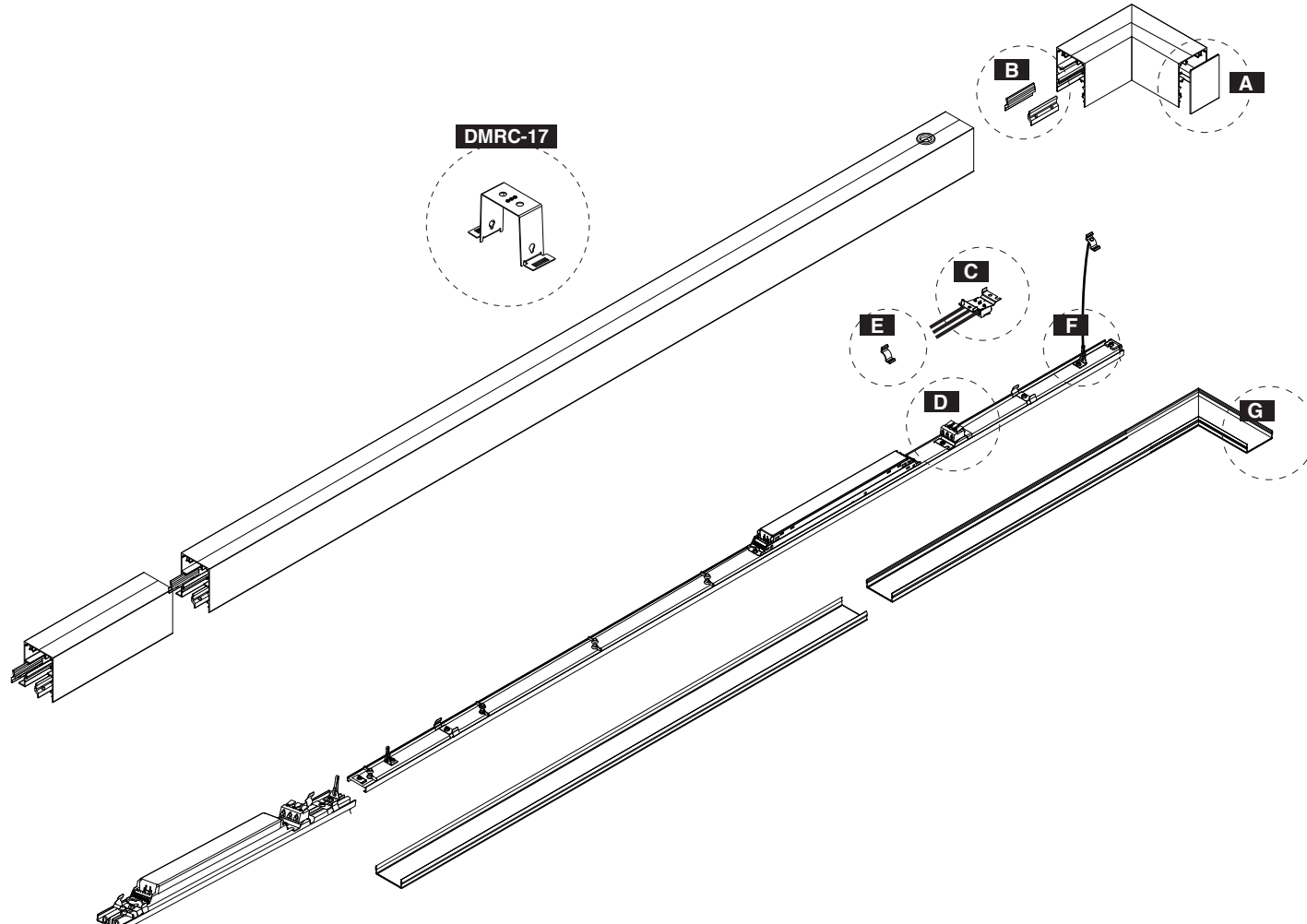
Cut the terminal wires as needed at the jointed connectors.



Consider 1mm space between housing profile and diffuser in every 3m luminaire length



Gear tray placement



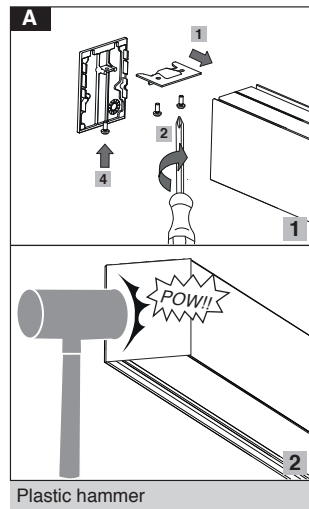
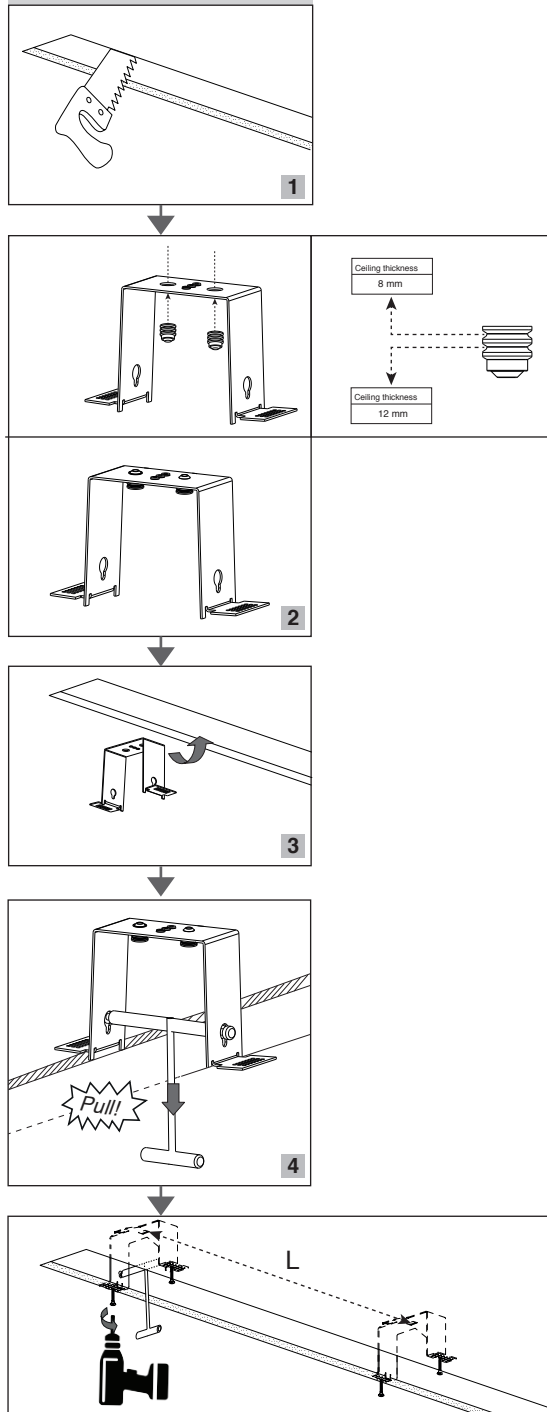
Correct position of terminal



While mounting the terminal to the housing of luminaire, be notified that it must not be placed across from the mounted terminal and driver on the gear tray.

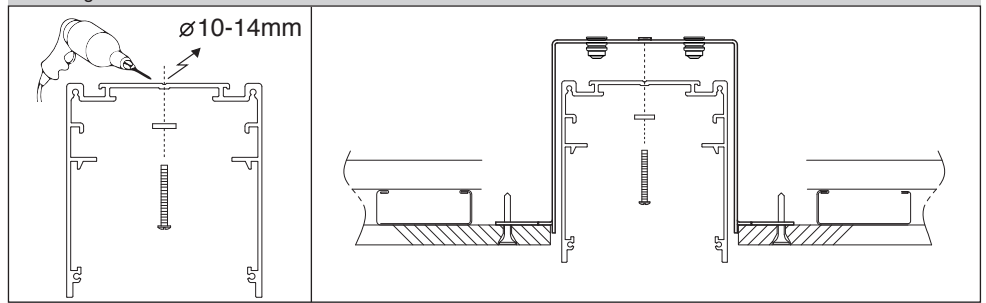


**DMRC-17**

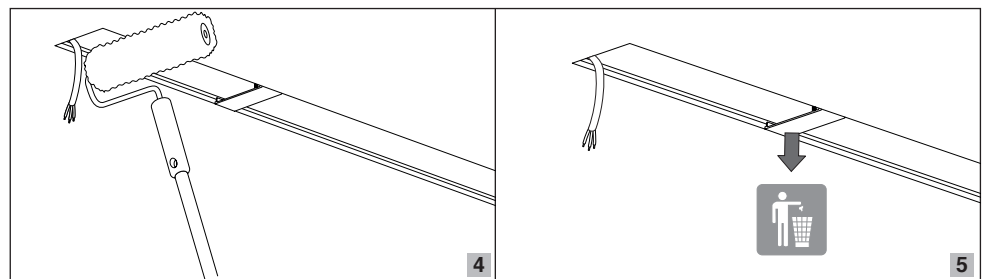
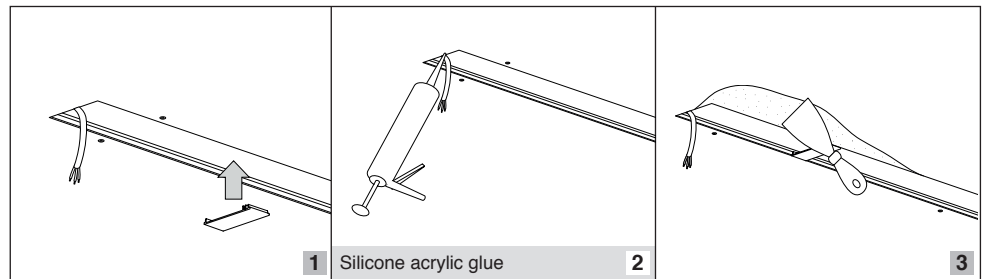
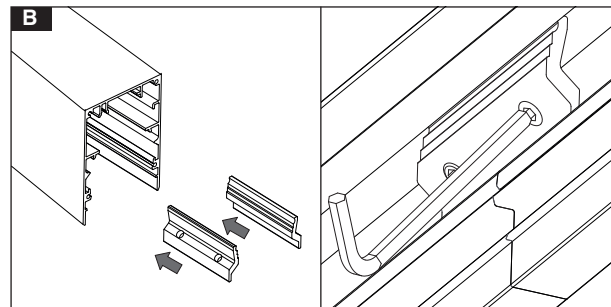


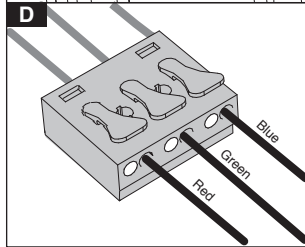
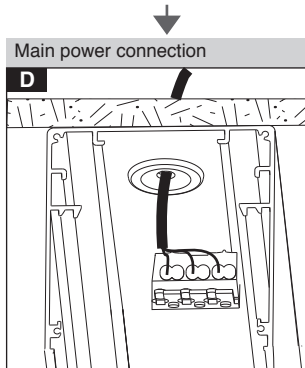
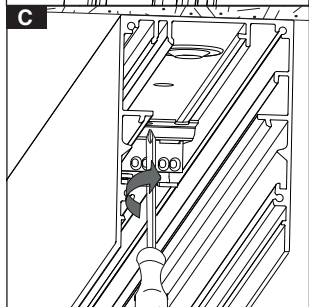
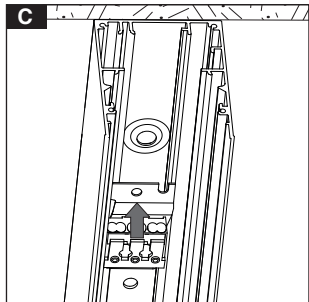
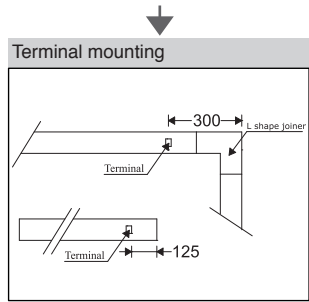
Plastic hammer

**Mounting the luminaire**

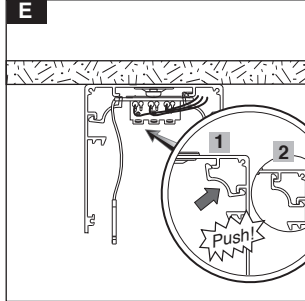


Distance= L





**Mounting wire holder clips**



**Gear tray suspension**

