

7002013712

www.megalite.com info@megalite.com

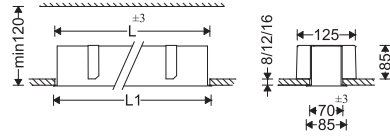


- 1- For proper utilization of this product and for safety, it is mandatory to closely comply with the directions and notes in this installation and maintenance guide.
- 2- Earth connection as provided is mandatory.
- 3- Do not directly touch or impact LED module.
- 4- Do not stare at LED light source.

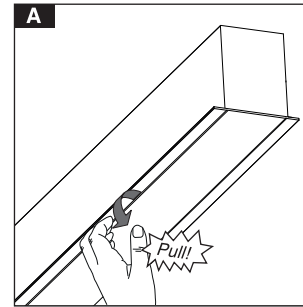
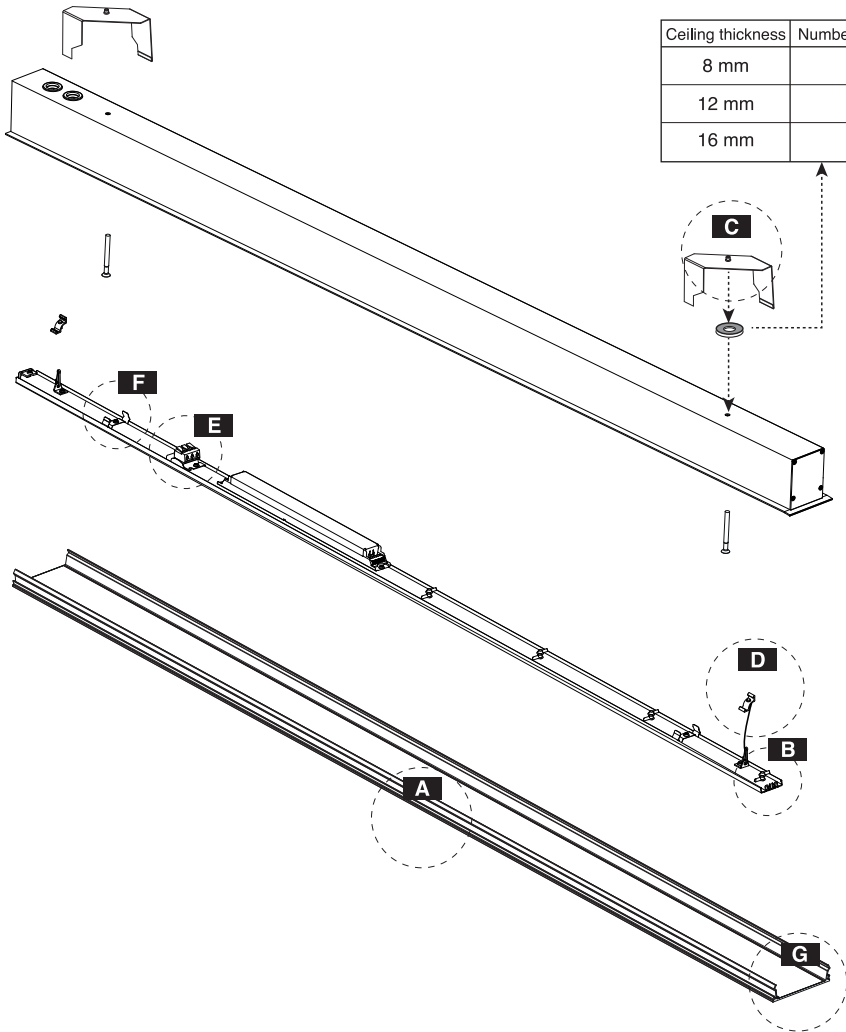
$\pm 3$   $\pm 3$   
70 x L



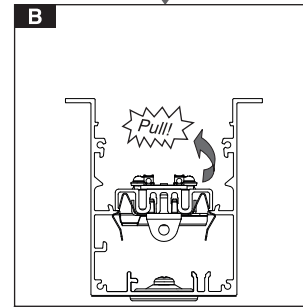
Cat. No	L	L1	Number of installation bracket
M440D601LED2AF...	576	590	2
M440D902LED2AF...	856	870	2
M440D1152LED2AF...	1136	1150	2
M440D1453LED2AF...	1418	1430	2
M440D1703LED2AF...	1696	1710	2
M440D2004LED2AF...	1978	1995	3
M440D2304LED2AF...	2270	2285	3



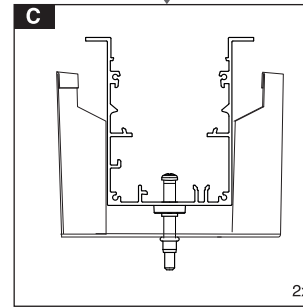
Ceiling thickness	Number of washers
8 mm	0
12 mm	1
16 mm	2



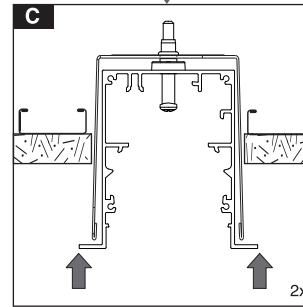
Detach the diffuser



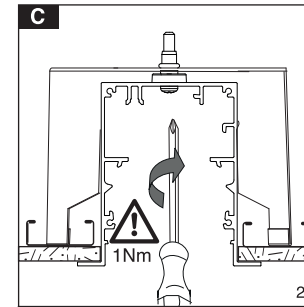
Detach the gear tray



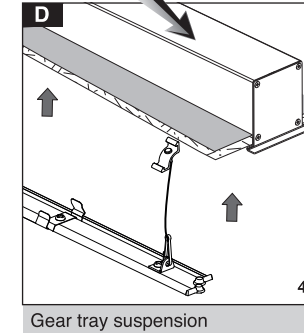
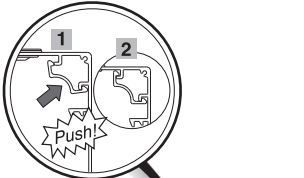
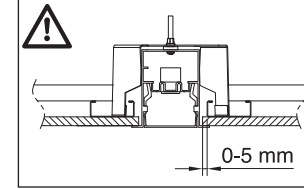
Gear tray suspension



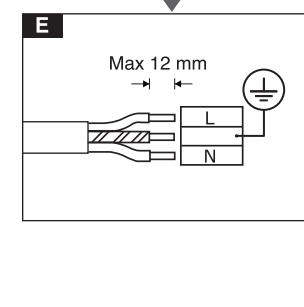
Mounting brackets



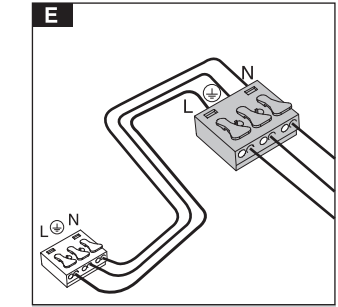
Mounting brackets



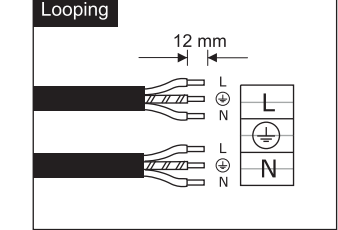
Gear tray suspension



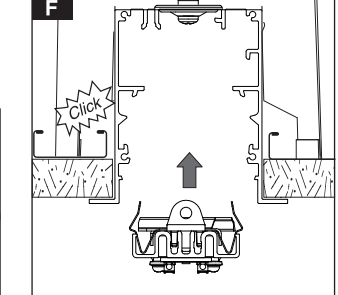
Diffuser mounting



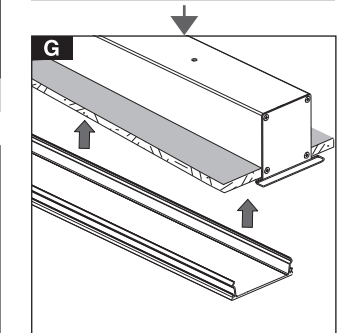
Gear tray to housing terminal wiring



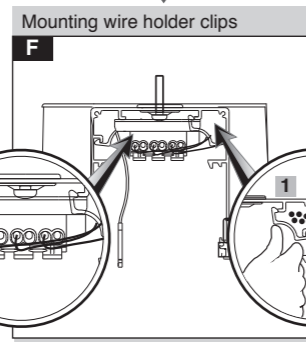
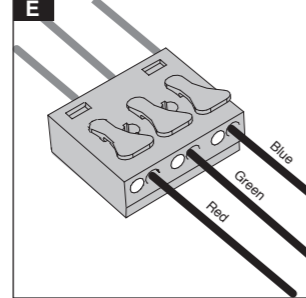
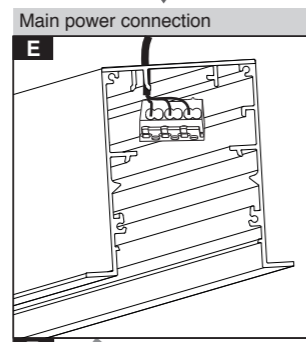
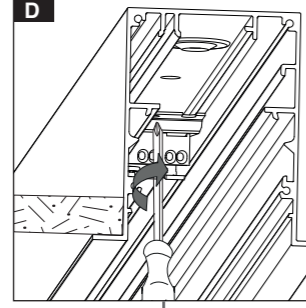
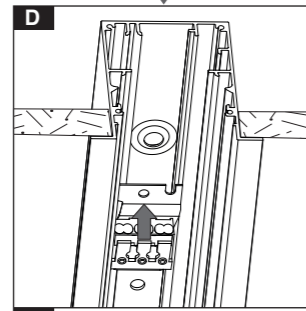
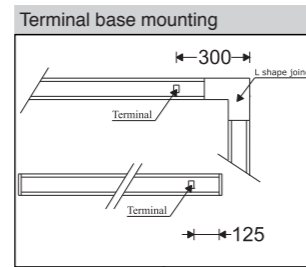
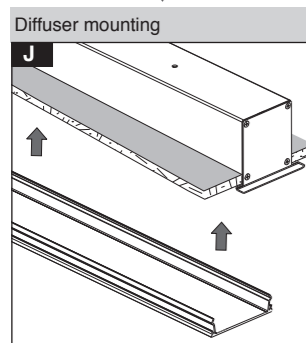
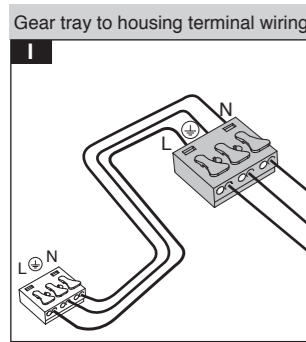
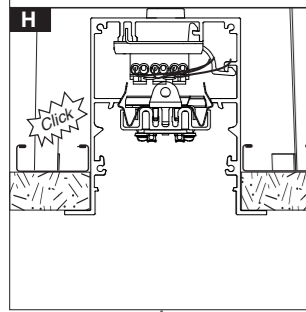
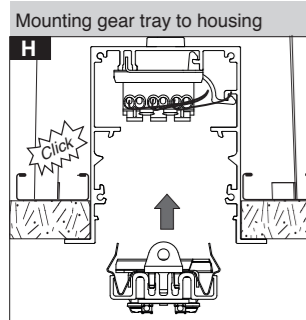
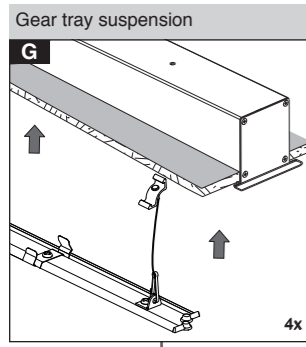
Looping



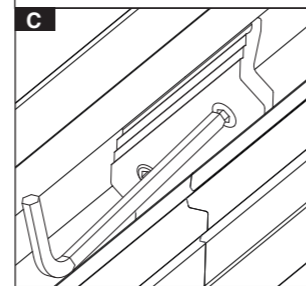
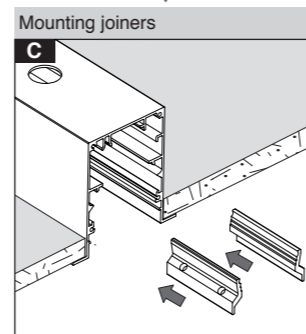
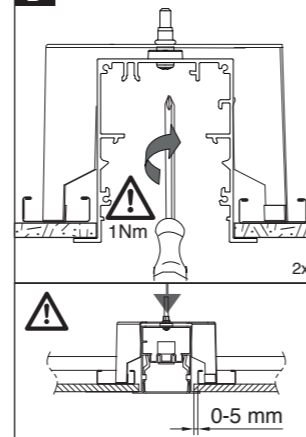
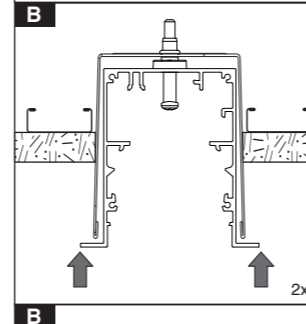
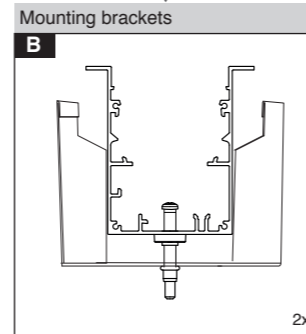
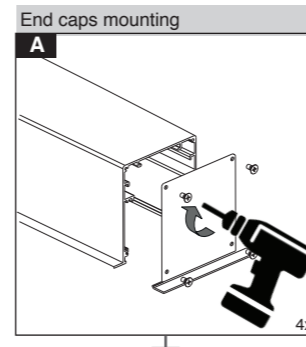
Mounting gear tray to housing



Diffuser mounting

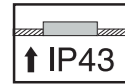
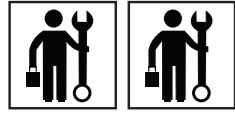


Do not use holder clips beside the driver

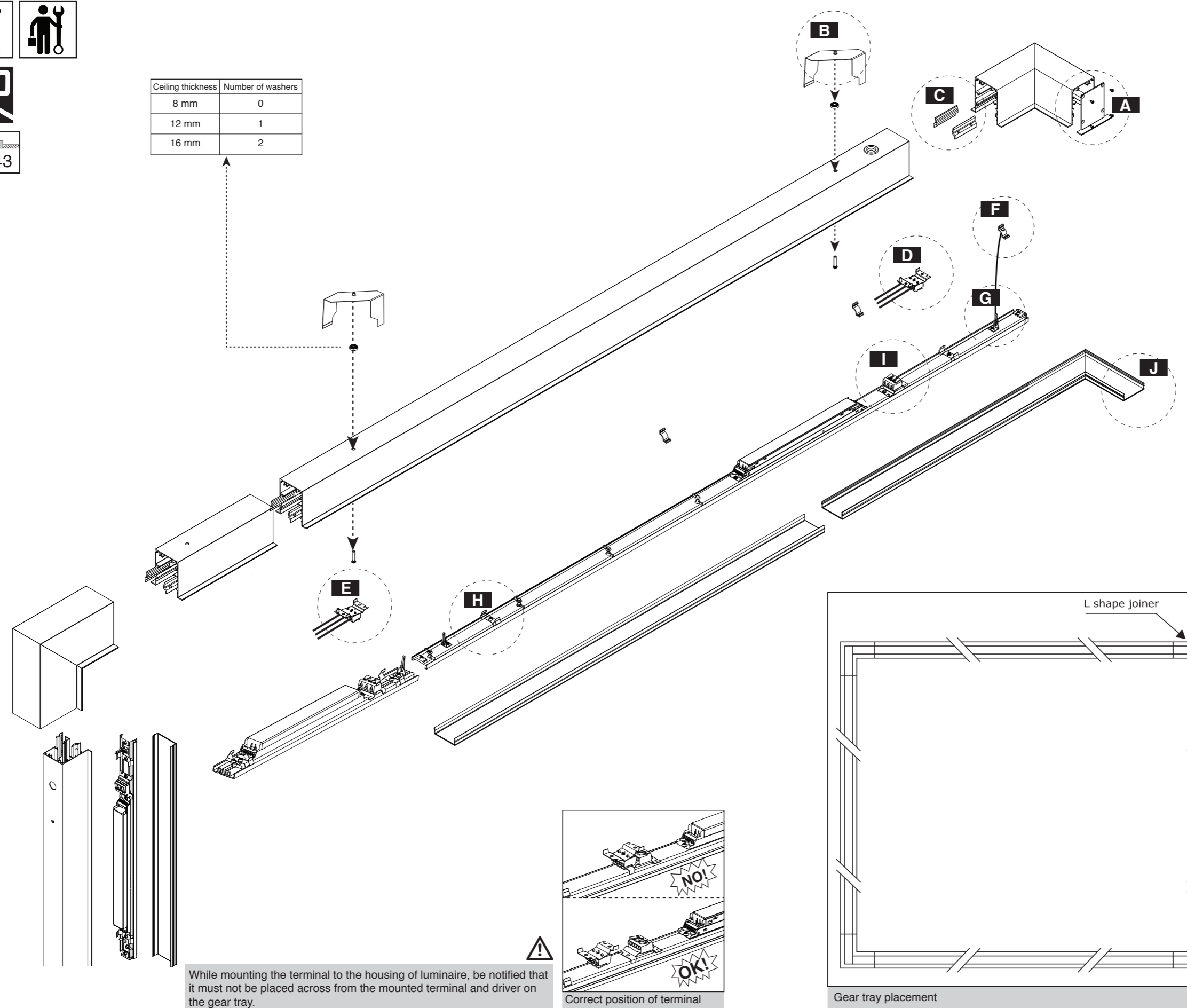


- 1- For proper utilization of this product and for safety, it is mandatory to closely comply with the directions and notes in this installation and maintenance guide.
- 2- Earth connection as provided is mandatory.
- 3- Do not directly touch or impact LED module.
- 4- Do not stare at LED light source.

**INFINITY-D** recessed continuous light bar

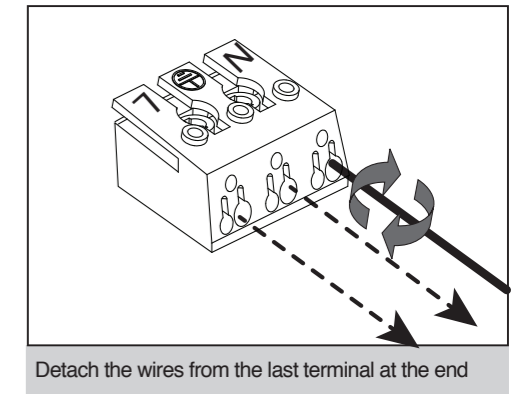


Ceiling thickness	Number of washers
8 mm	0
12 mm	1
16 mm	2

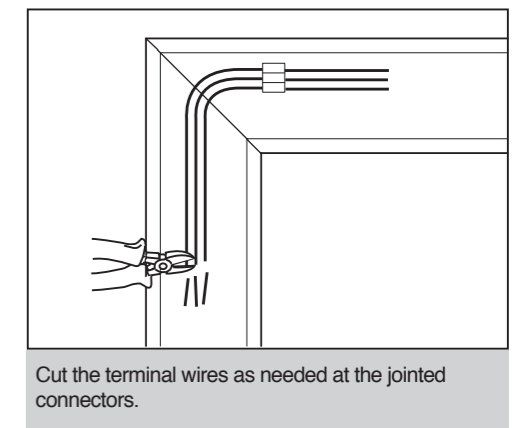


M440D...

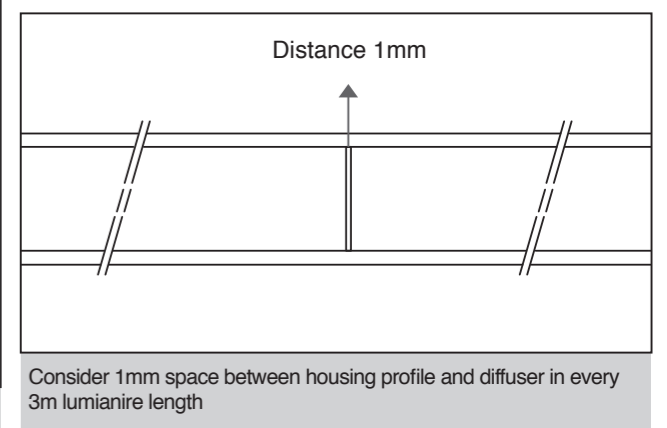
**Attention!**



Detach the wires from the last terminal at the end

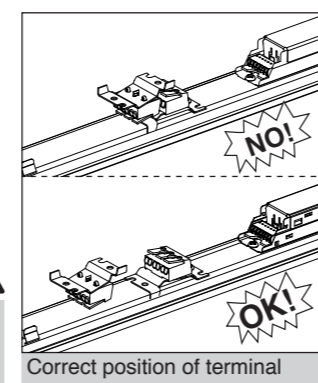


Cut the terminal wires as needed at the jointed connectors.

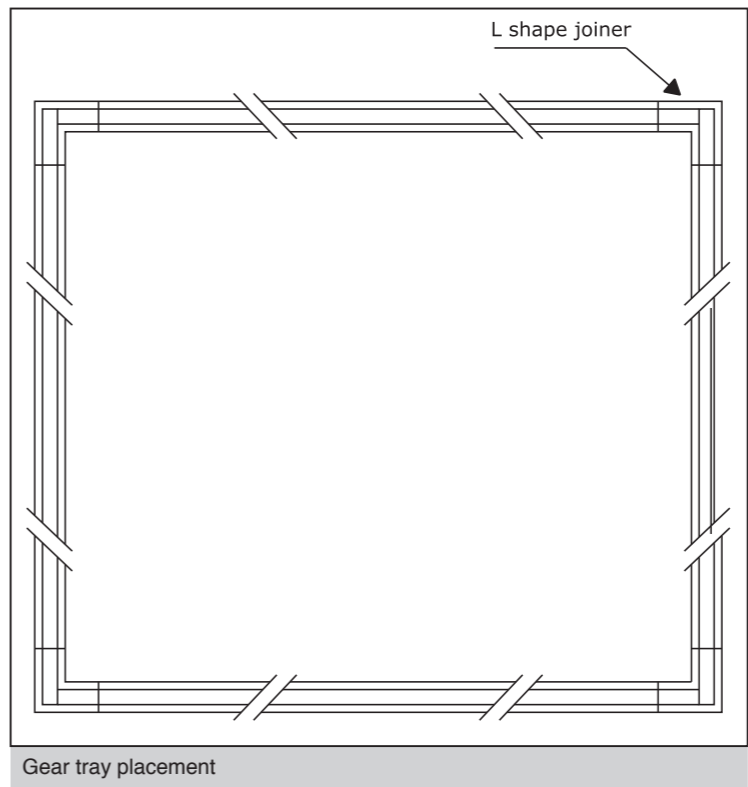


Consider 1mm space between housing profile and diffuser in every 3m luminaire length

While mounting the terminal to the housing of luminaire, be notified that it must not be placed across from the mounted terminal and driver on the gear tray.



Correct position of terminal



Gear tray placement