

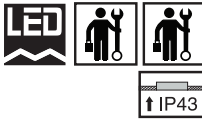
7002013710

www.megalite.com info@megalite.com

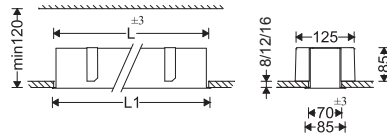


- 1- For proper utilization of this product and for safety, it is mandatory to closely comply with the directions and notes in this installation and maintenance guide.
- 2- Earth connection as provided is mandatory.
- 3- Do not directly touch or impact LED module.
- 4- Do not stare at LED light source.

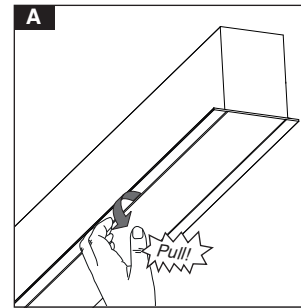
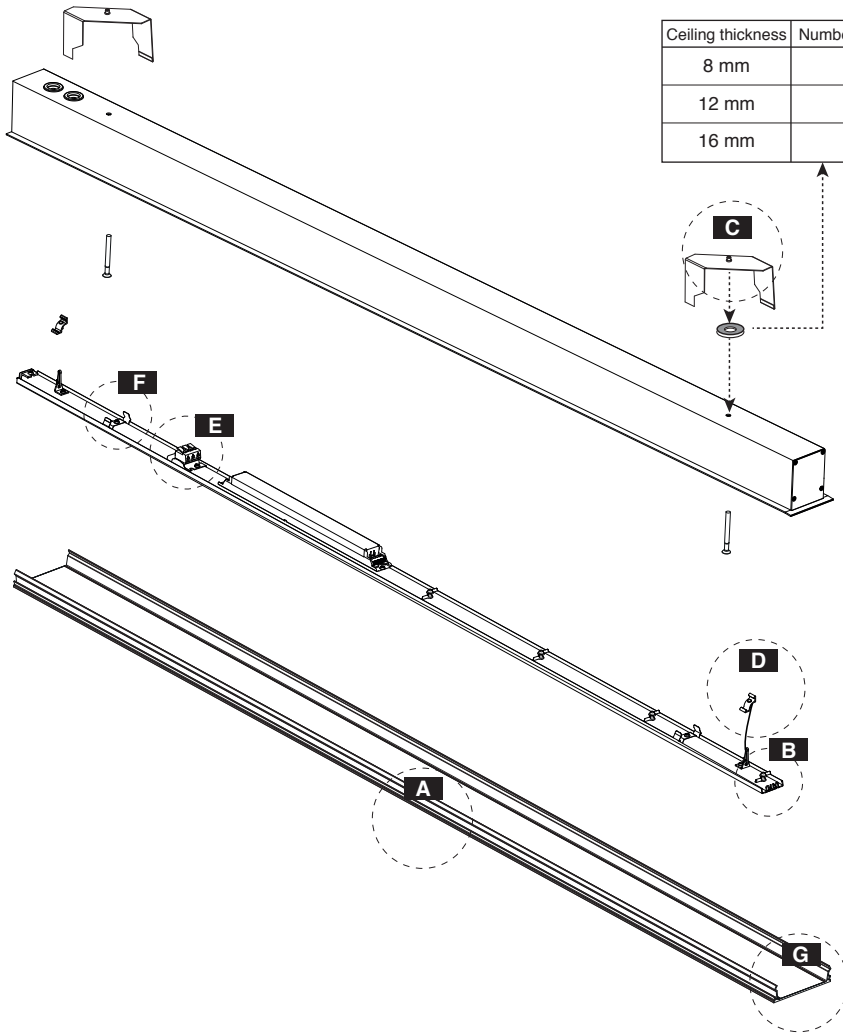
±3 ±3
70 x L



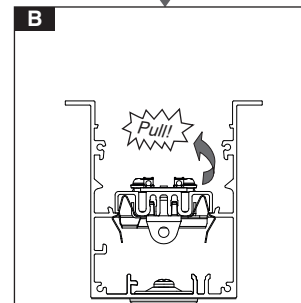
Cat. No	L	L1	Number of installation bracket
M440D601LED2AF...	590	576	2
M440D902LED2AF...	870	856	2
M440D1152LED2AF...	1150	1136	2
M440D1453LED2AF...	1430	1418	2
M440D1703LED2AF...	1710	1696	2
M440D2004LED2AF...	1995	1978	3
M440D2304LED2AF...	2285	2270	3



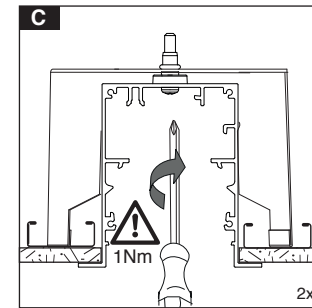
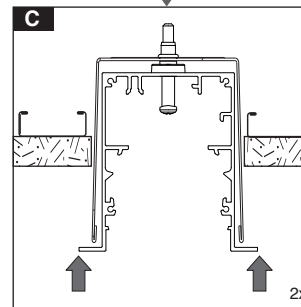
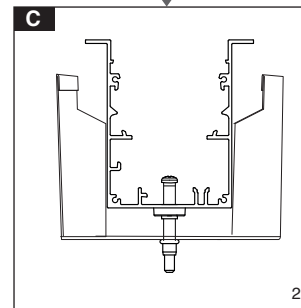
Ceiling thickness	Number of washers
8 mm	0
12 mm	1
16 mm	2



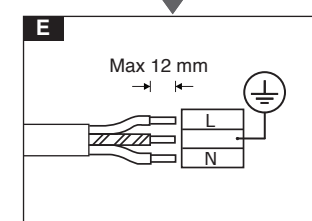
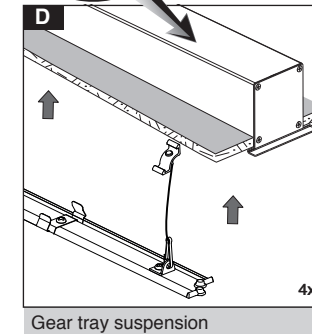
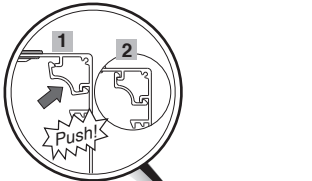
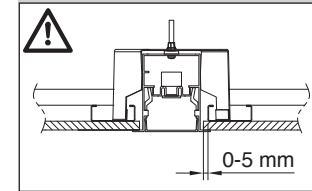
Detach the diffuser



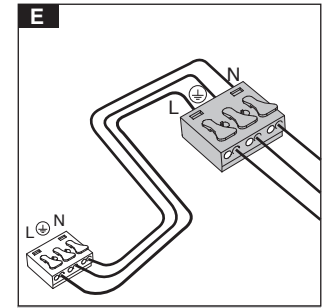
Detach the gear tray



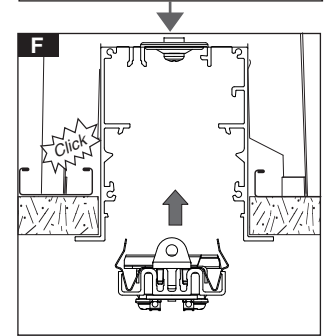
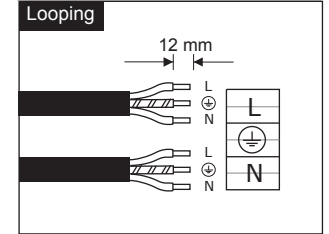
Mounting brackets



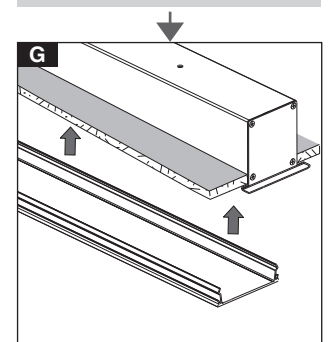
Max 12 mm



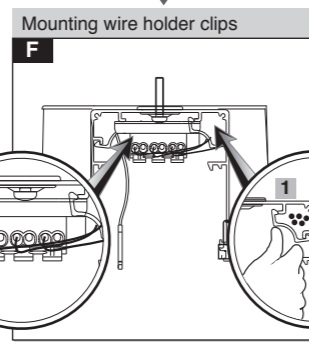
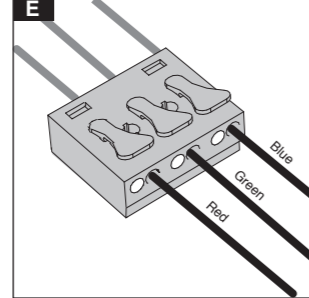
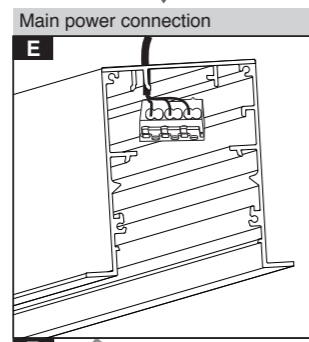
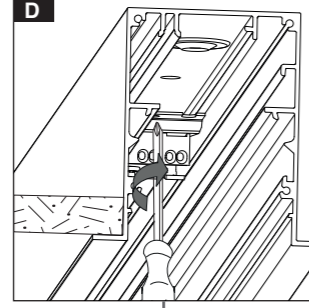
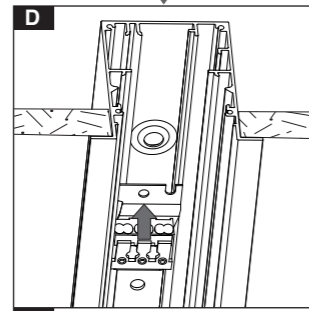
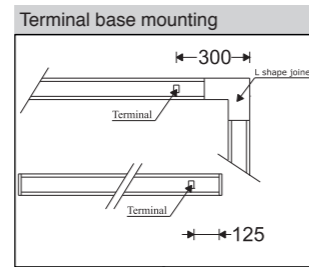
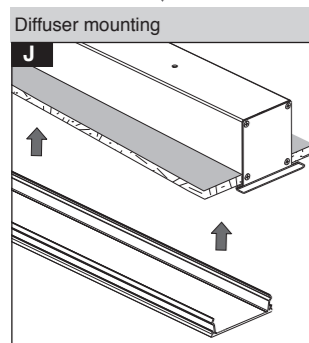
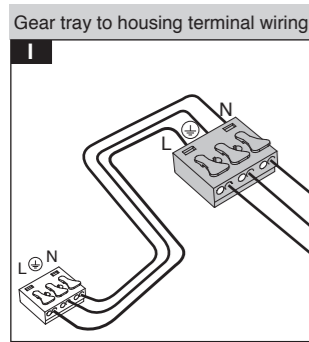
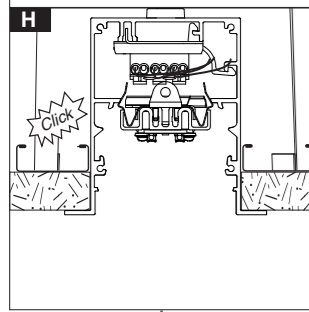
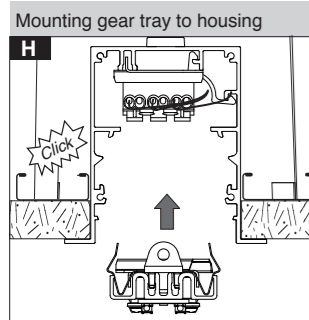
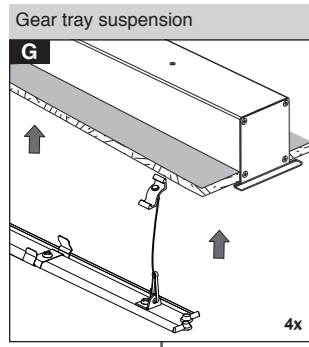
Gear tray to housing terminal wiring



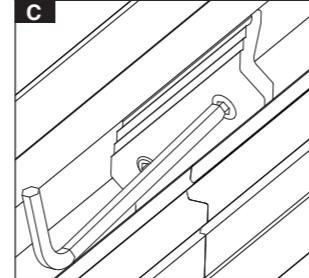
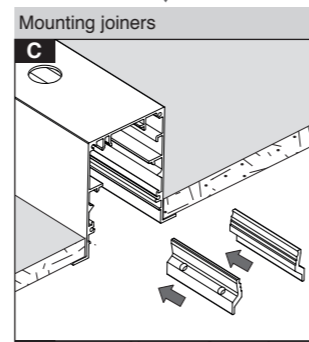
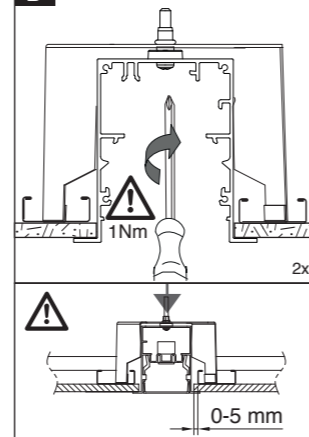
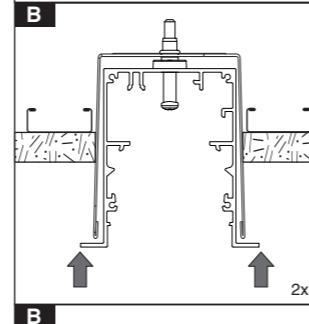
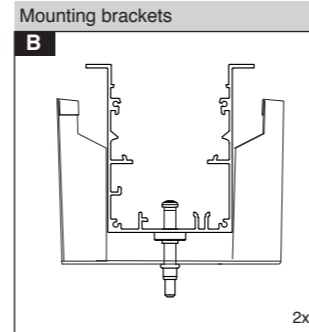
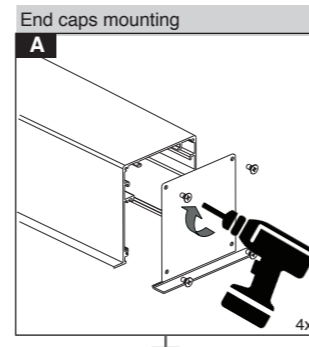
Mounting gear tray to housing



Diffuser mounting

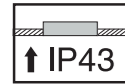


Do not use holder clips beside the driver

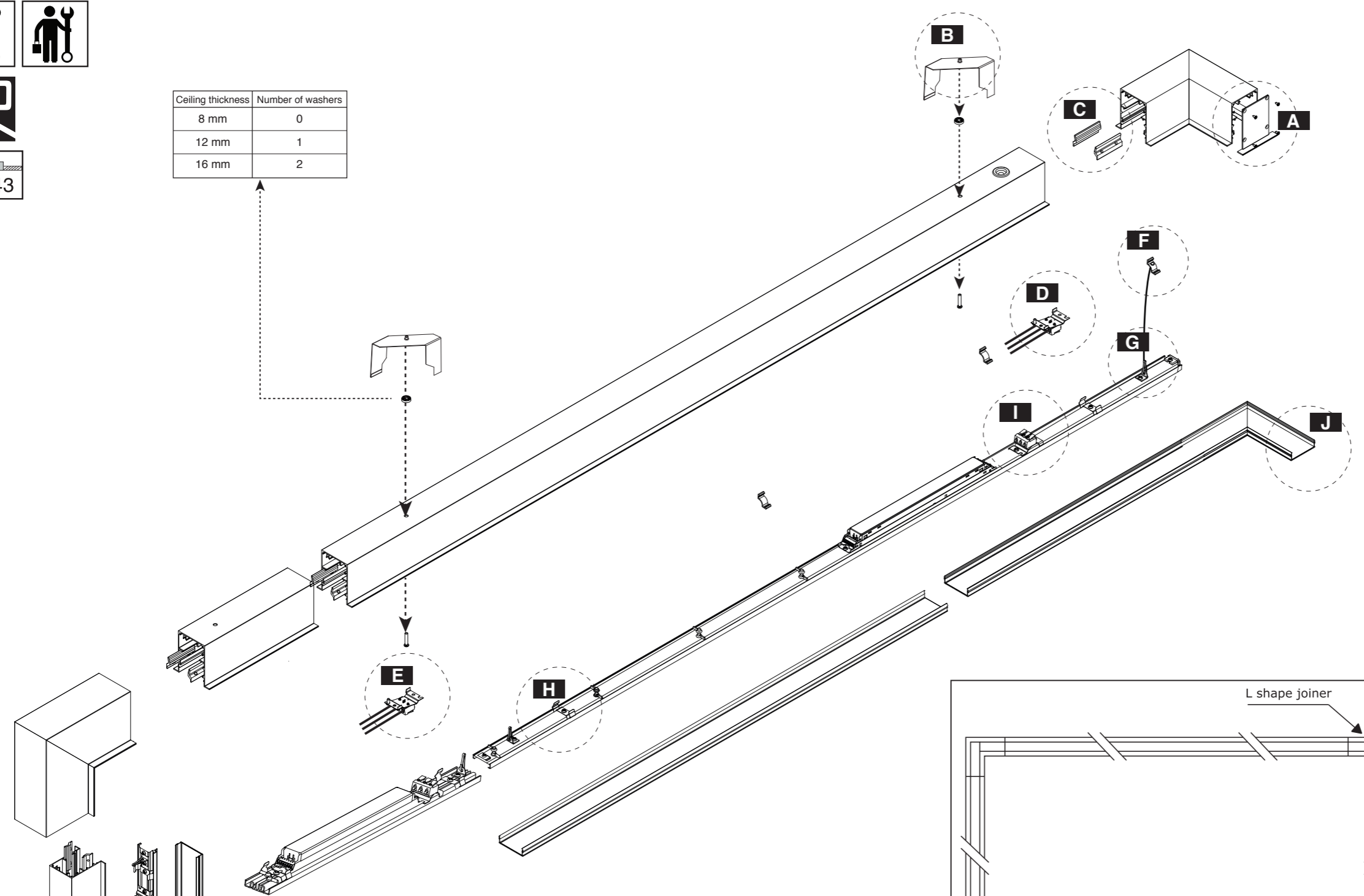


- 1- For proper utilization of this product and for safety, it is mandatory to closely comply with the directions and notes in this installation and maintenance guide.
- 2- Earth connection as provided is mandatory.
- 3- Do not directly touch or impact LED module.
- 4- Do not stare at LED light source.

INFINITY-D recessed continuous light bar

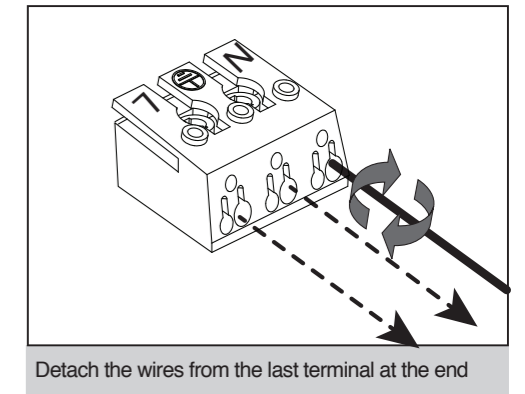


Ceiling thickness	Number of washers
8 mm	0
12 mm	1
16 mm	2

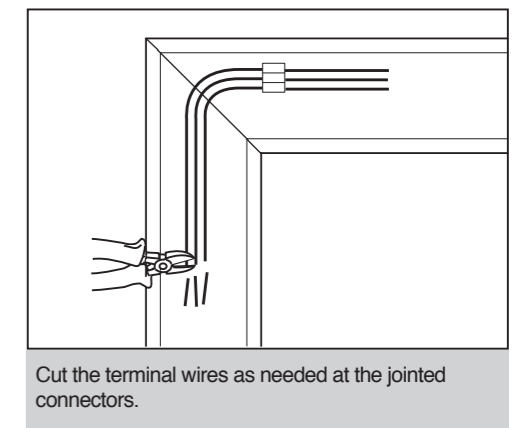


M440D...

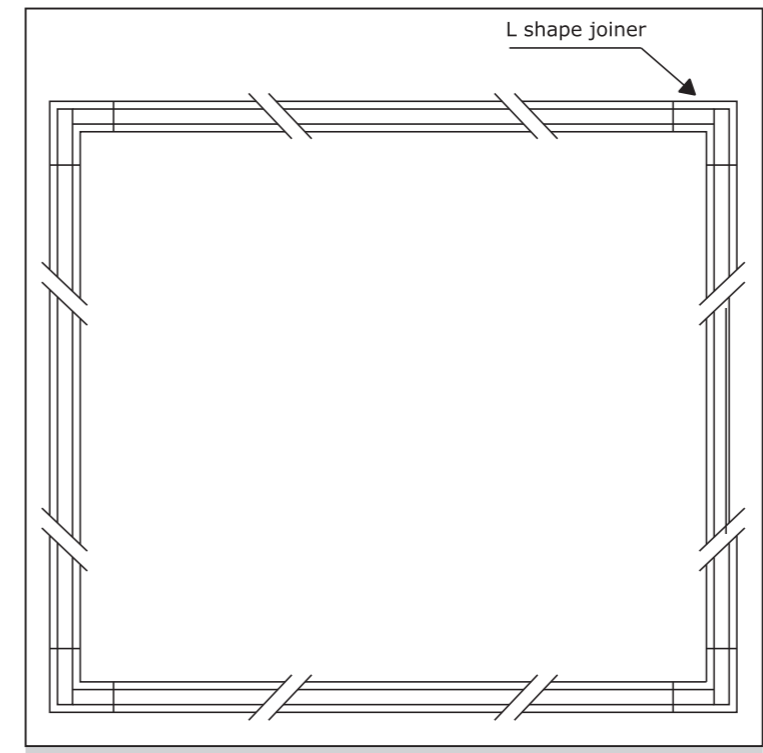
Attention!



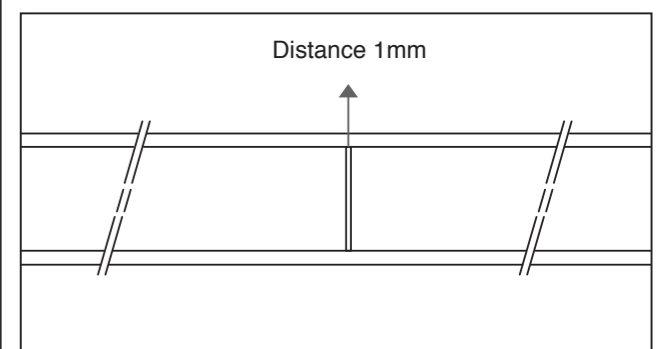
Detach the wires from the last terminal at the end



Cut the terminal wires as needed at the jointed connectors.

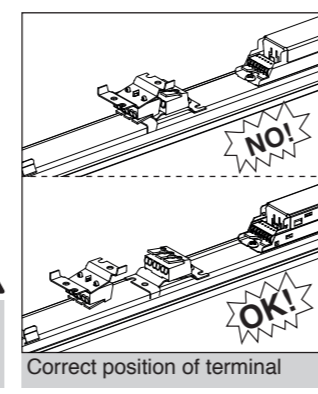


Gear tray placement



Consider 1mm space between housing profile and diffuser in every 3m luminaire length

While mounting the terminal to the housing of luminaire, be notified that it must not be placed across from the mounted terminal and driver on the gear tray.



Correct position of terminal