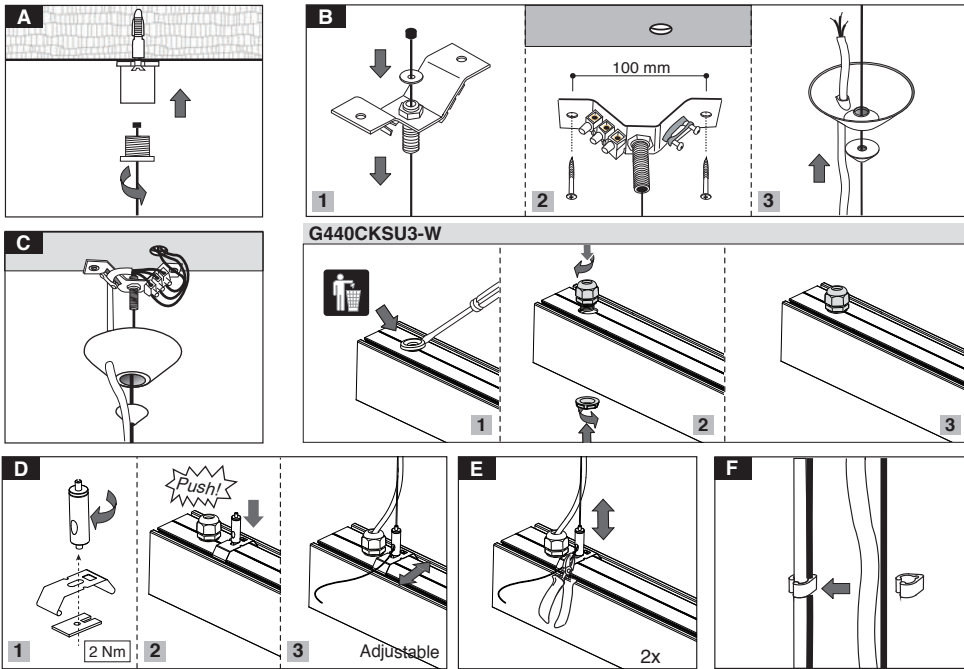
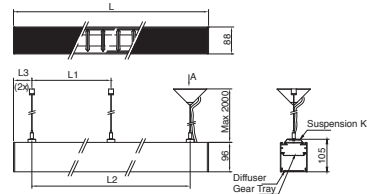


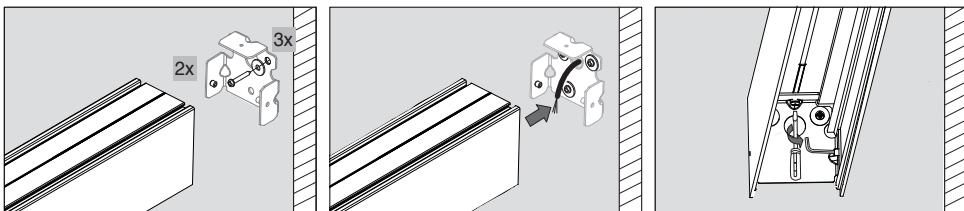
G440CKSU...



Length of profile	Number of suspension kit
$L < 1695$	2
$1695 < L < 2830$	3



G440CKW



Allen wrench size 3mm

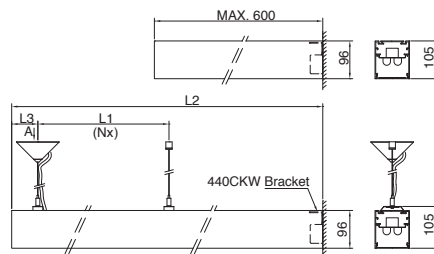
$N = L2 / L1$

$L1 = 1200-1800$

$L3 = \text{MIN.} = 200 / \text{MAX.} = L1 / 2$

For Example: $L2 = 10000, L1 = 1500 \rightarrow N = \frac{10000}{1500} = 6.666$

$L3 = (0.666 * 1500) / 2 = 50\text{mm}$



Number of Installation Kit: 6

EN Instruction for Installation and Utilization of **INFINITY-C** Surface Mount or Suspension Light Bar

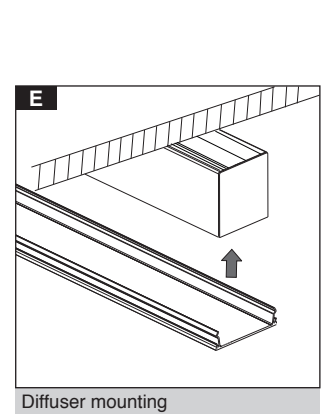
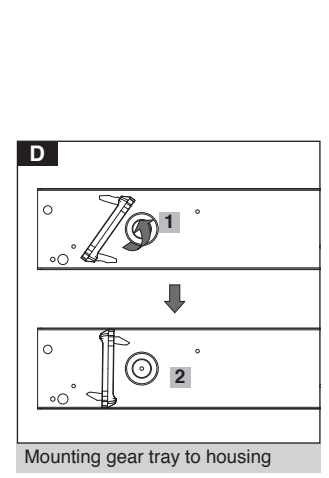
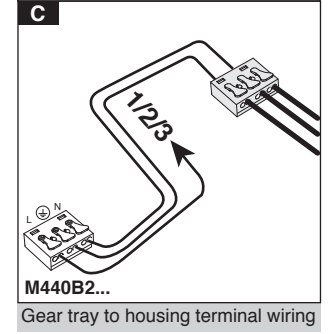
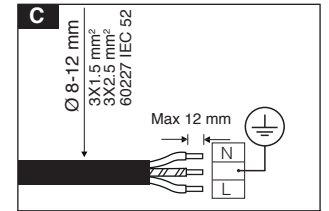
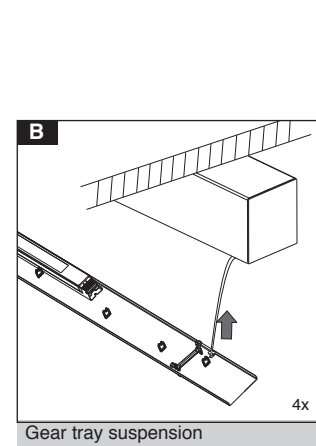
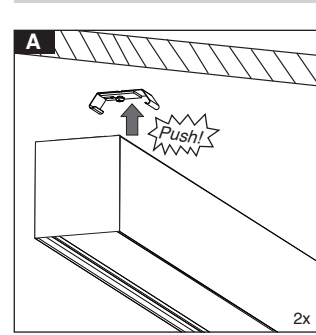
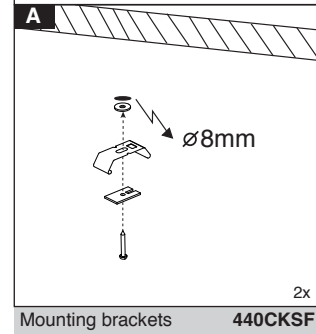
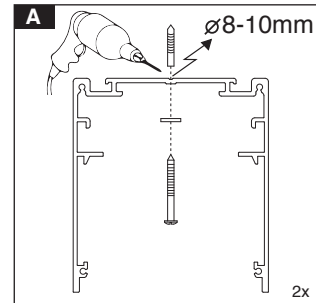
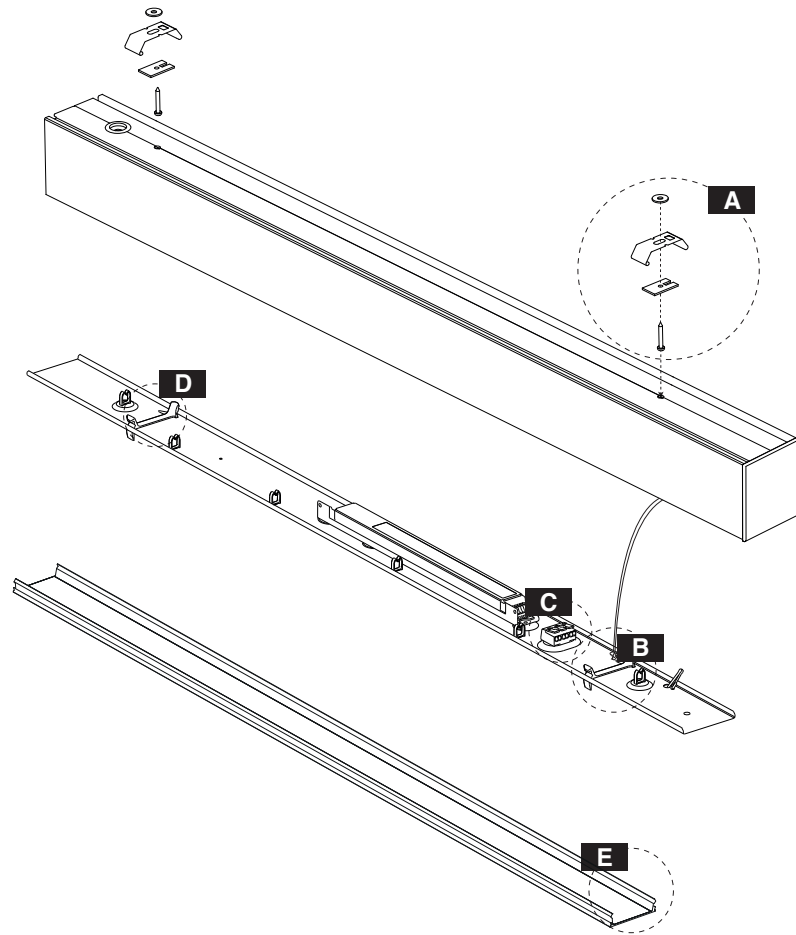
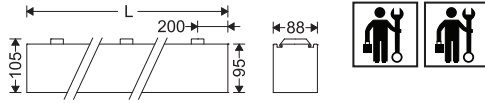
7002013413

www.megalite.com info@megalite.com



- 1- For proper utilization of this product and safety, it is mandatory to closely comply with the directions and notes in this instruction and guide.
- 2- Earth connection as provided is mandatory.
- 3- Do not directly touch or impact LED module.
- 4- Do not stare at LED light source.
- 5- The light source contained in this luminaire shall only be replaced by the manufacturer or his service agent or a similar qualified person. Always switch off the power prior to installation, maintenance or repair activities.

Cat. No.	L	تعداد براکت نصب Number of installation bracket	W (kg)
M440C601LED2AF...	580	2	2.5
M440C902LED2AF...	860	2	3.5
M440C1152LED2AF...	1140	2	4.5
M440C1453LED2AF...	1425	2	5.0
M440C1703LED2AF...	1705	3	5.5
M440C2004LED2AF...	1985	3	6.5
M440C2304LED2AF...	2265	3	7.5



Mounting brackets 440CKSF

Gear tray suspension

Gear tray to housing terminal wiring

Mounting gear tray to housing

Diffuser mounting

EN Instruction for installation and utilization of **INFINITY-C** surface mount or suspension continuous light bar

7002013512

www.megalite.com info@megalite.com

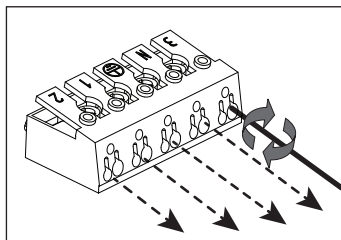


- 1- For proper utilization of this product and safety, it is mandatory to closely comply with the directions and notes in this instruction and guide.
- 2- Earth connection as provided is mandatory.
- 3- Do not directly touch or impact LED module.
- 4- Do not stare at LED light source.
- 5- The light source contained in this luminaire shall only be replaced by the manufacturer or his service agent or a similar qualified person. Always switch off the power prior to installation, maintenance or repair activities.

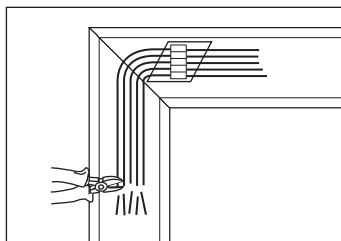




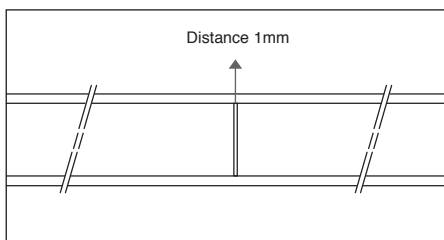
Attention!



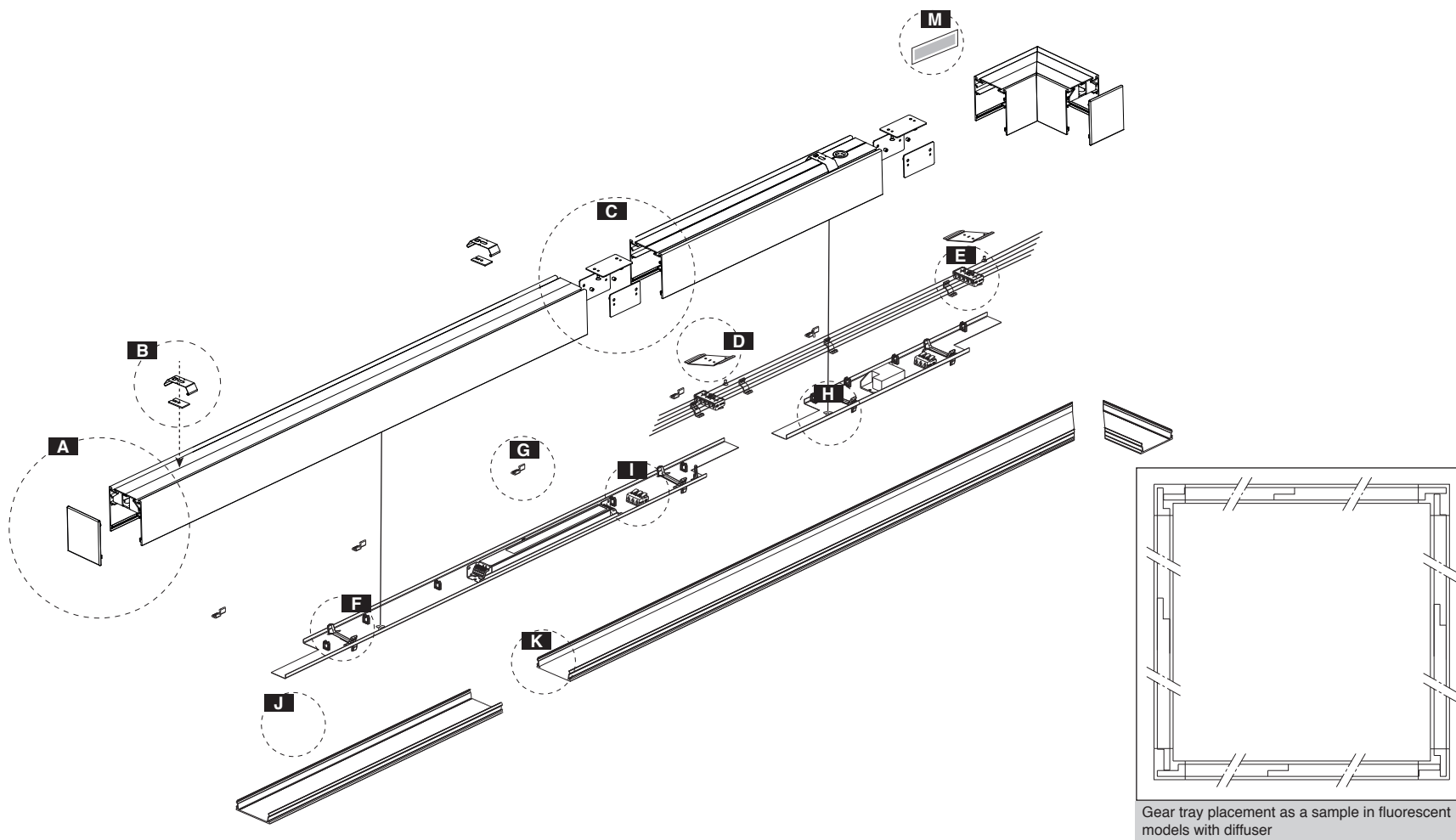
Detach the wires from the last terminal at the end



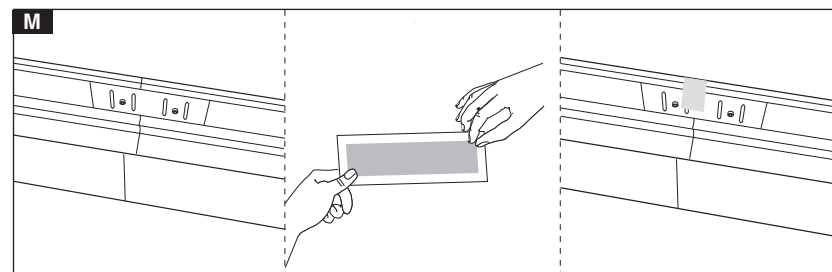
Cut the terminal wires as needed at the jointed connectors.



Consider 1mm space between housing profile and diffuser in every 3m luminaire length

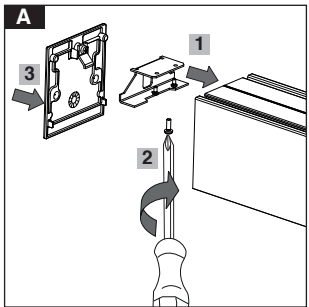
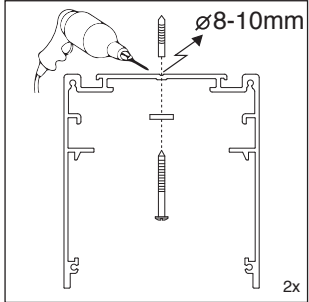


Gear tray placement as a sample in fluorescent models with diffuser

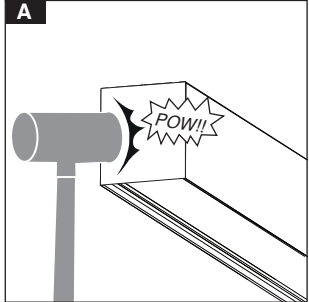


In order to prevent lighting from seeping through the cracks and crevasses of the profile, you must adhere the stickers on the inside crevasses.

Mounting without bracket

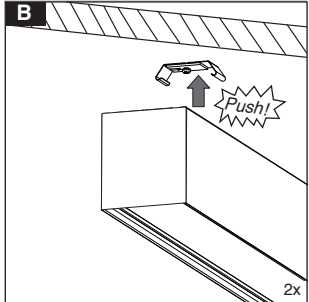


Plastic hammer

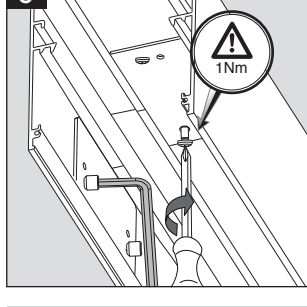
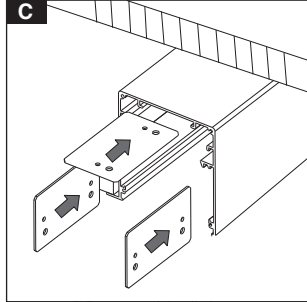


Mounting brackets

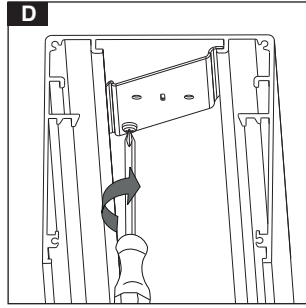
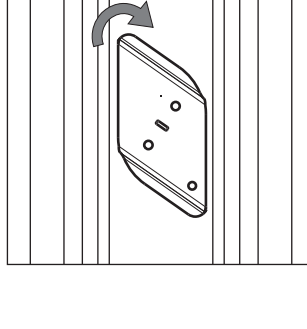
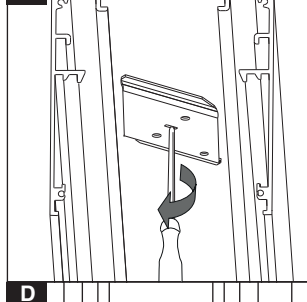
440CKSF



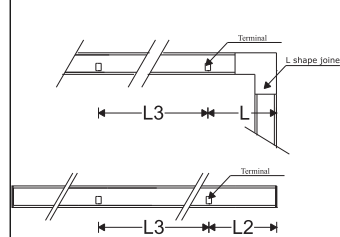
Mounting joiners



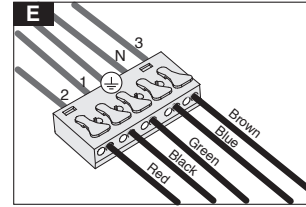
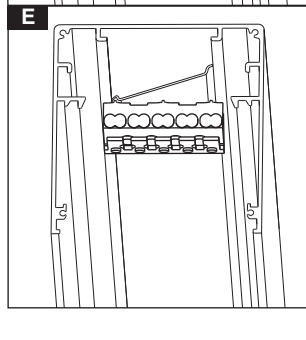
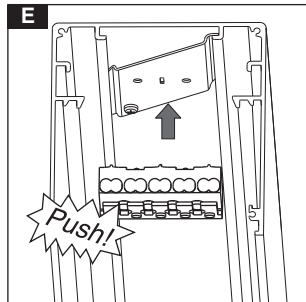
Terminal base mounting



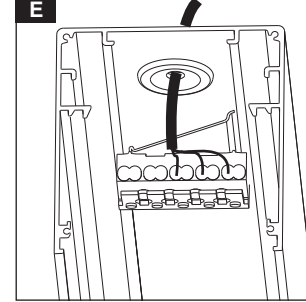
Terminal mounting:



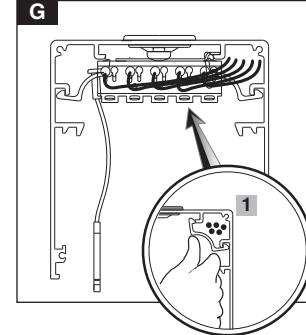
L	L2	L3
170	170	1130



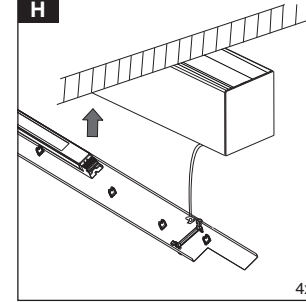
Main power connection



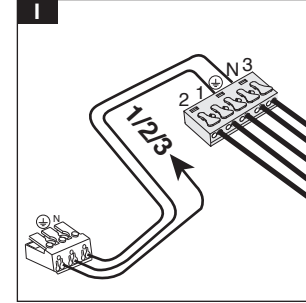
Mounting wire holder clips



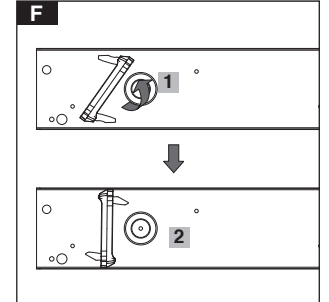
Gear tray suspension



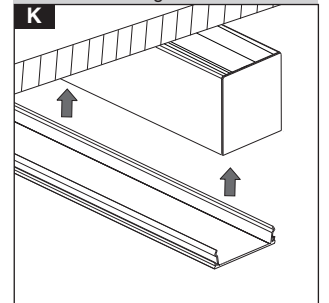
Gear tray to housing terminal wiring



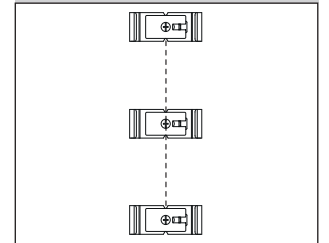
Mounting gear tray to housing



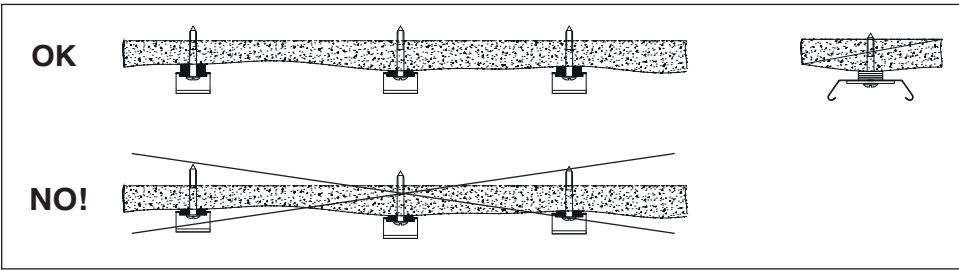
Diffuser mounting



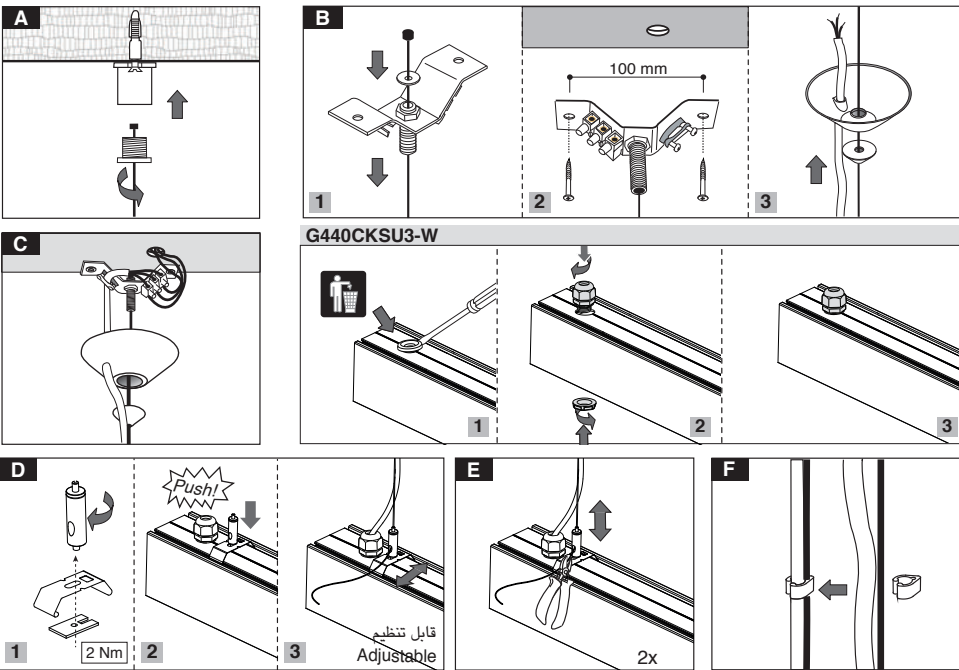
Mounting clips must be mounted in every one meter and in a straight line.



Uneven ceiling

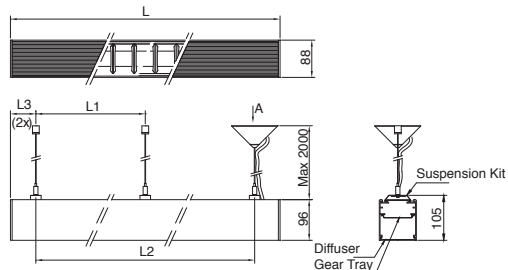


G440CKSU...

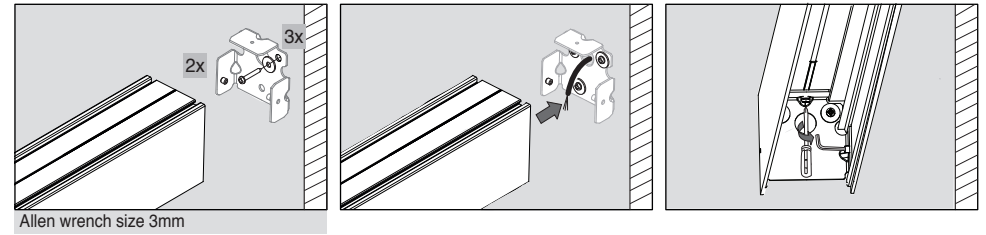


$N = (L2 / L1) + 1$
 $L1 = 1200 - 1800$
 $L3 = \text{MIN.} = 200 / \text{MAX.} = L1 / 2$
 Example: $L2 = 10000, L1 = 1500 \rightarrow N = \frac{10000}{1500} = 6.666$
 $L3 = (0.666 * 1500) / 2 = 250\text{mm}$

Number of Installation Kit: 1+6=7

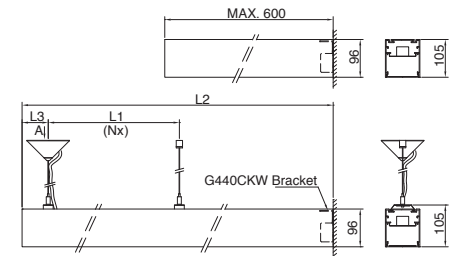


G440CKW

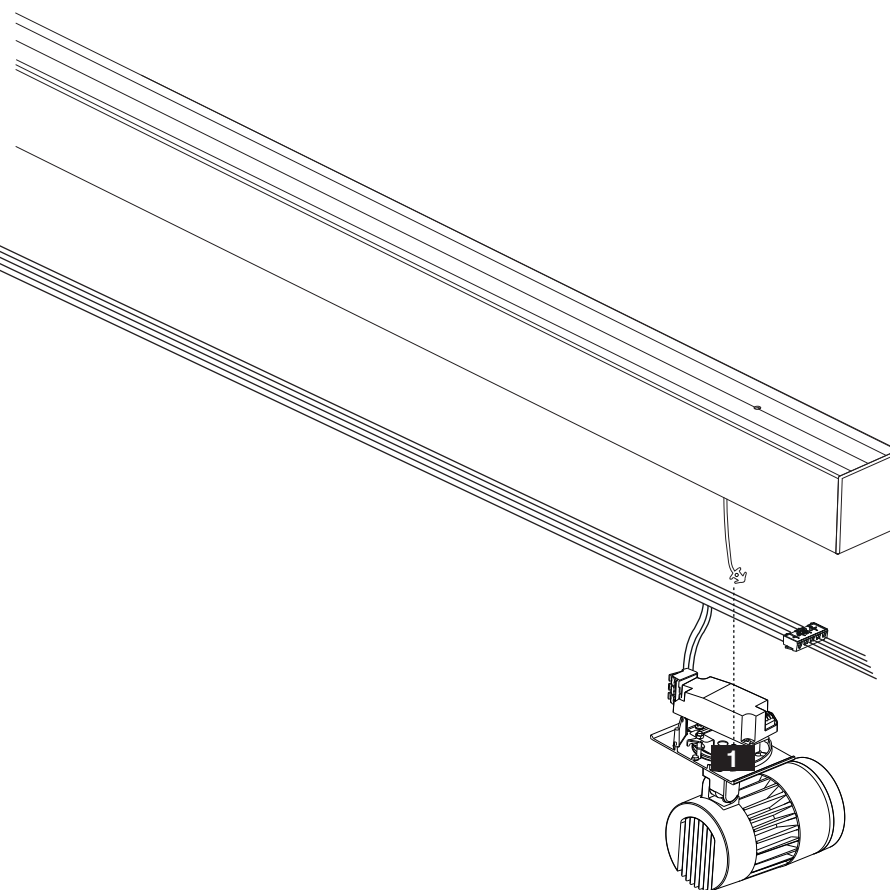
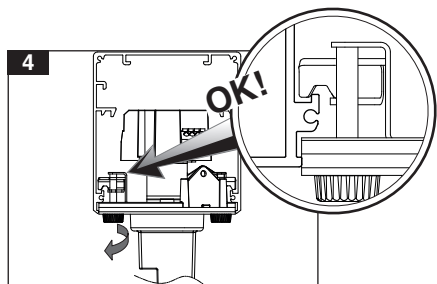
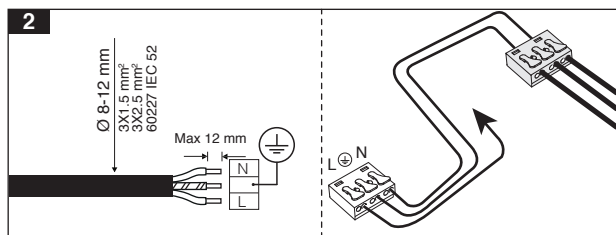
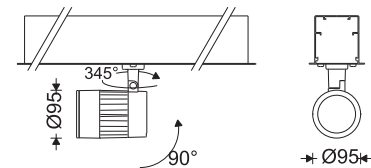
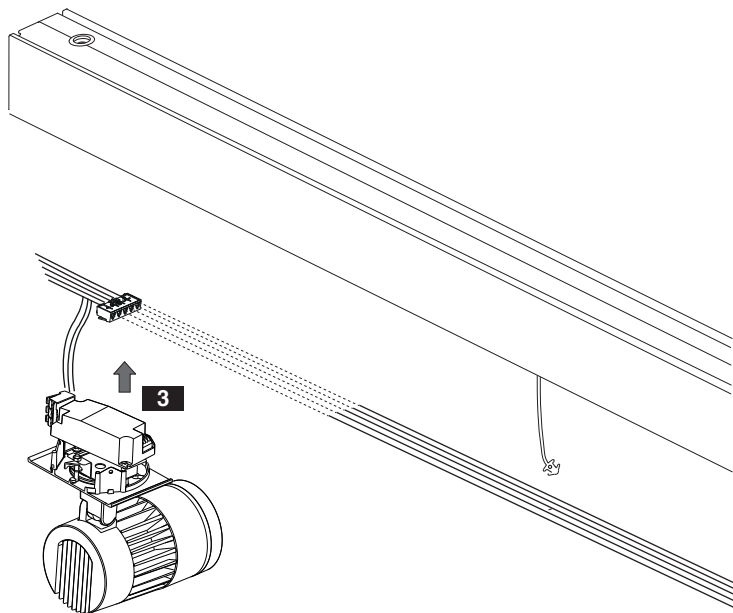


$N = L2 / L1$
 $L1 = 1200 - 1800$
 $L3 = \text{MIN.} = 200 / \text{MAX.} = L1 / 2$
 For Example: $L2 = 10000, L1 = 1500 \rightarrow N = \frac{10000}{1500} = 6.666$
 $L3 = (0.666 * 1500) / 2 = 50\text{mm}$

Number of Installation Kit: 6



NOVATRON

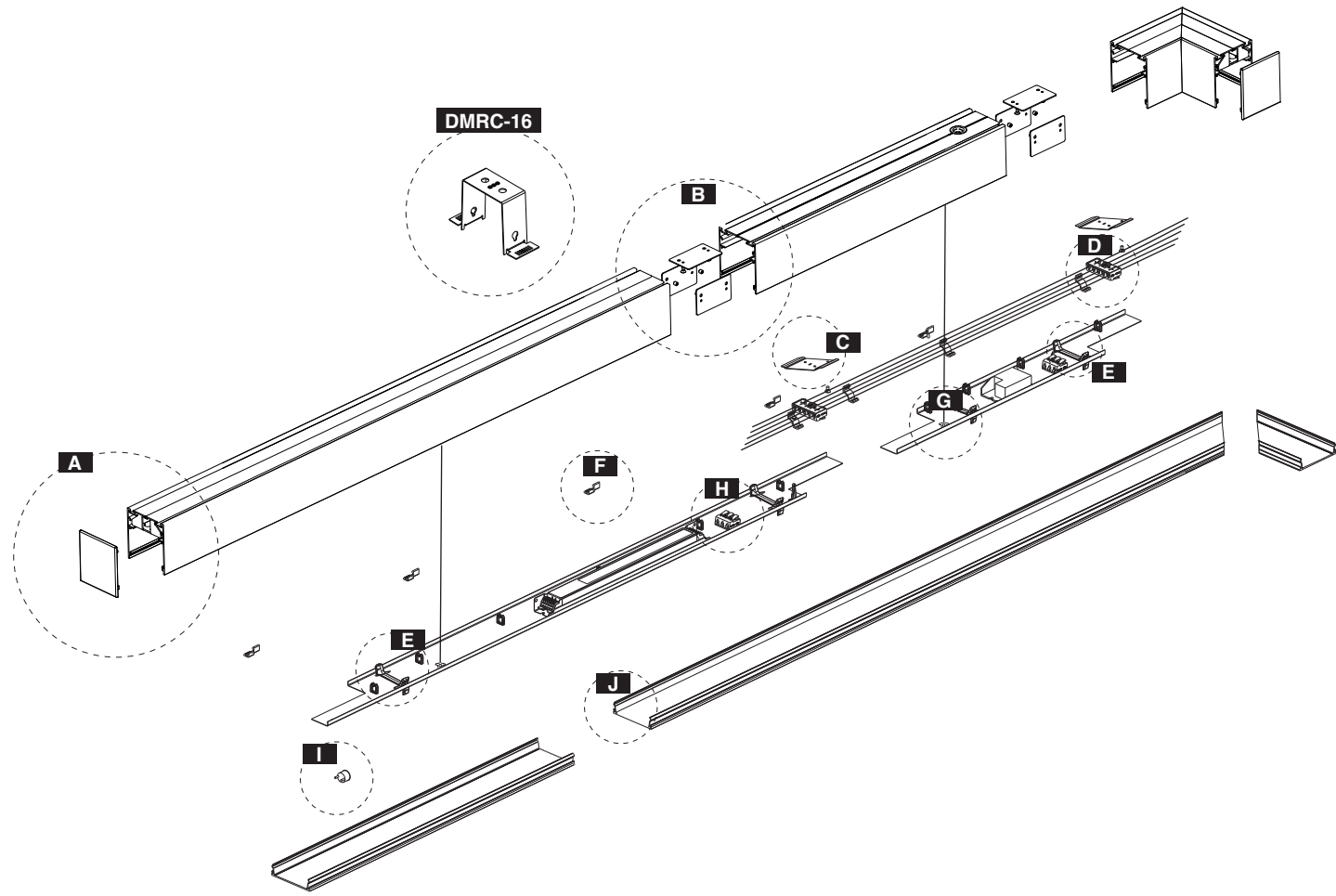


7002014904

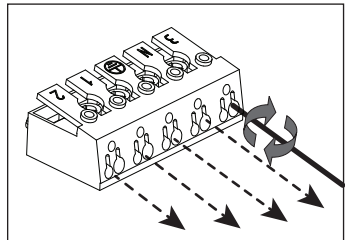
www.megalite.com info@megalite.com



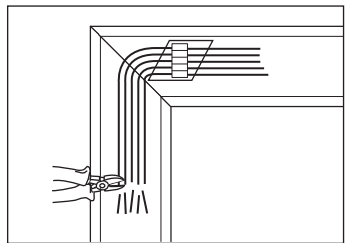
- 1- For proper utilization of this product and for safety, it is mandatory to closely comply with the directions and notes in this installation and maintenance guide.
- 2- Earth connection as provided is mandatory.
- 3- Do not directly touch or impact LED module.
- 4- Do not stare at LED light source.



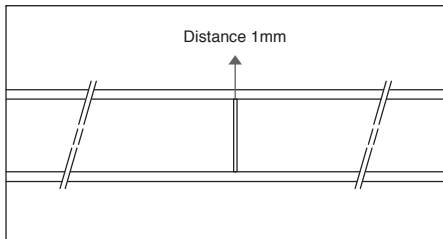
Attention!



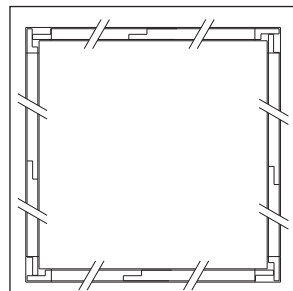
Dispart the wires from the last terminal at the end



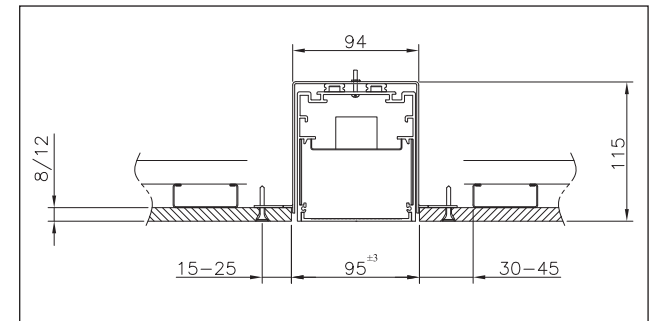
Cut the terminal wires as needed at the jointed connectors.



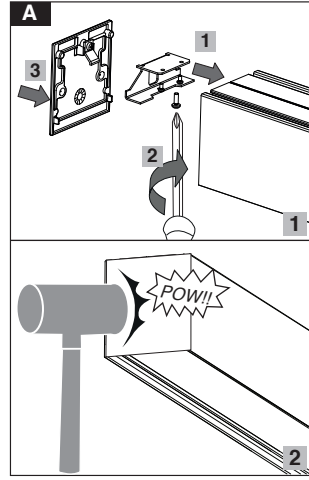
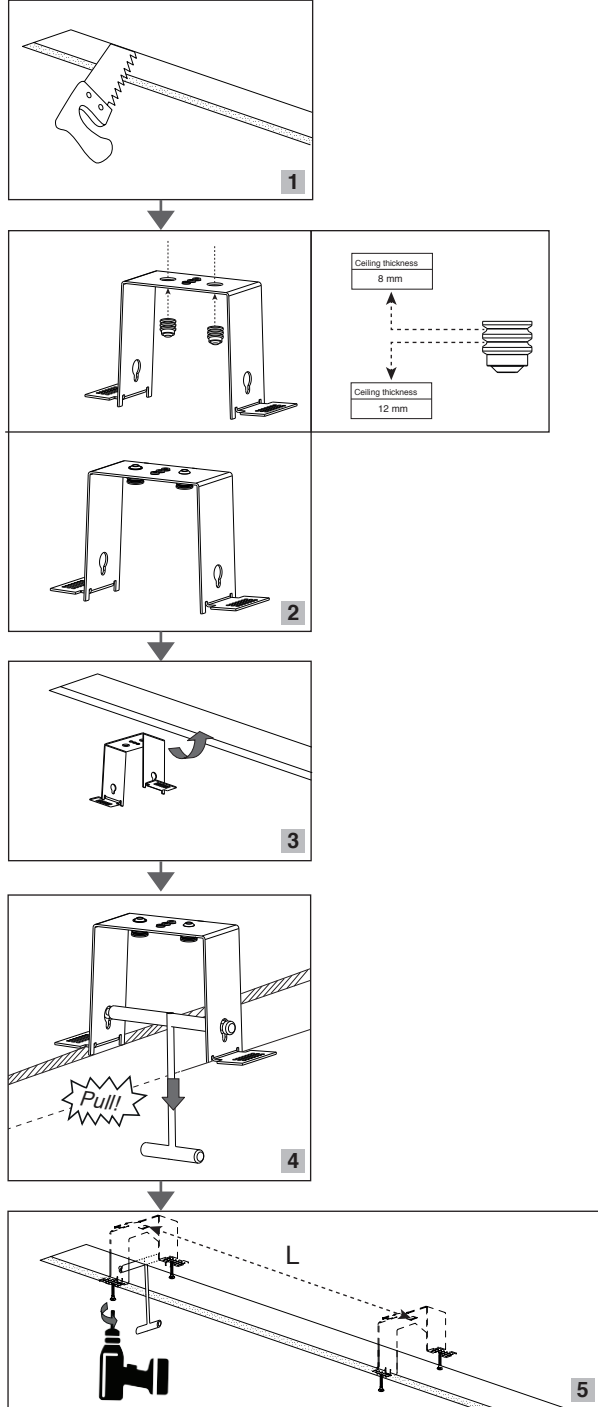
Consider 1mm space between housing profile and diffuser in every 3m luminaire length



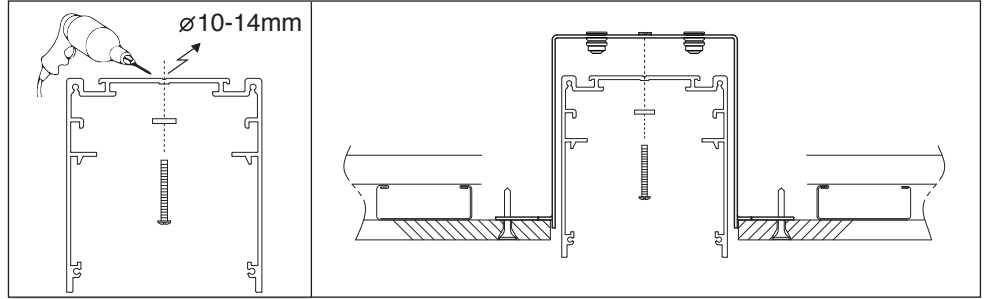
Gear tray placement as a sample in fluorescent models with diffuser



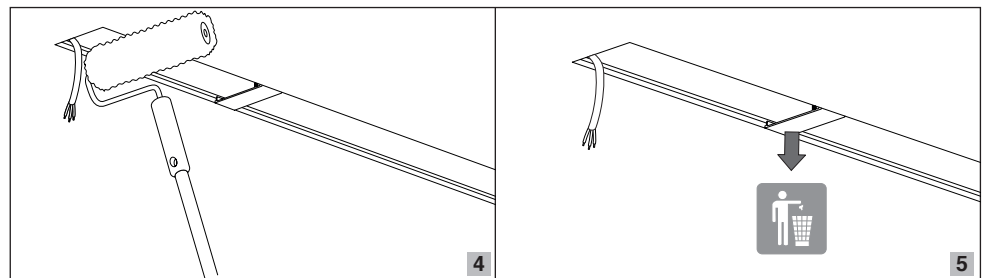
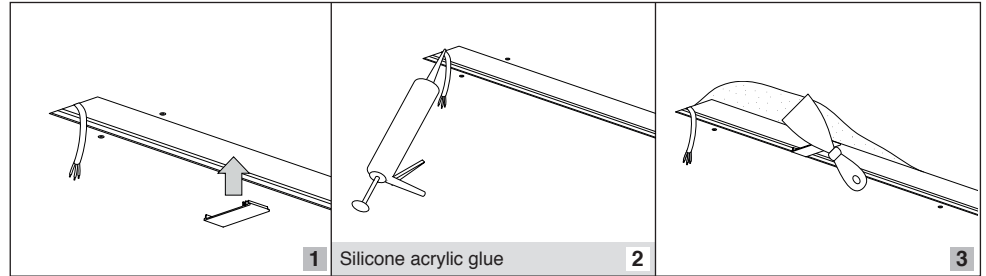
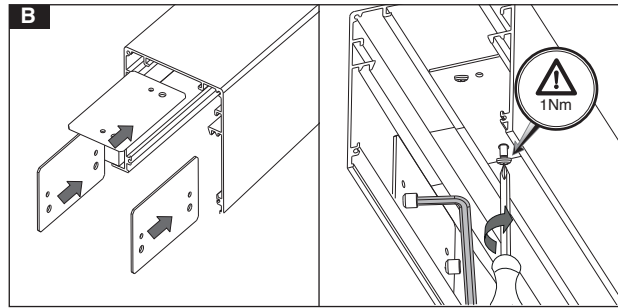
DMRC-16



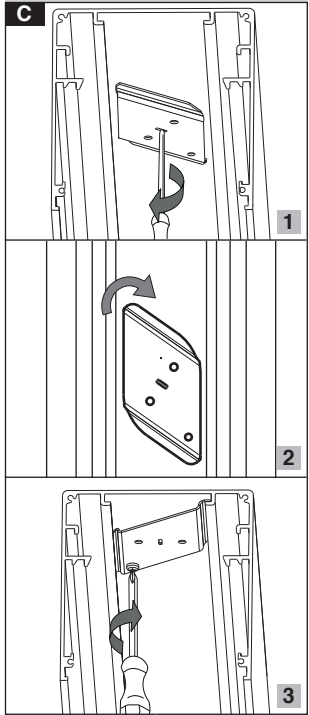
Mounting the luminaire



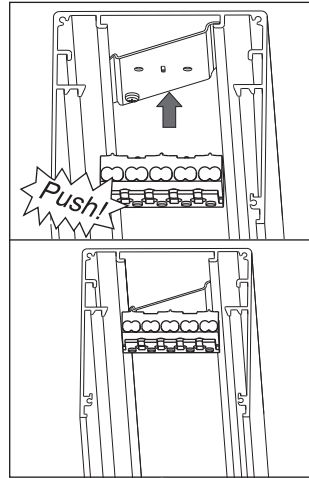
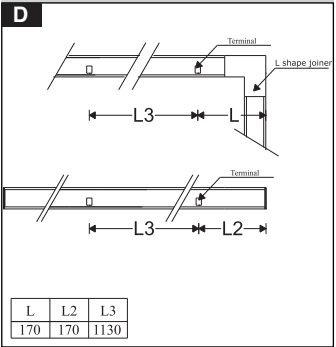
Distance= L



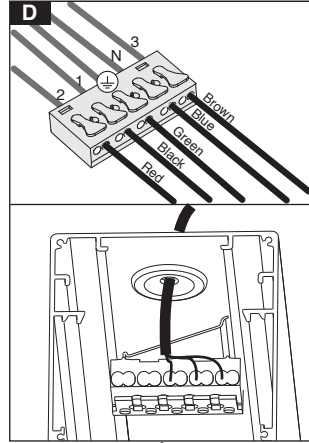
Terminal base mounting



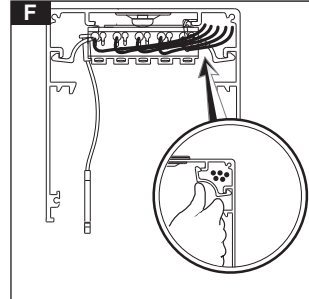
Terminal mounting



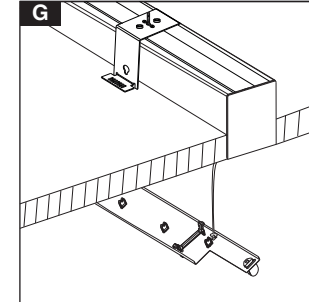
Main power connection



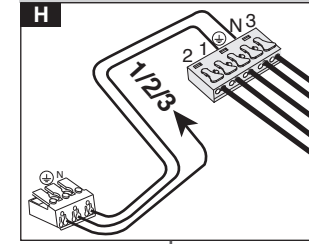
Mounting wire holder clips



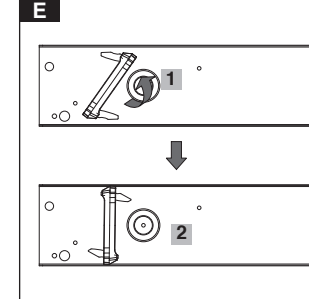
Gear tray suspension



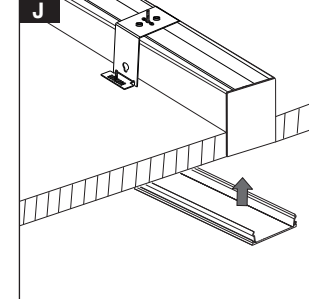
Gear tray to housing terminal wiring



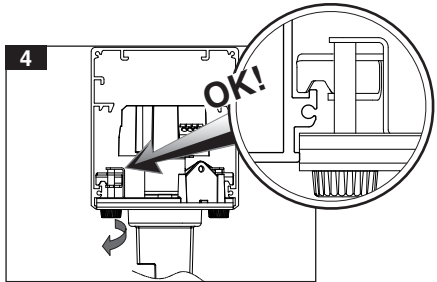
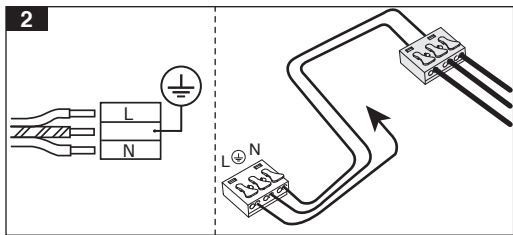
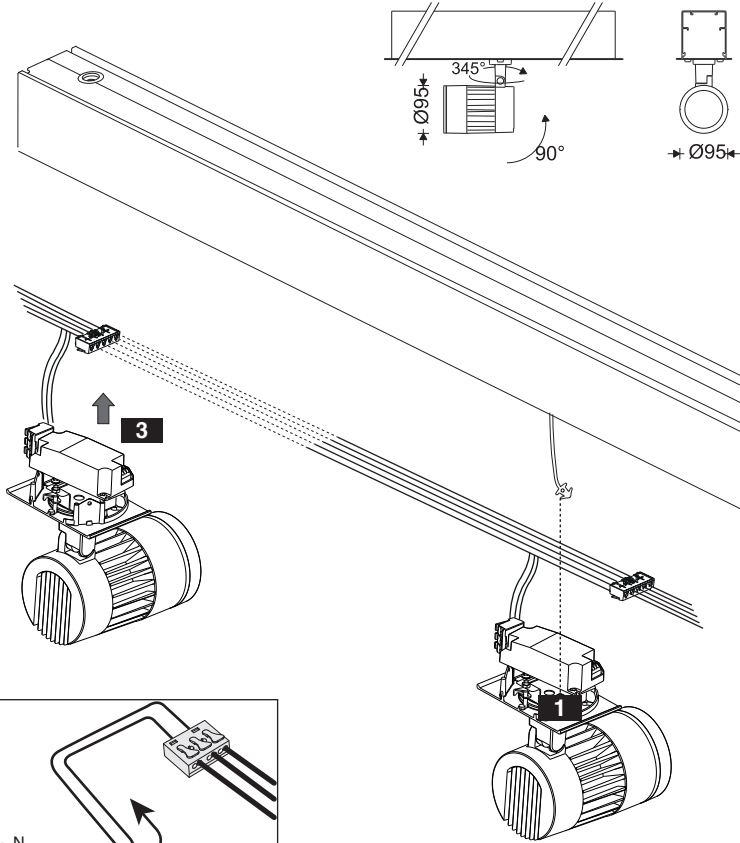
Mounting gear tray to housing



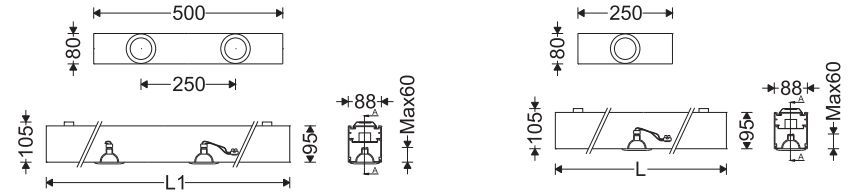
Diffuser mounting



NOVATRON



ALFA



Use 220-240V LED lamp suitable for Gu10 lamp holder.

