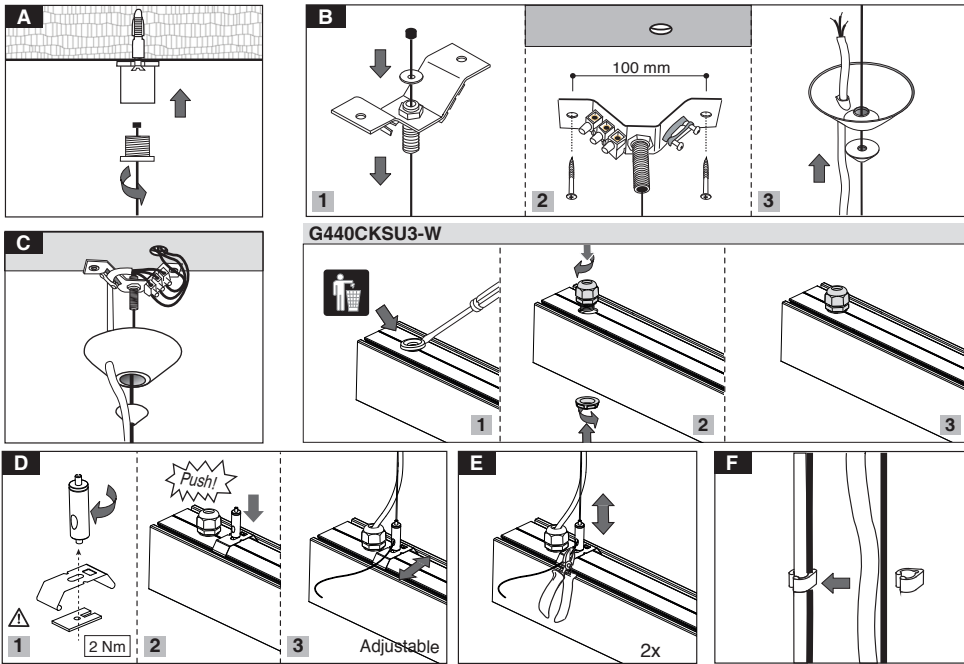
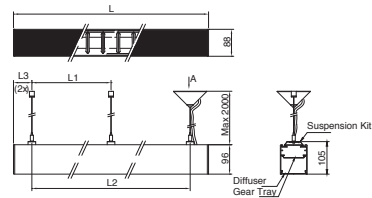


G440CKSU...

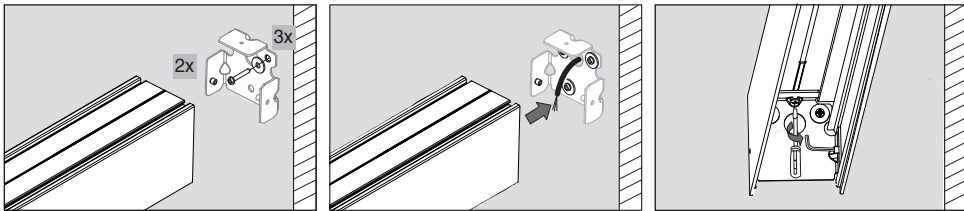


⚠ Do not use the washer included inside the luminaire package in the pendant installation, and instead, use the washer provided in the suspension kit.

Length of profile	Number of suspension kit
$L < 1695$	2
$1695 < L < 2830$	3



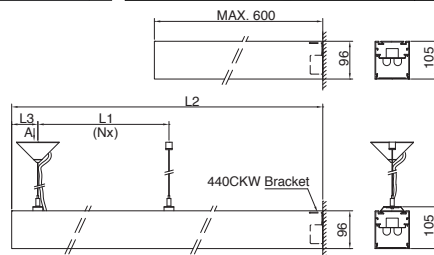
G440CKW



Allen wrench size 3mm

$N = L2 / L1$   
 $L1 = 1200-1800$   
 $L3 = \text{MIN.} = 200 / \text{MAX.} = L1 / 2$   
 For Example:  $L2 = 10000, L1 = 1500 \rightarrow N = \frac{10000}{1500} = 6,666$   
 $L3 = (0.666 * 1500) / 2 = 50\text{mm}$

Number of Installation Kit: 6



EN Instruction for Installation and Utilization of **INFINITY-C** Surface Mount or Suspension Light Bar

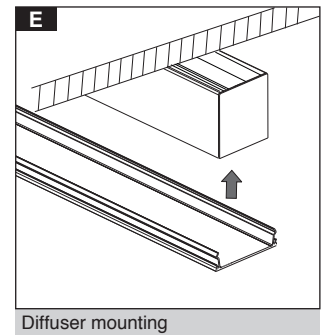
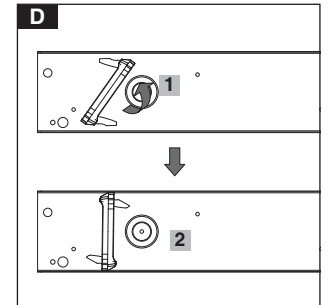
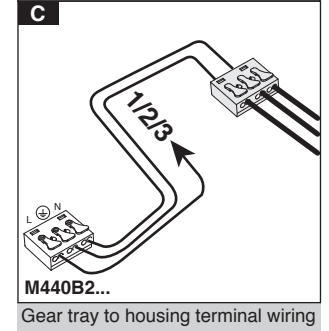
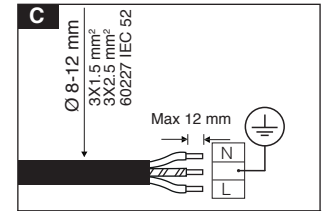
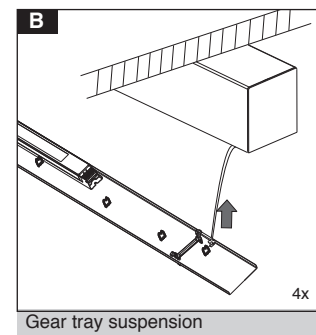
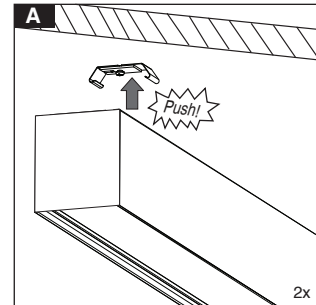
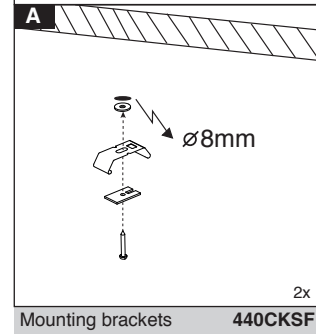
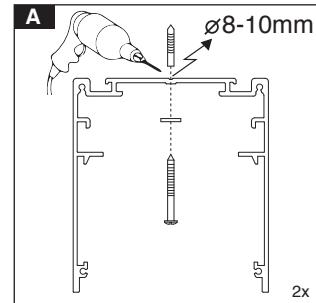
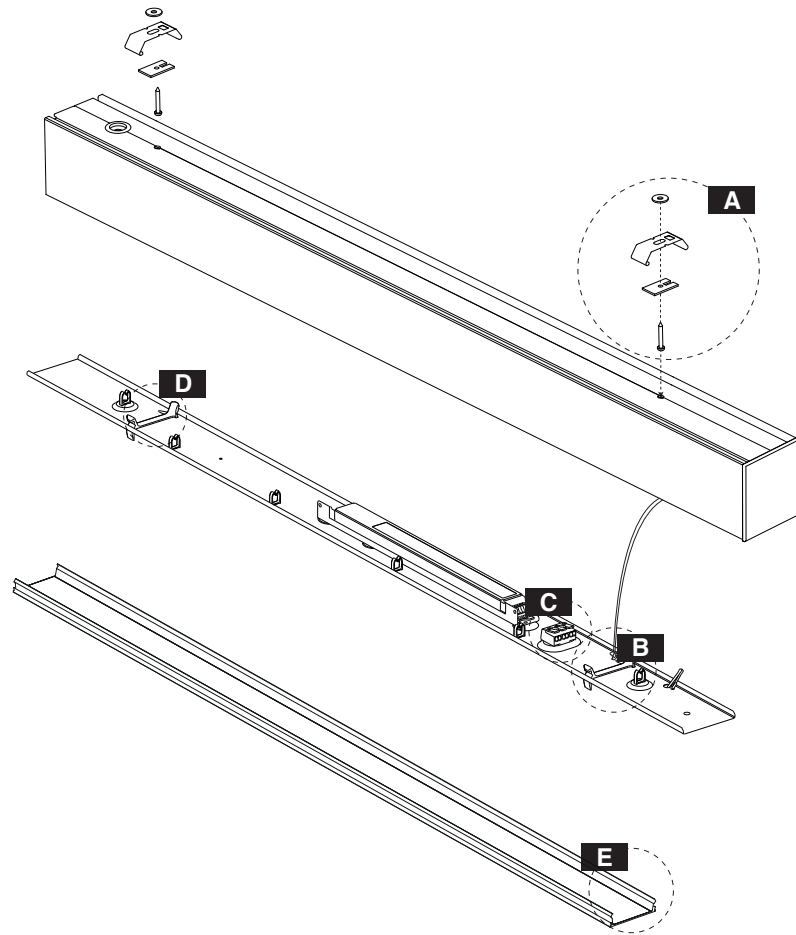
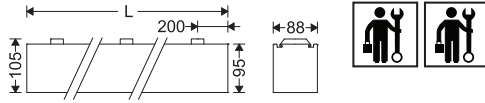
7002013415

www.megalite.com info@megalite.com



- ⚠
- 1- For proper utilization of this product and safety, it is mandatory to closely comply with the directions and notes in this instruction and guide.
  - 2- Earth connection as provided is mandatory.
  - 3- Do not directly touch or impact LED module.
  - 4- Do not stare at LED light source.
  - 5- The light source contained in this luminaire shall only be replaced by the manufacturer or his service agent or a similar qualified person. Always switch off the power prior to installation, maintenance or repair activities.

Cat. No.	L	تعداد براکت نصب Number of installation bracket	W (kg)
M440C601LED2AF...	580	2	2.5
M440C902LED2AF...	860	2	3.5
M440C1152LED2AF...	1140	2	4.5
M440C1453LED2AF...	1425	2	5.0
M440C1703LED2AF...	1705	3	5.5
M440C2004LED2AF...	1985	3	6.5
M440C2304LED2AF...	2265	3	7.5

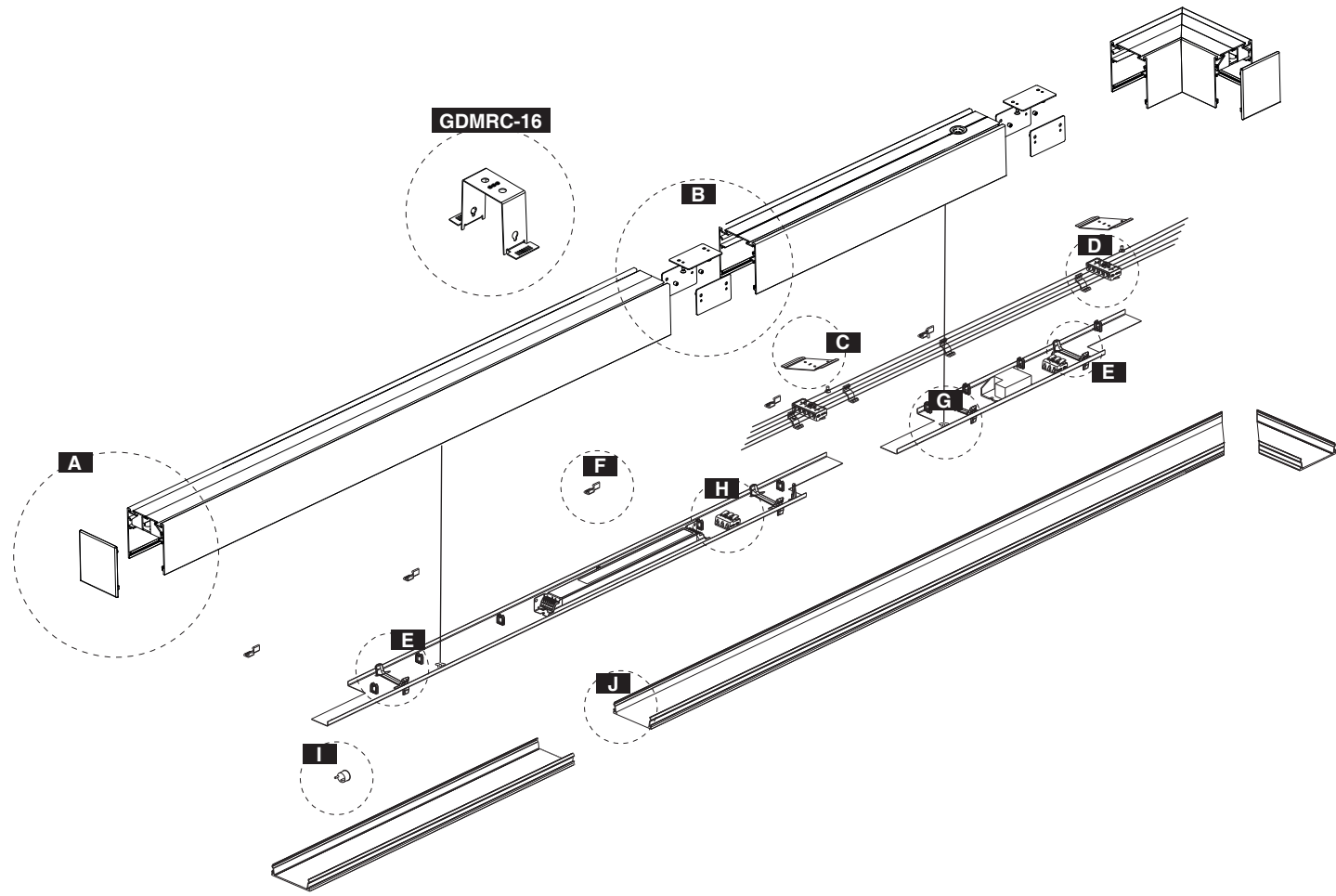


7002013513

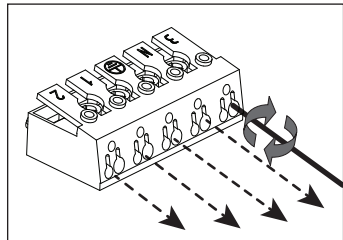
www.megalite.com info@megalite.com



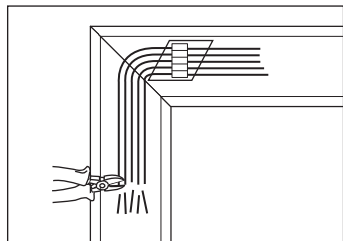
- 1- For proper utilization of this product and for safety, it is mandatory to closely comply with the directions and notes in this installation and maintenance guide.
- 2- Earth connection as provided is mandatory.
- 3- Do not directly touch or impact LED module.
- 4- Do not stare at LED light source.



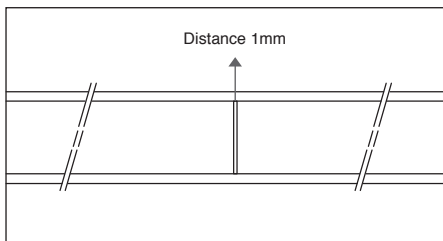
**Attention!**



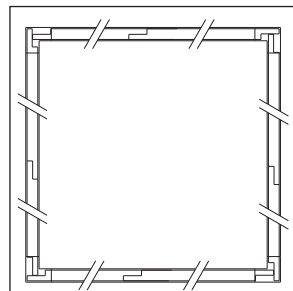
Dispart the wires from the last terminal at the end



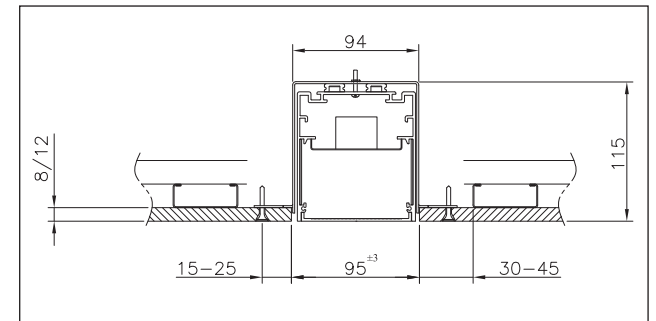
Cut the terminal wires as needed at the jointed connectors.



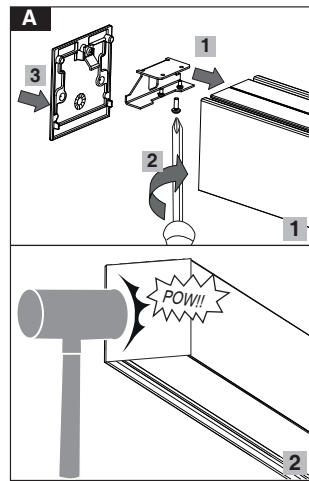
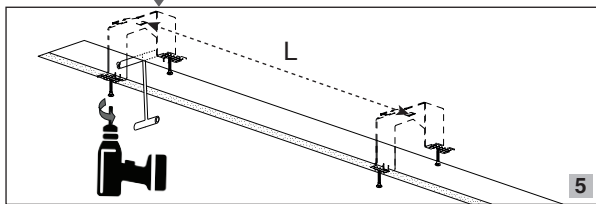
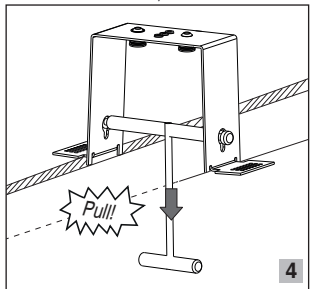
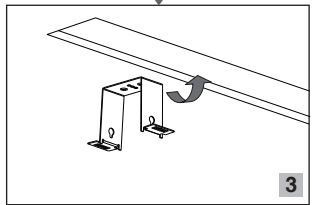
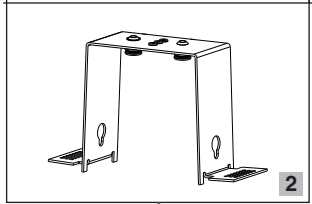
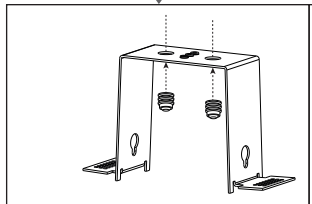
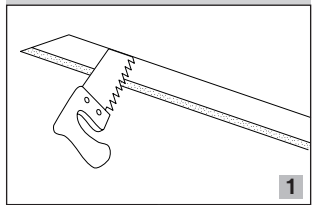
Consider 1mm space between housing profile and diffuser in every 3m luminaire length



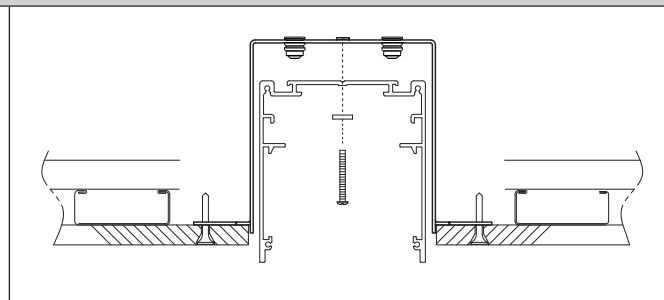
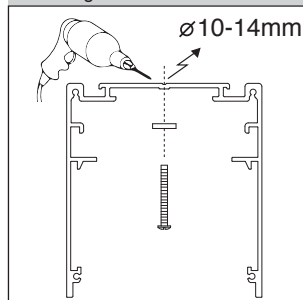
Gear tray placement as a sample in fluorescent models with diffuser



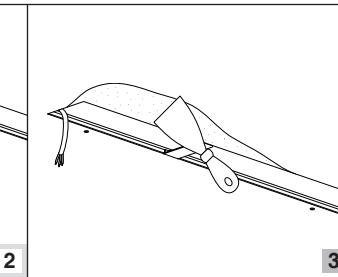
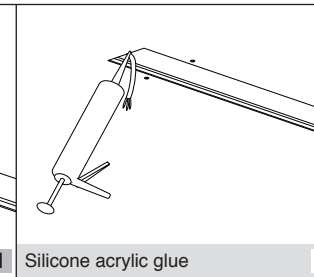
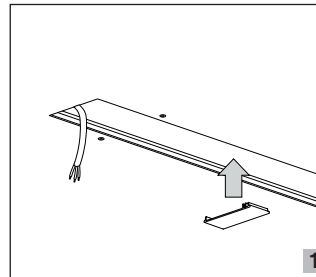
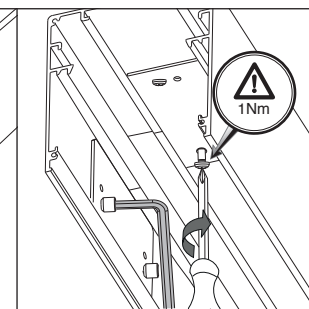
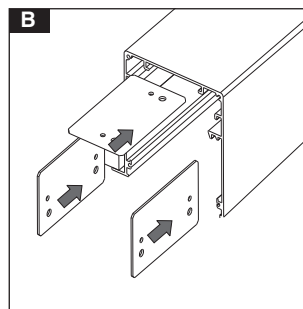
GDMRC-16



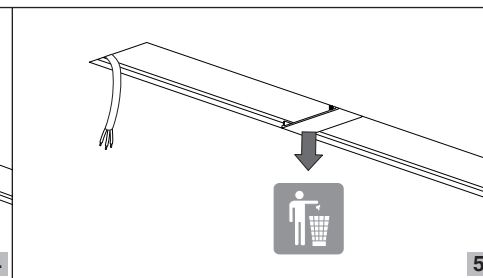
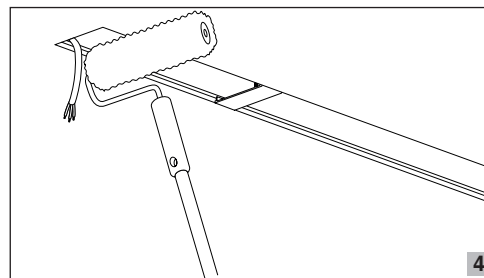
Mounting the luminaire



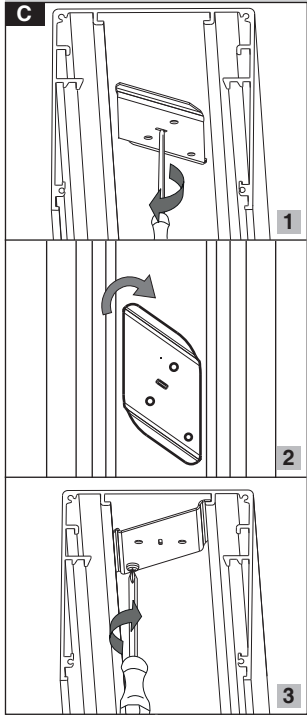
Distance= L



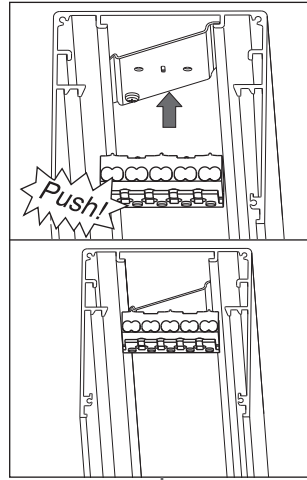
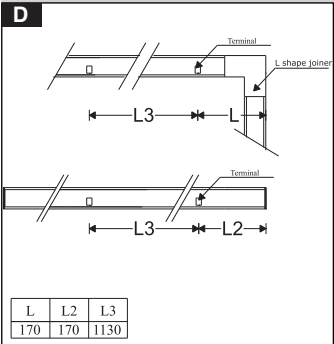
1 Silicone acrylic glue



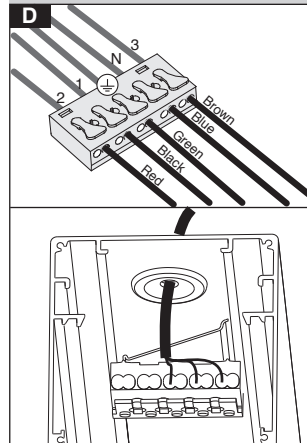
Terminal base mounting



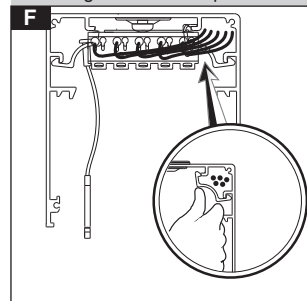
Terminal mounting



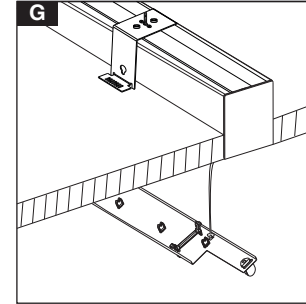
Main power connection



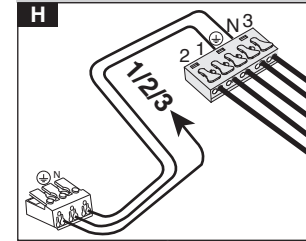
Mounting wire holder clips



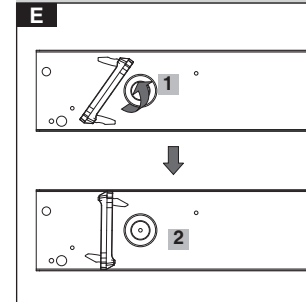
Gear tray suspension



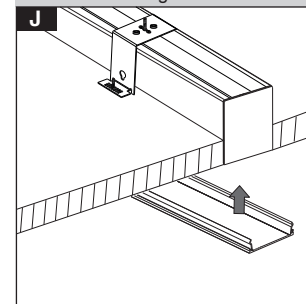
Gear tray to housing terminal wiring



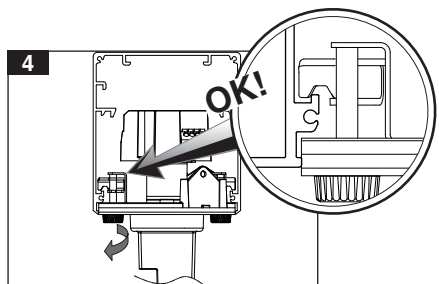
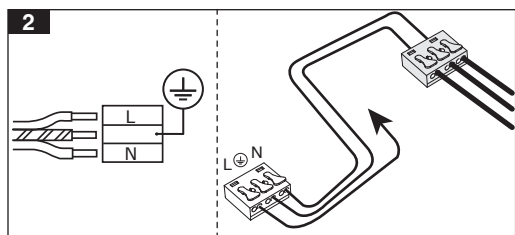
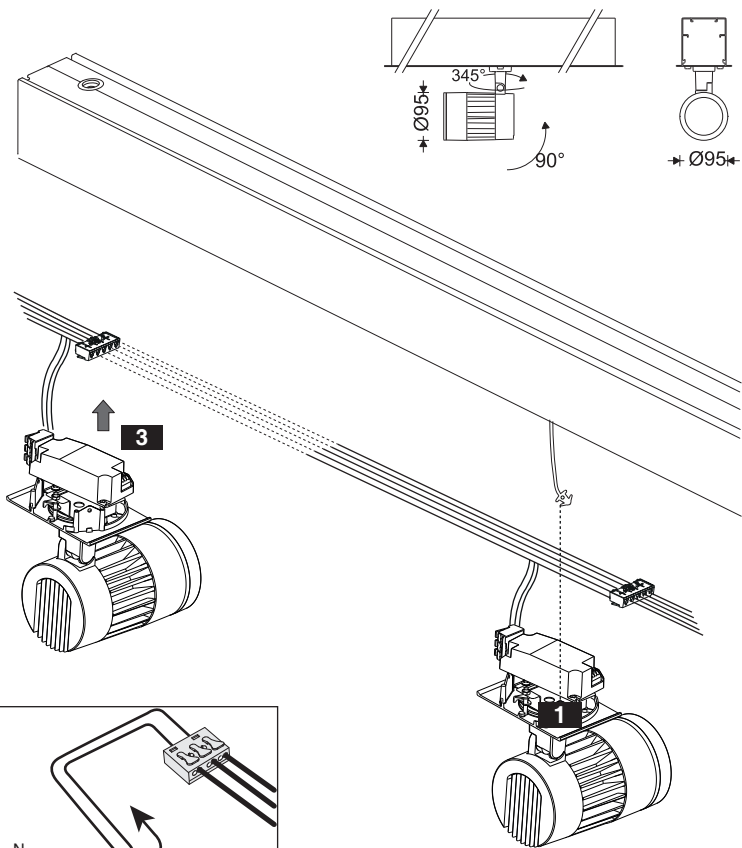
Mounting gear tray to housing



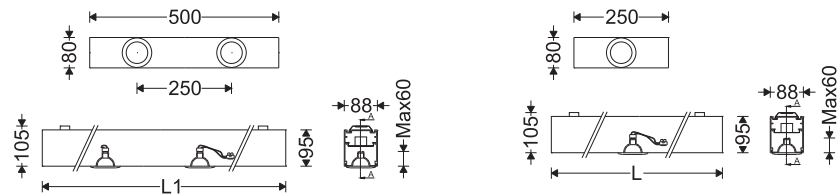
Diffuser mounting



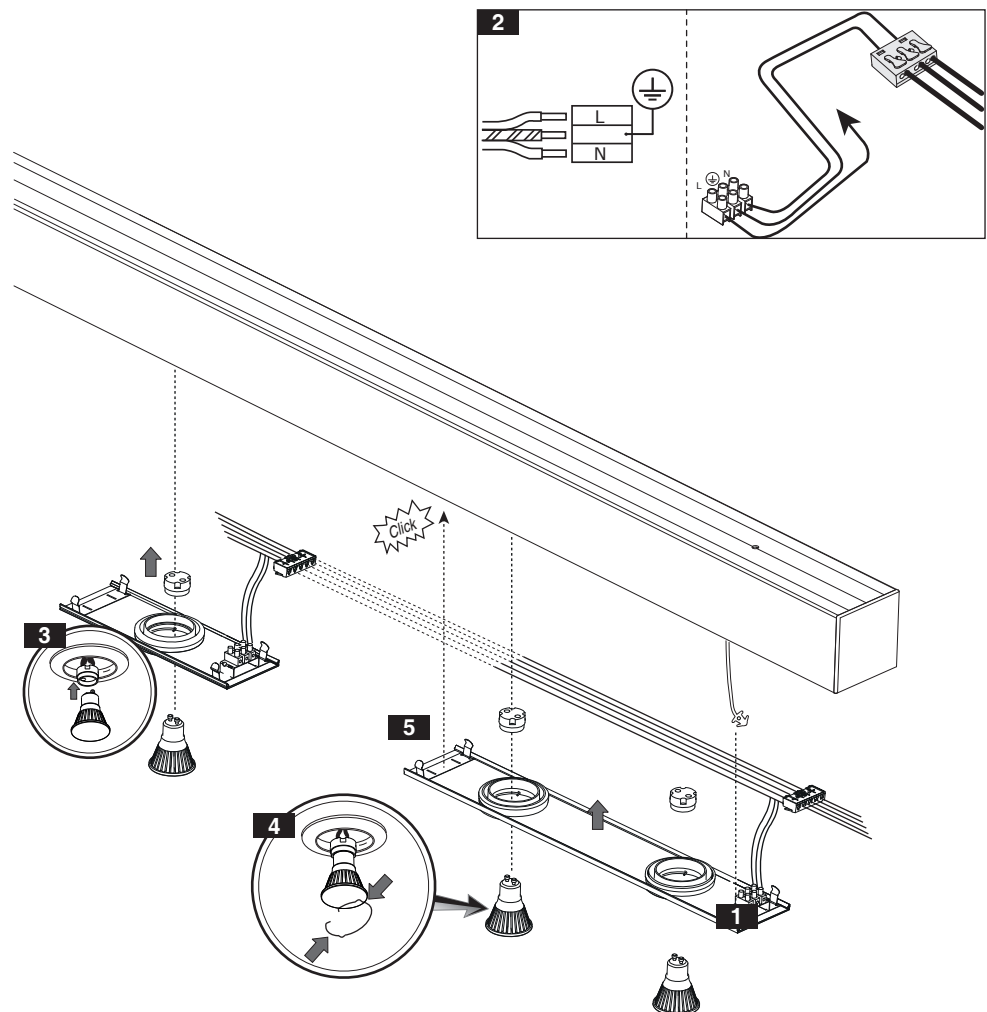
**NOVATRON**



**ALFA**



Use 220-240V LED lamp suitable for Gu10 lamp holder.



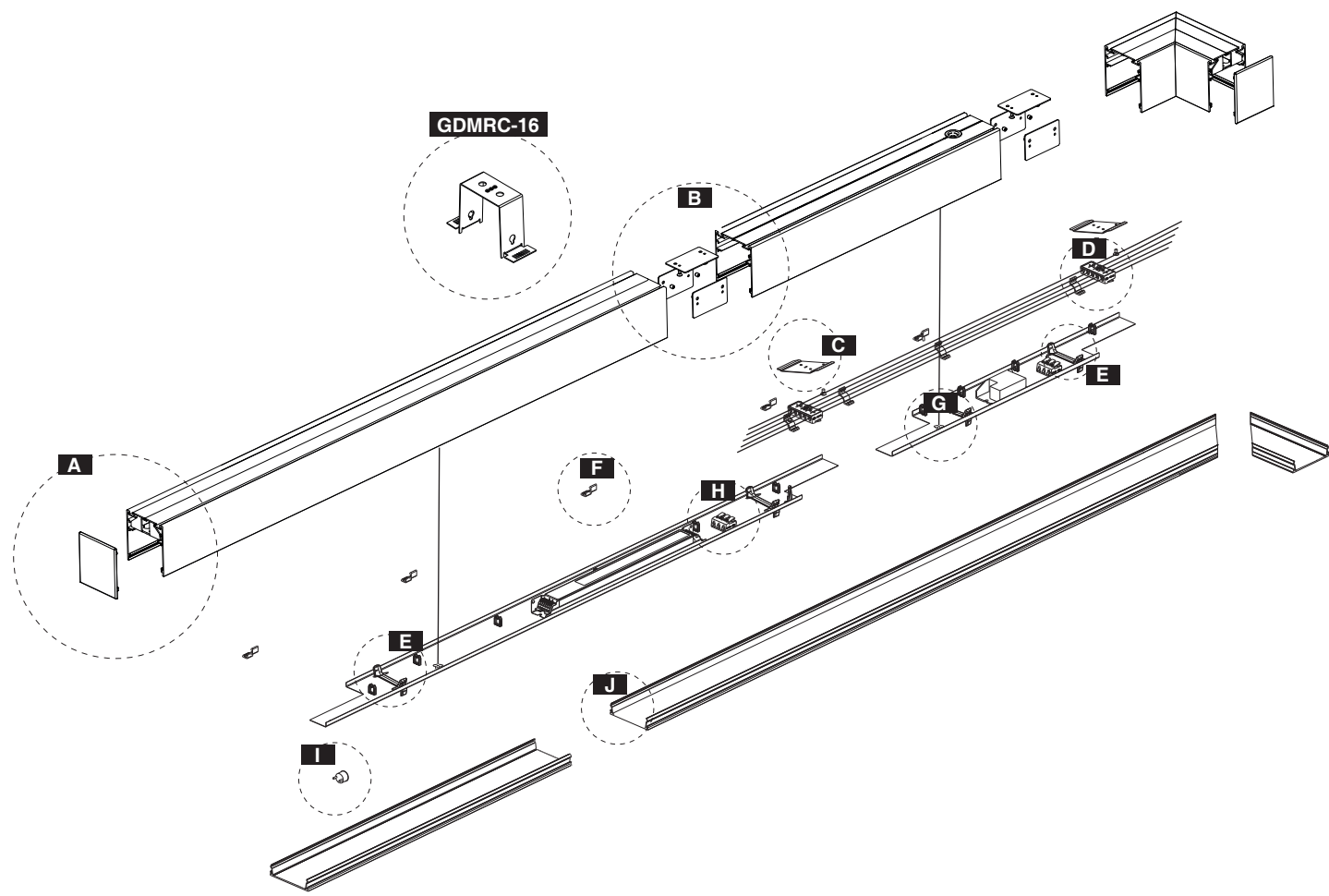
7002014906

www.megalite.com info@megalite.com

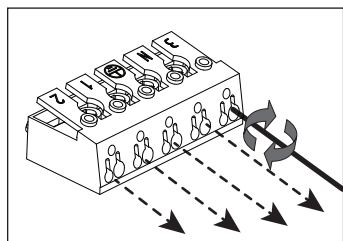


- 1- For proper utilization of this product and for safety, it is mandatory to closely comply with the directions and notes in this installation and maintenance guide.
- 2- Earth connection as provided is mandatory.
- 3- Do not directly touch or impact LED module.
- 4- Do not stare at LED light source.

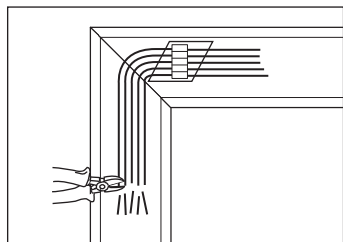




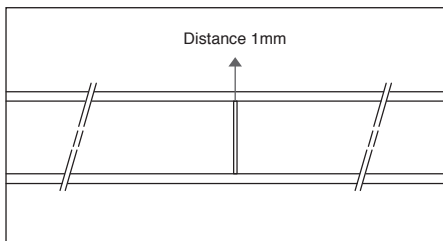
**Attention!**



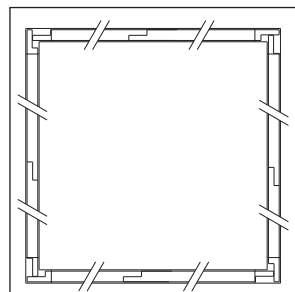
Dispart the wires from the last terminal at the end



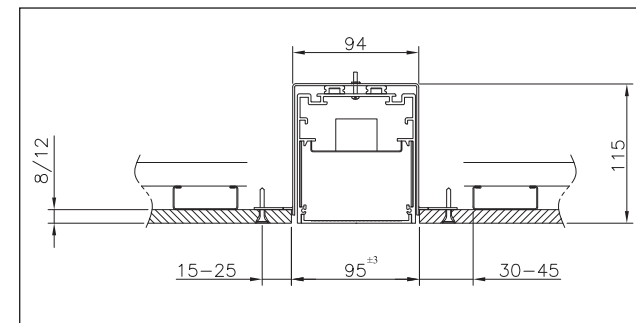
Cut the terminal wires as needed at the jointed connectors.



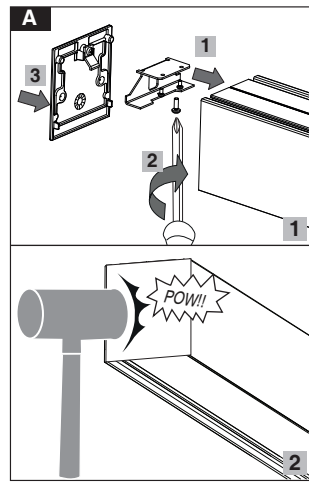
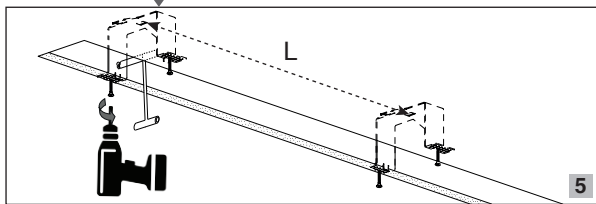
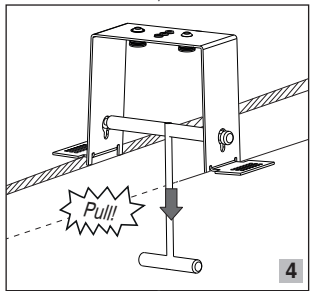
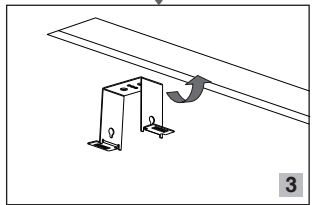
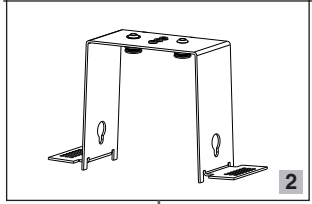
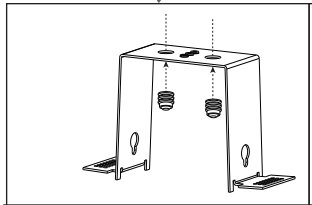
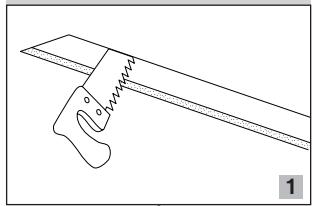
Consider 1mm space between housing profile and diffuser in every 3m luminaire length



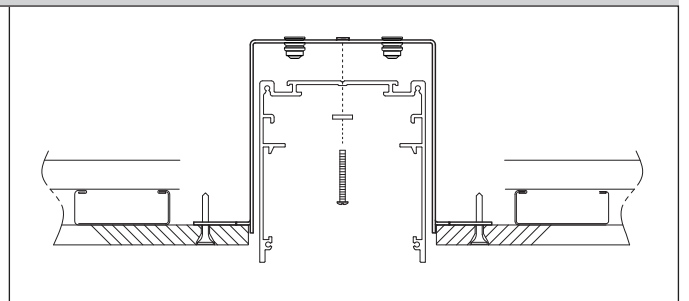
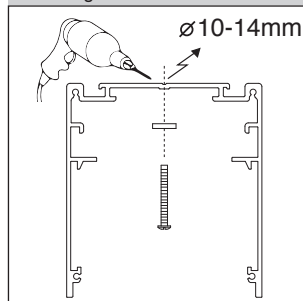
Gear tray placement as a sample in fluorescent models with diffuser



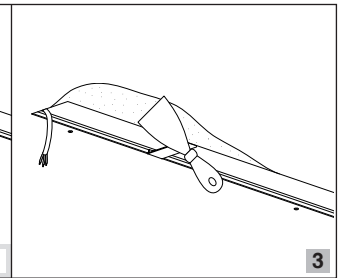
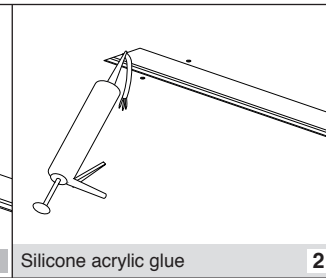
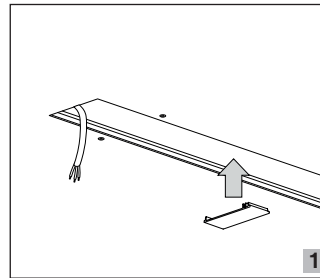
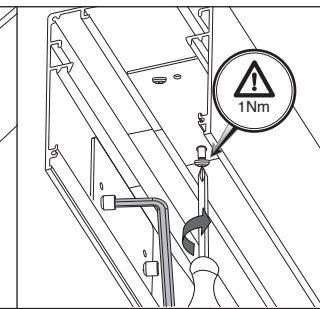
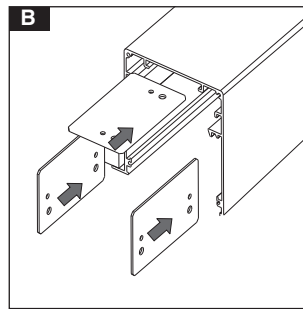
GDMRC-16



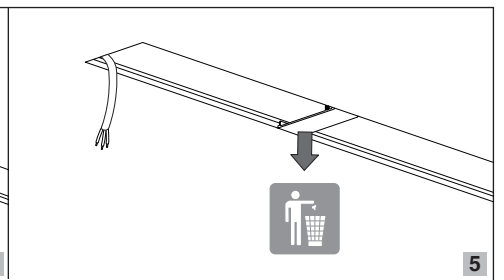
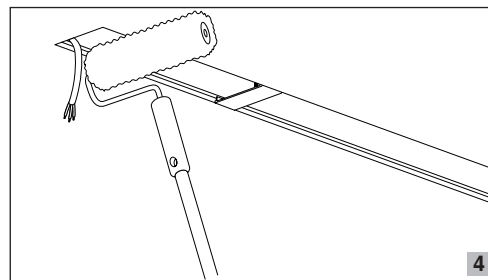
Mounting the luminaire



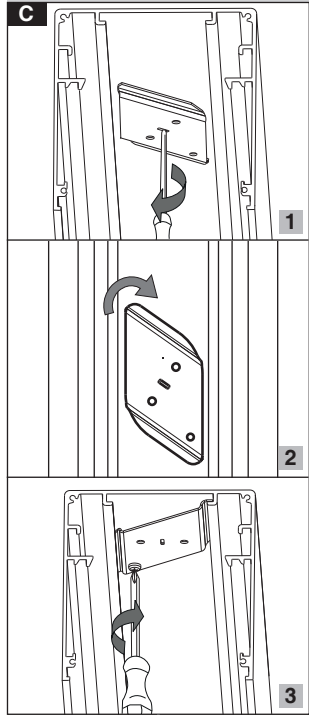
Distance= L



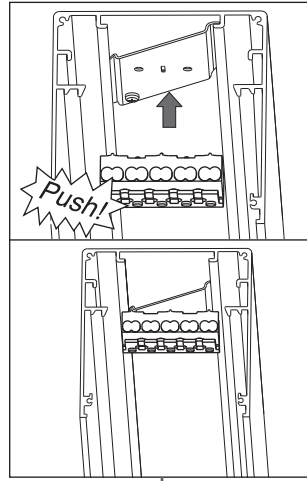
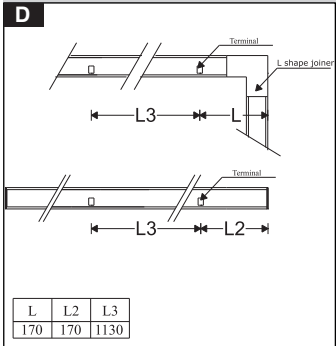
Silicone acrylic glue



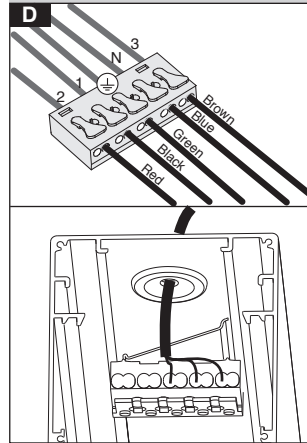
Terminal base mounting



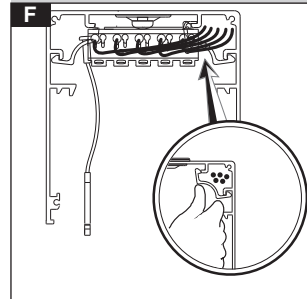
Terminal mounting



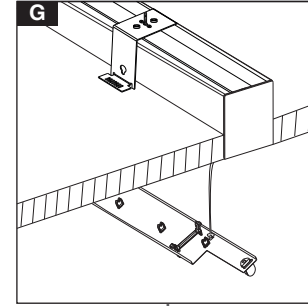
Main power connection



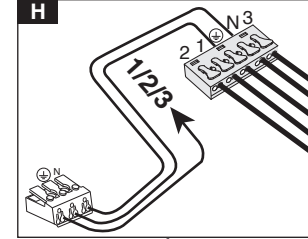
Mounting wire holder clips



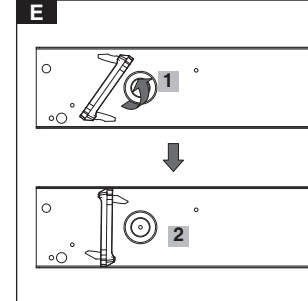
Gear tray suspension



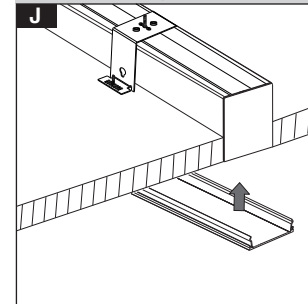
Gear tray to housing terminal wiring



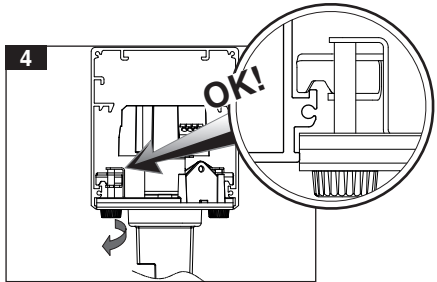
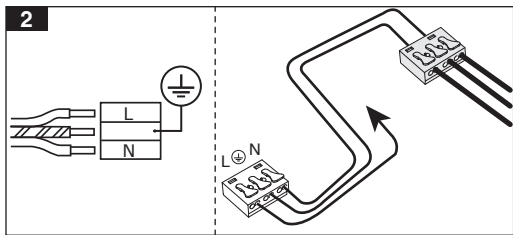
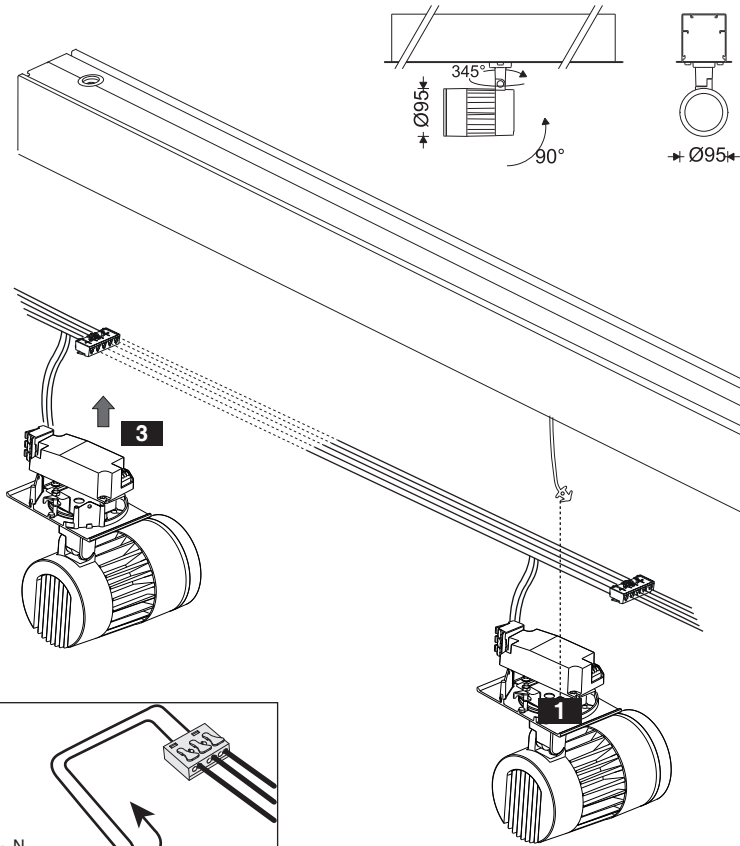
Mounting gear tray to housing



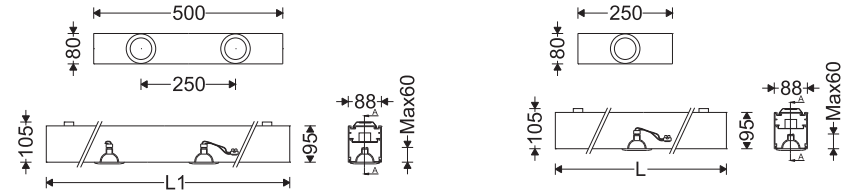
Diffuser mounting



**NOVATRON**



**ALFA**



Use 220-240V LED lamp suitable for Gu10 lamp holder.

