

7002012915

www.megalite.com info@megalite.com

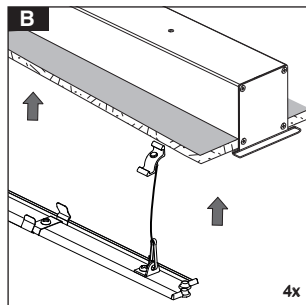
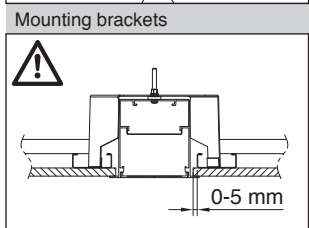
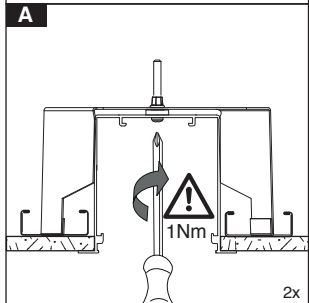
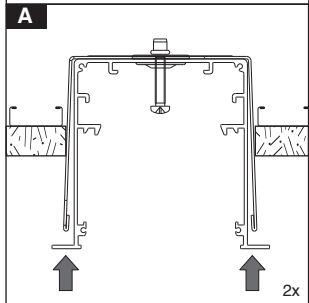
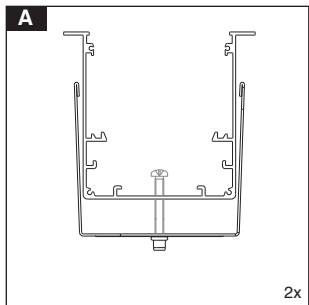


- 1- For proper utilization of this product and for safety, it is mandatory to closely comply with the directions and notes in this installation and maintenance guide.
- 2- Earth connection as provided is mandatory.
- 3- Do not directly touch or impact LED module.
- 4- Do not stare at LED light source.

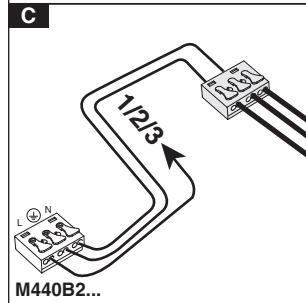
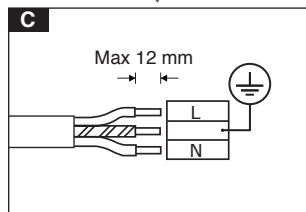




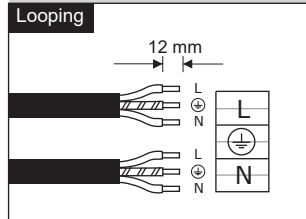
± 3 ± 3
95 x L



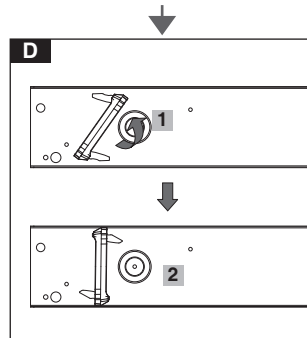
Gear tray suspension



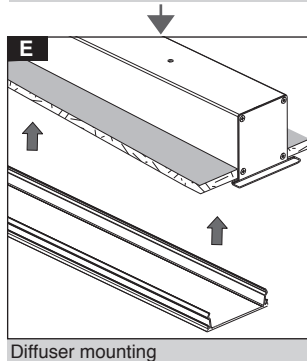
Gear tray to housing terminal wiring



Looping

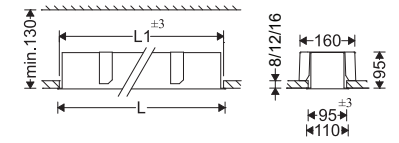


Mounting gear tray to housing

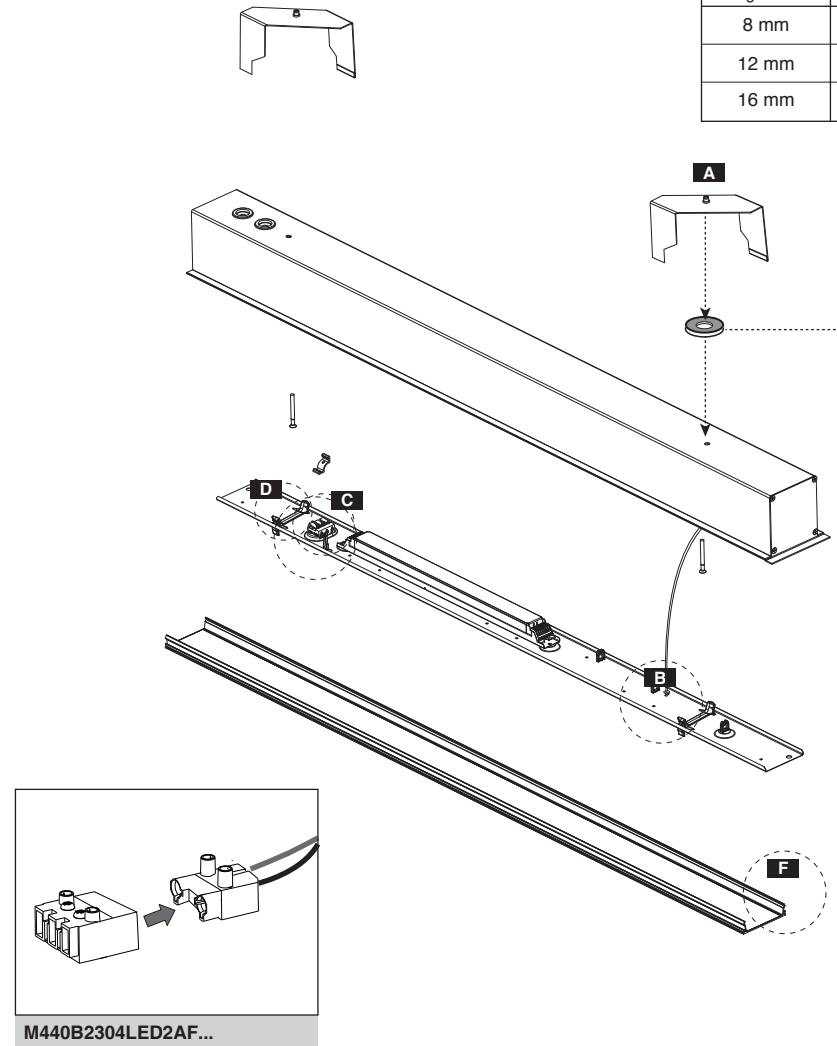


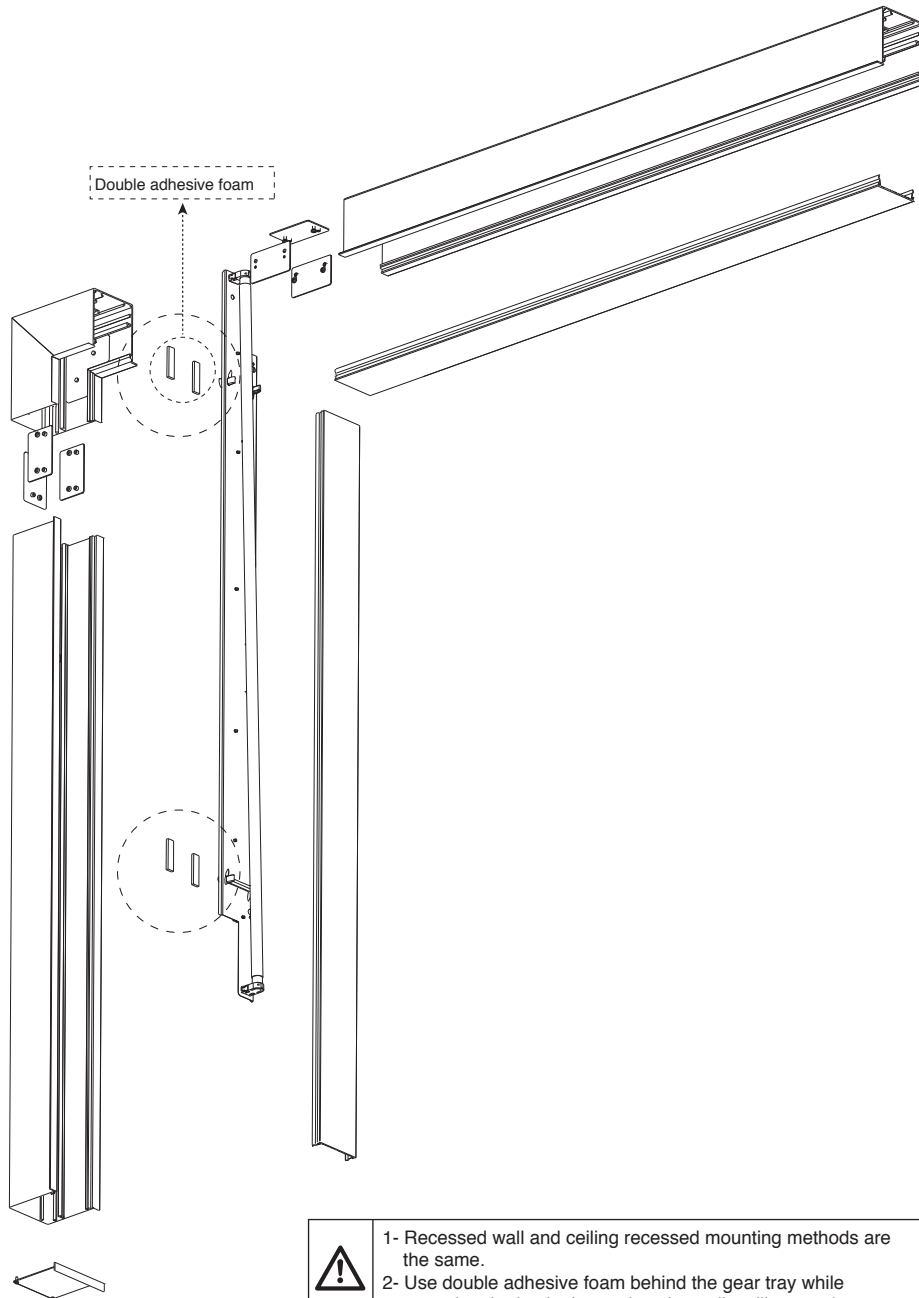
Diffuser mounting


Cat. No.	L	L1	Number of installation bracket
M440B601LED2AF...	600	583	2
M440B902LED2AF...	880	863	2
M440B1152LED2AF...	1160	1143	2
M440B1453LED2AF...	1445	1428	2
M440B1703LED2AF...	1725	1710	3
M440B2004LED2AF...	2005	1988	3
M440B2304LED2AF...	2285	2270	3



Ceiling thickness	Number of washers
8 mm	0
12 mm	1
16 mm	2






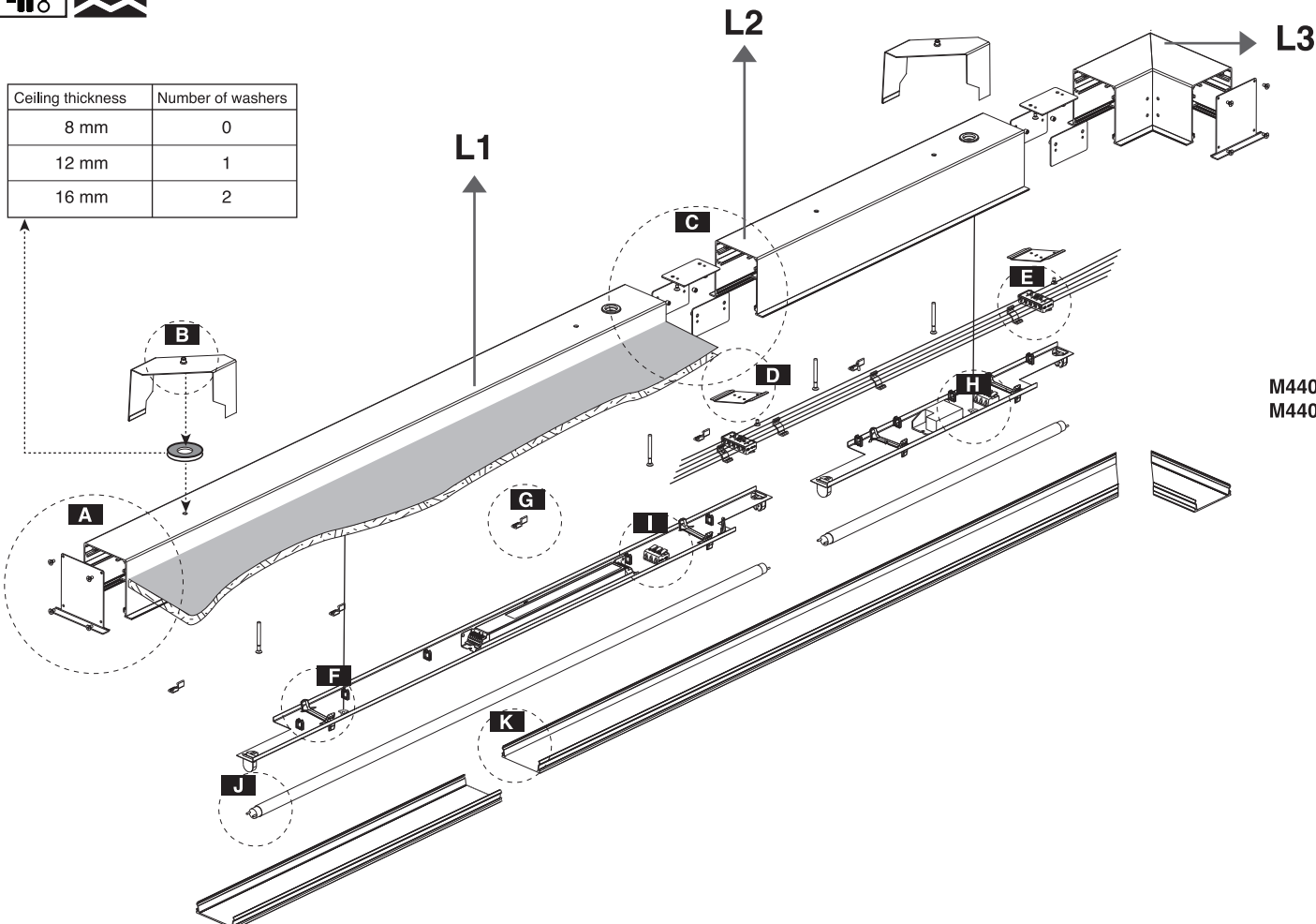
- | | |
|---|---|
|  | <p>1- Recessed wall and ceiling recessed mounting methods are the same.</p> <p>2- Use double adhesive foam behind the gear tray while mounting the luminaire against the wall as illustrated.</p> |
|---|---|

7002011116

www.megalite.com info@megalite.com



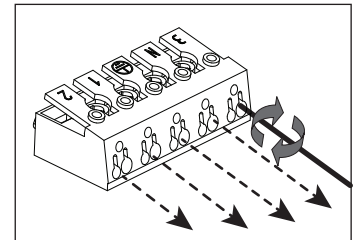
- | | |
|---|---|
|  | <p>1- For proper utilization of this product and for safety, it is mandatory to closely comply with the directions and notes in this installation and maintenance guide.</p> <p>2- Earth connection as provided is mandatory.</p> <p>3- Do not directly touch or impact LED module.</p> <p>4- Do not stare at LED light source.</p> |
|---|---|



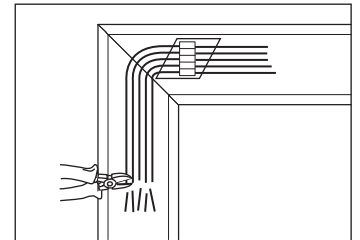
Ceiling thickness	Number of washers
8 mm	0
12 mm	1
16 mm	2

M440B1...
M440B2...

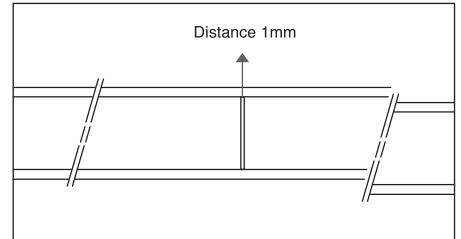
Attention!



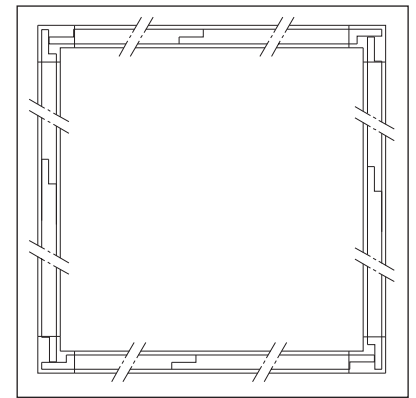
Dispart the wires from the last terminal at the end



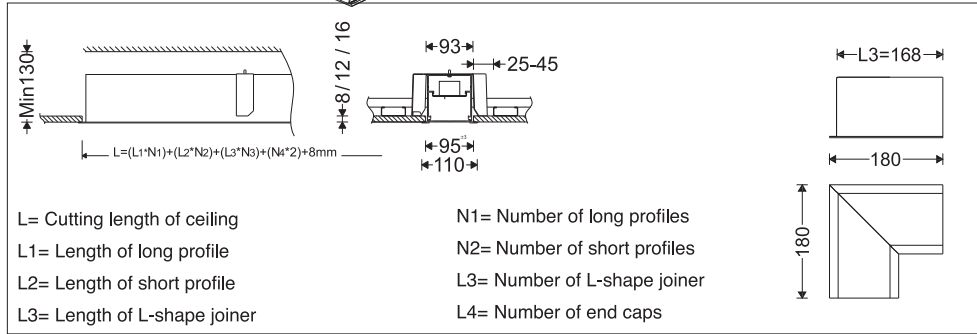
Cut the terminal wires as needed at the jointed connectors.



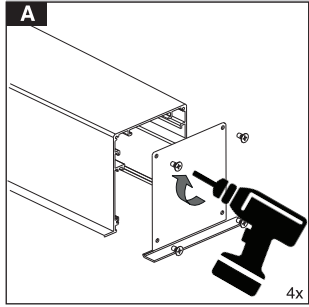
Consider 1mm space between housing profile and diffuser in every 3m luminaire length



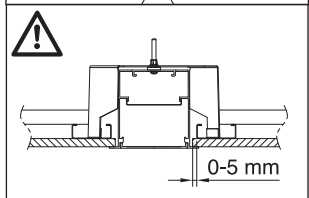
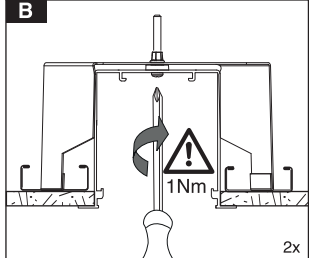
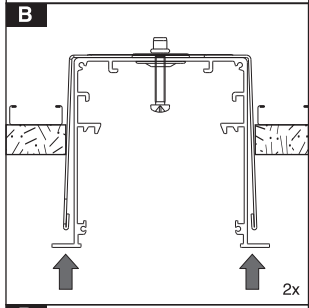
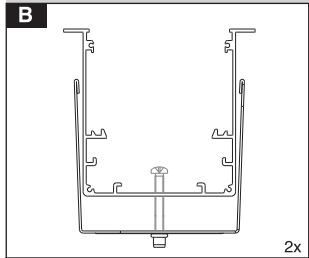
Gear tray placement as a sample in fluorescent models with diffuser



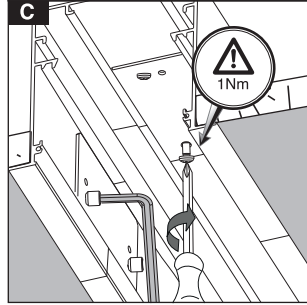
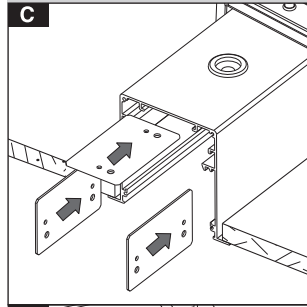
End caps mounting



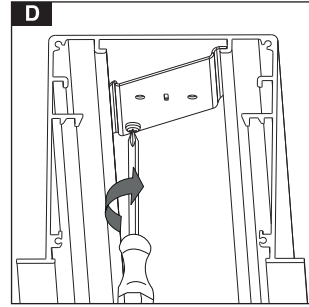
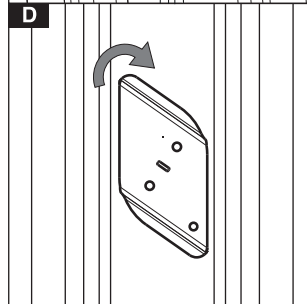
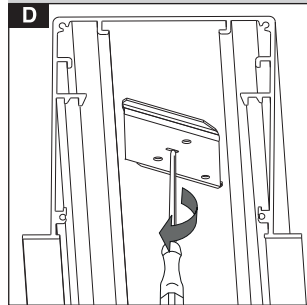
Mounting brackets



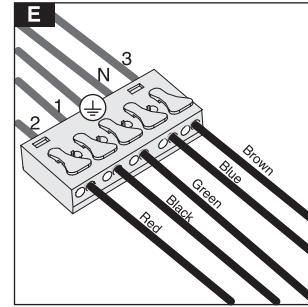
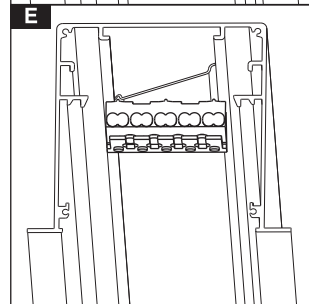
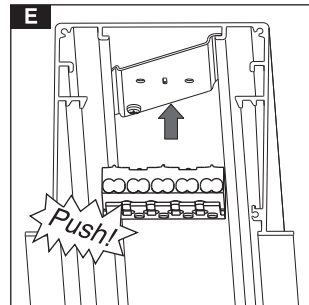
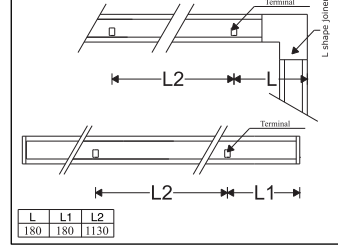
Mounting joiners



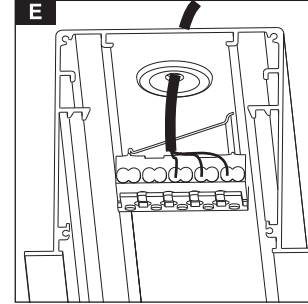
Terminal base mounting



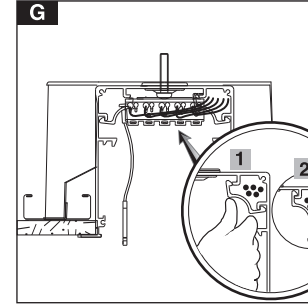
Terminal mounting:



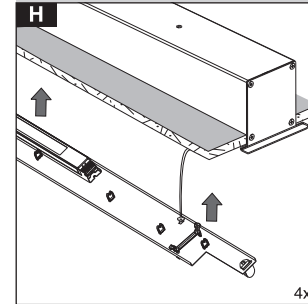
Main power connection



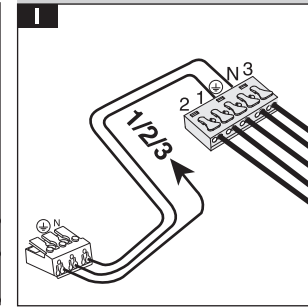
Mounting wire holder clips



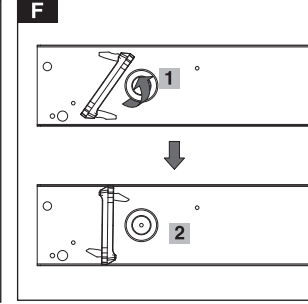
Gear tray suspension



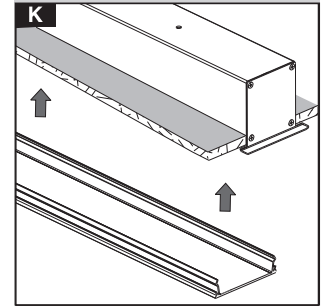
Gear tray to housing terminal wiring



Mounting gear tray to housing

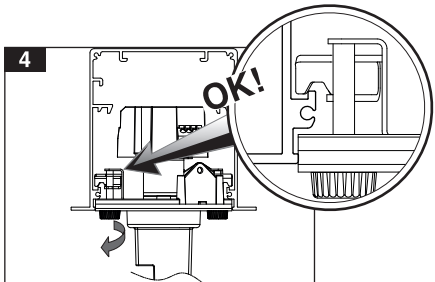
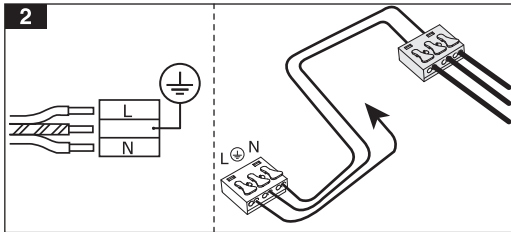
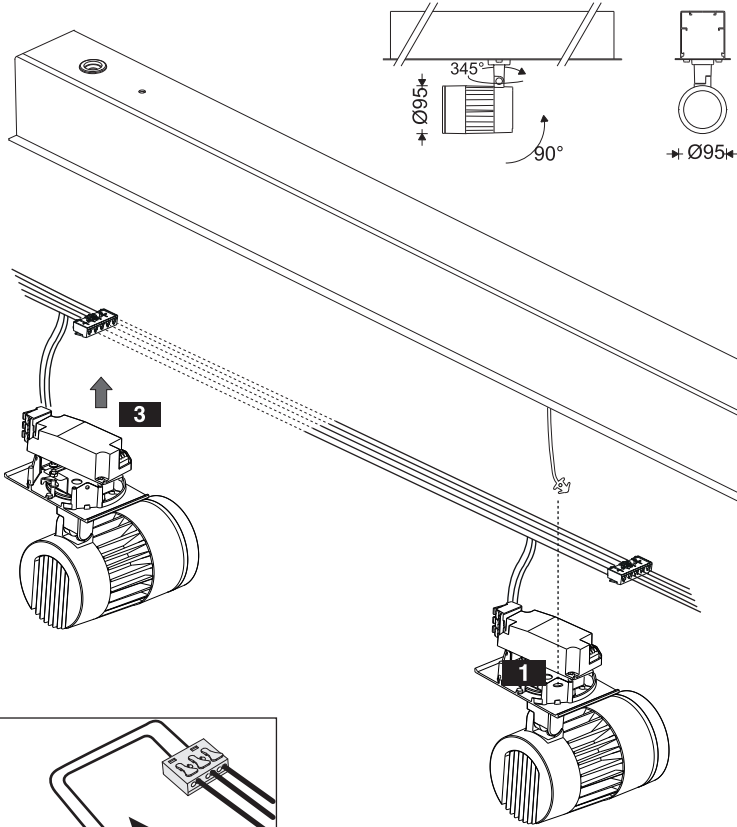


Diffuser mounting

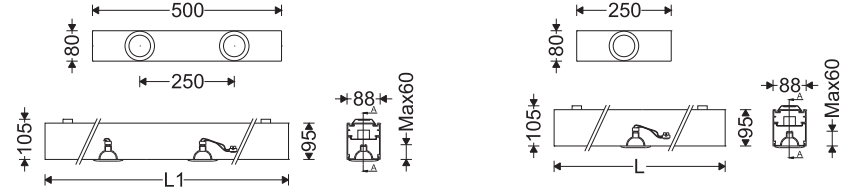


INFINITY-B recessed continuous light bar in combination with **NOVATRON** and **ALFA** spotlights

NOVATRON



ALFA



Use 220-240V LED lamp suitable for Gu10 lamp holder.

