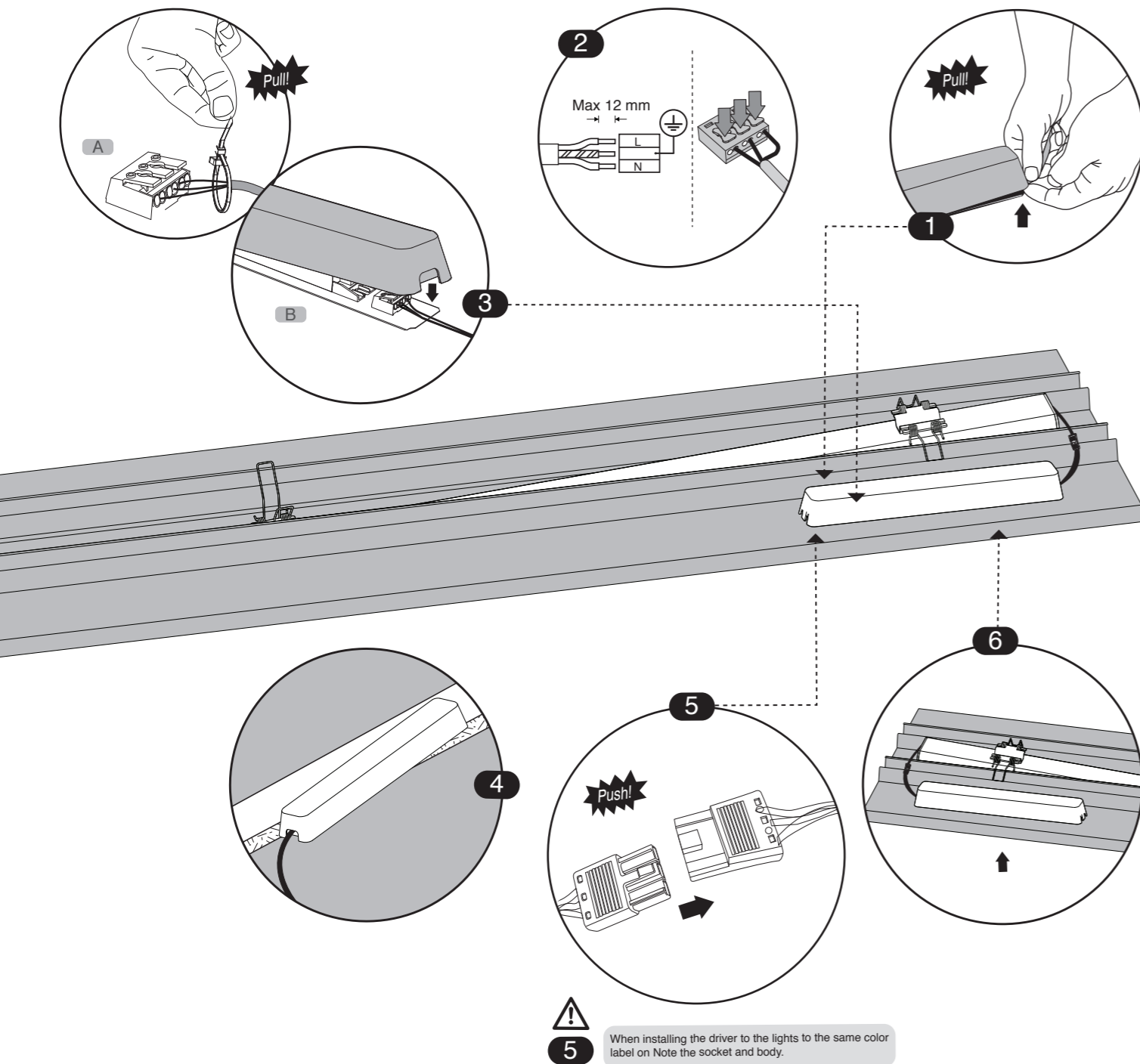
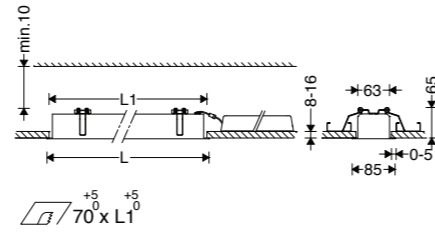
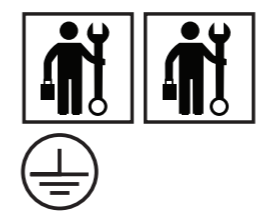


| Cat. No | L | L1 | Number of installation bracket |
|-----------------------------------|-------|-------|--------------------------------|
| M440DS60LED2AF-W + GDRIVERKITDS2 | 590 | 576 | 2 |
| M440DS90LED2AF-W + GDRIVERKITDS2 | 870 | 856 | 2 |
| M440DS115LED2AF-W + GDRIVERKITDS3 | 1,150 | 1,136 | 2 |
| M440DS145LED2AF-W + GDRIVERKITDS3 | 1,430 | 1,416 | 2 |
| M440DS170LED2AF-W + GDRIVERKITDS3 | 1,710 | 1,696 | 3 |
| M440DS200LED2AF-W + GDRIVERKITDS1 | 1,990 | 1,976 | 3 |



5 When installing the driver to the lights to the same color label on Note the socket and body.

www.megalite.com info@megalite.com 7002021604



- !**
- 1- For proper utilization of this product and for safety, it is mandatory to closely comply with the directions and notes in this installation and maintenance guide.
 - 2- Earth connection as provided is mandatory.
 - 3- Do not directly touch or impact LED module.
 - 4- Do not stare at LED light source.



INFINITY-DS recessed continuous light bar

| Cat. No | L2 | Number of installation bracket |
|------------------------------------|------|--------------------------------|
| M440DSS60LED2AF-W + GDRIVERKITDS2 | 565 | 2 |
| M440DSS90LED2AF-W + GDRIVERKITDS2 | 845 | 2 |
| M440DSS115LED2AF-W + GDRIVERKITDS3 | 1125 | 2 |
| M440DSS145LED2AF-W + GDRIVERKITDS3 | 1405 | 2 |
| M440DSS170LED2AF-W + GDRIVERKITDS3 | 1685 | 3 |
| M440DSS200LED2AF-W + GDRIVERKITDS1 | 1965 | 3 |

