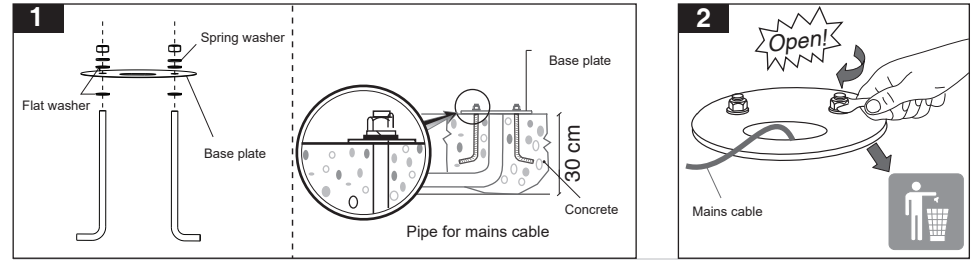


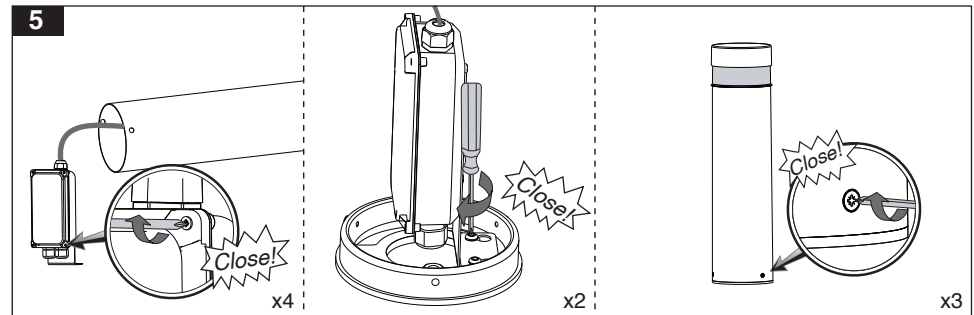
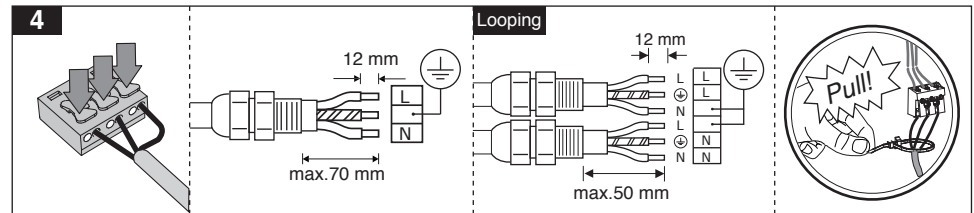
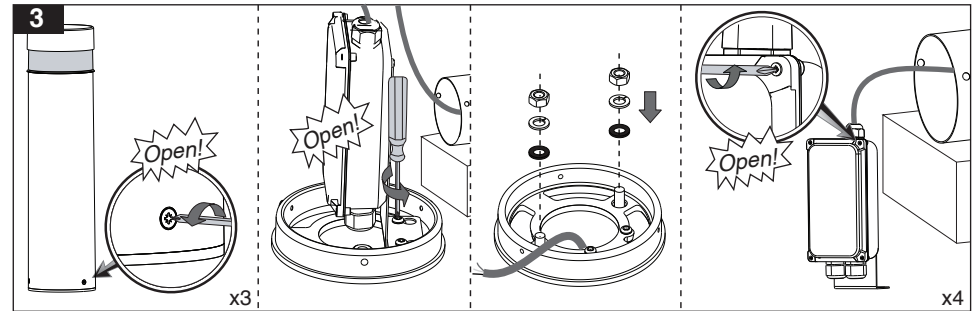
During installation, to prevent from any damage to the body, do not remove the luminaire from the protective nylon until the final step. (step 5)



- 1- For proper utilization of this product and safety, it is mandatory to closely comply with the directions and notes in this instruction and guide.
- 2- Earth connection as provided is mandatory.
- 3- Do not directly touch or impact LED module.
- 4- Do not stare at LED light source.



! Make sure base plate is aligned with the ground during installation.



! Please install the screws in place first, then try to close them.