

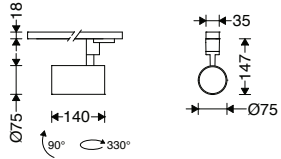
7002021403

www.megalite.com info@megalite.com

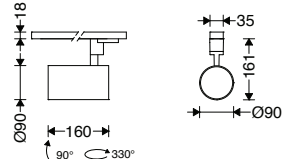


- 1- For proper utilization of this product and safety, it is mandatory to closely comply with the directions and notes in this instruction and guide.
- 2- Do not directly touch or impact LED module.
- 3- Do not stare at LED light source.

HONEY Single-pole Track Light Luminaire

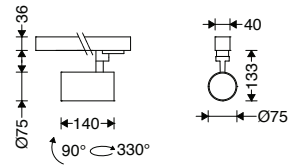


M361EM...

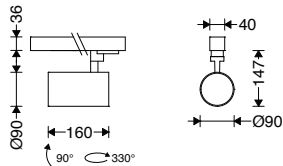


M363EM...

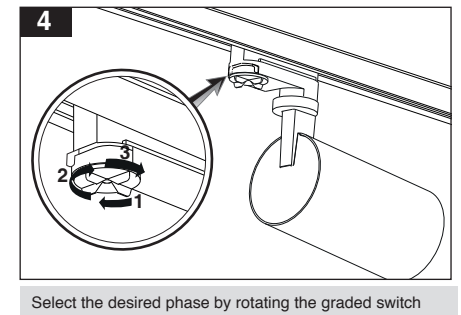
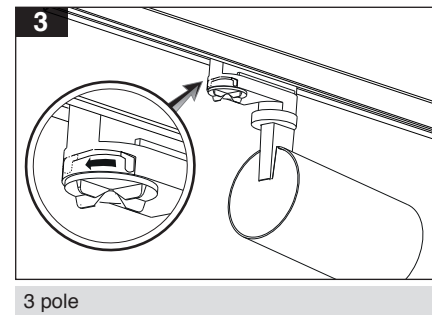
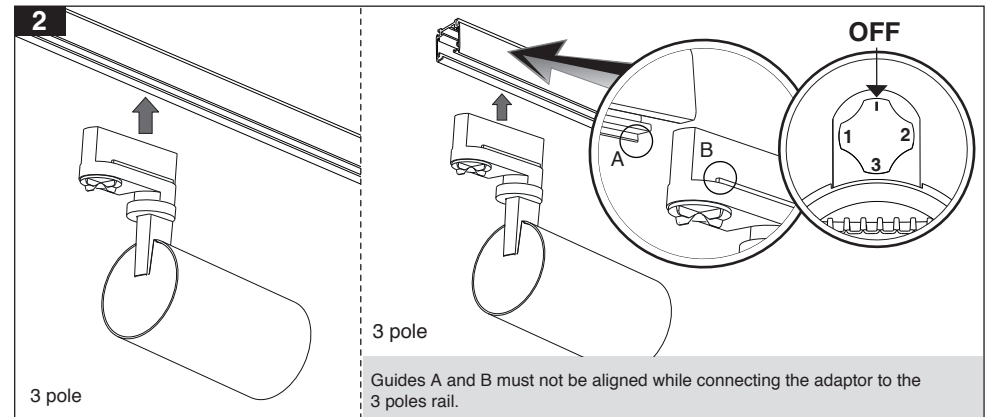
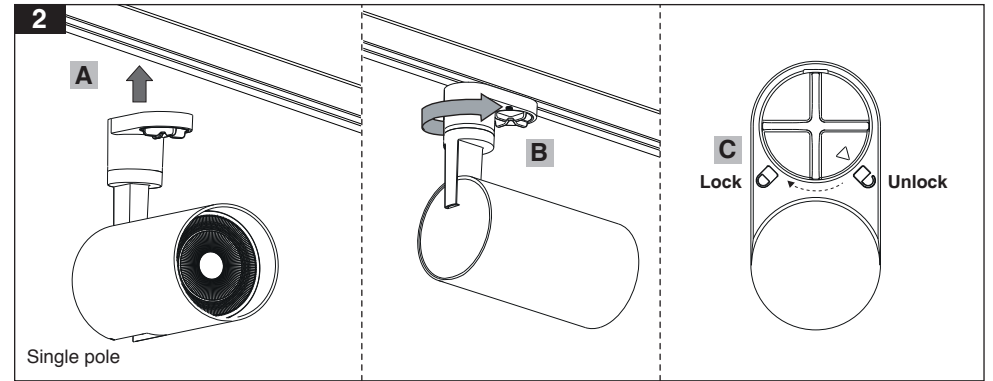
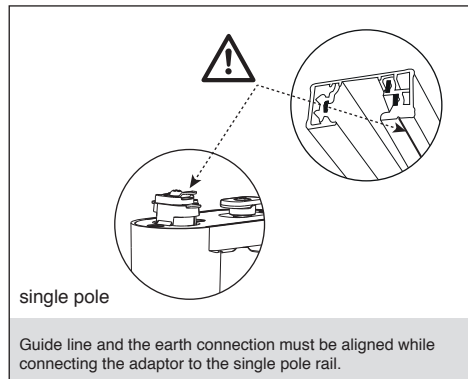
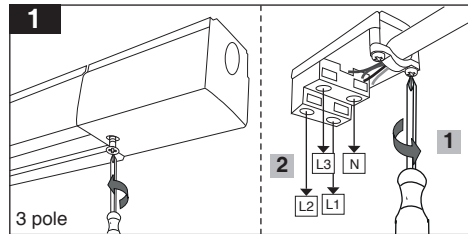
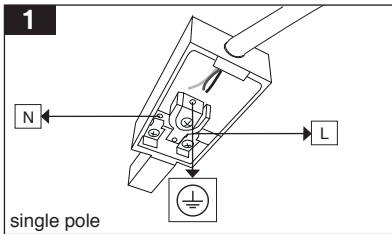
HONEY 3-pole Track Light Luminaire

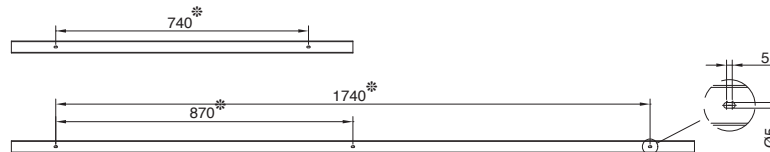


M362EM...

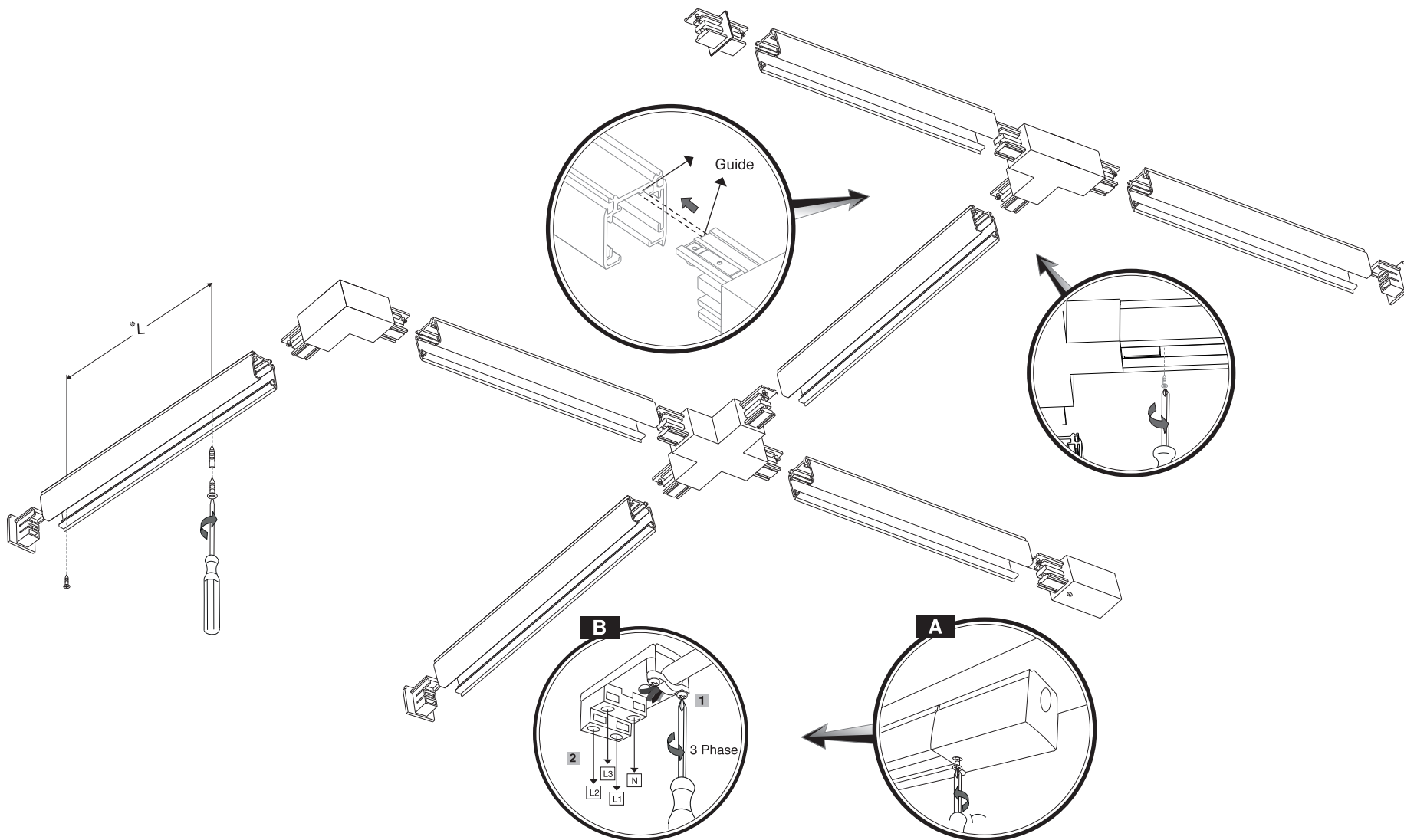


M364EM...



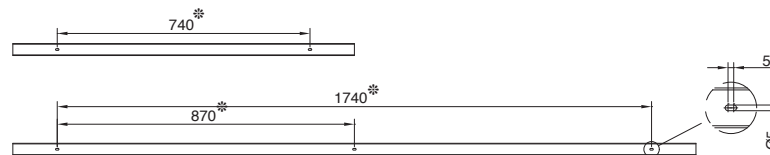


G460STRACKWR410-W
G460STRACKWR420-W

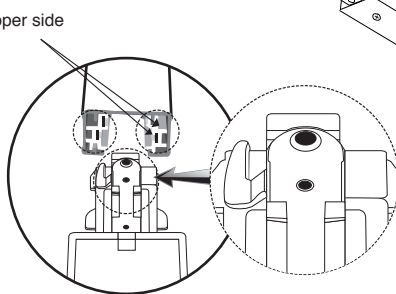
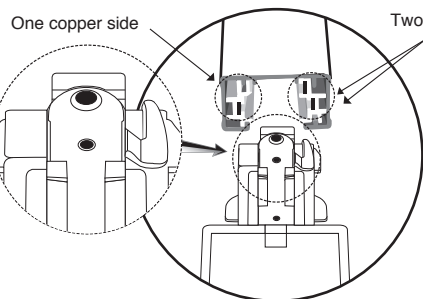
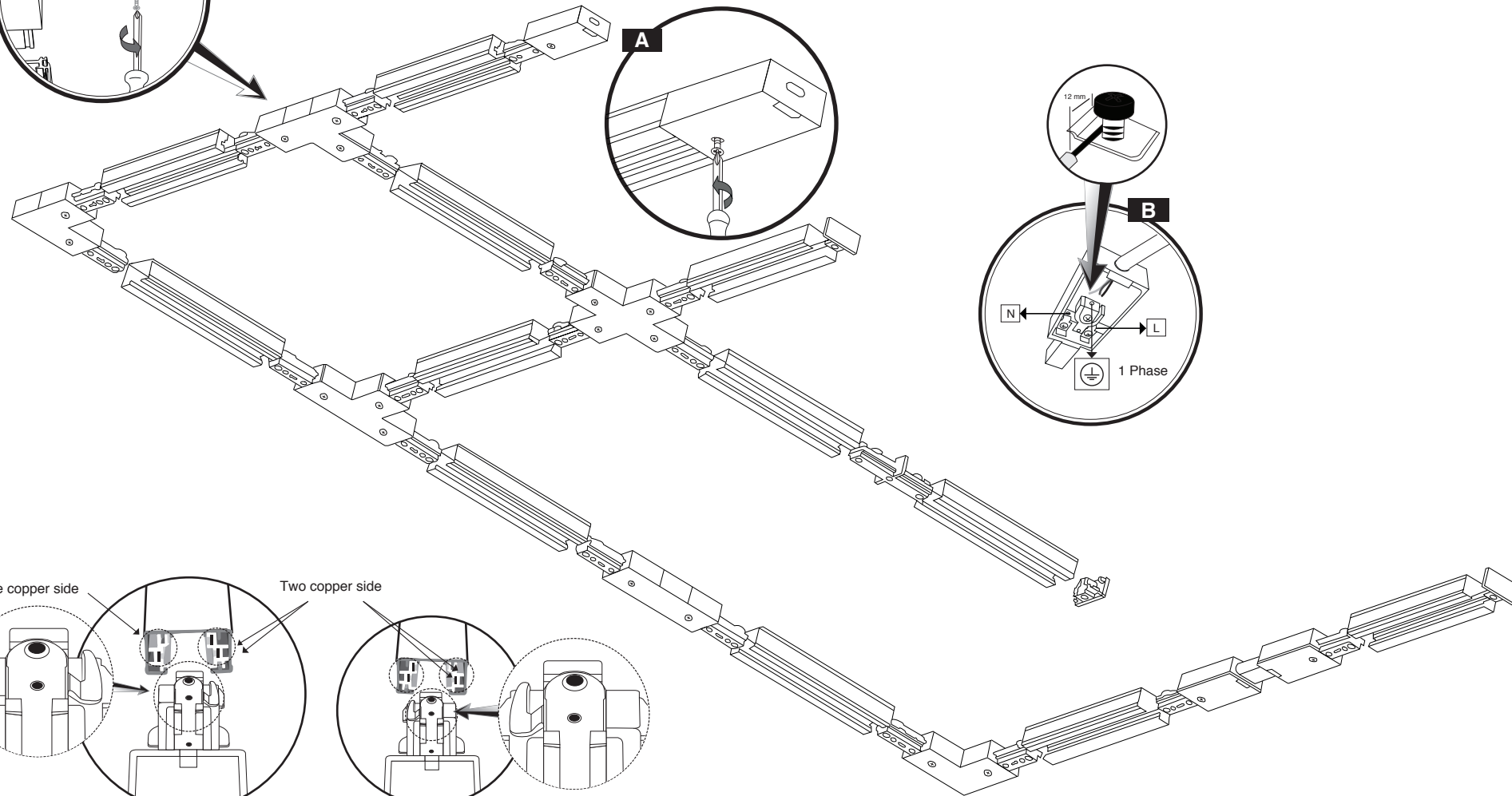
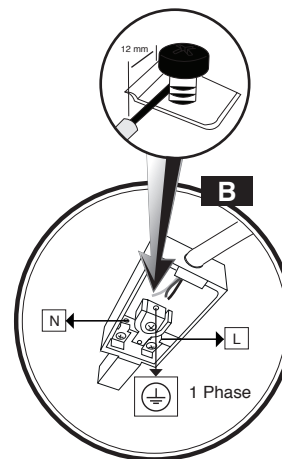
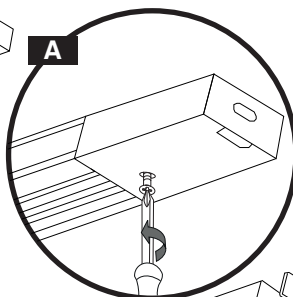
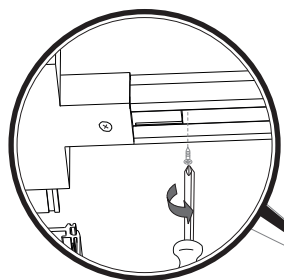


EN

Instruction for installation and utilization of surface mount single- pole track for **NOVATRON**, **LUMERIA** and **HONEY** track light



G464STRACKJBD100-W
G464STRACKJBD200-W



Grounding tab of the connector must be placed on the two copper side of the rail. ⚠

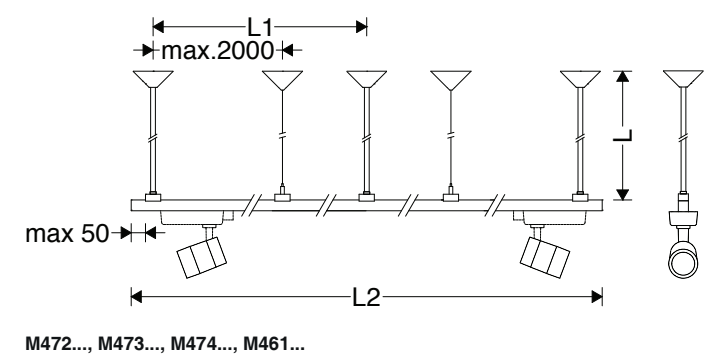
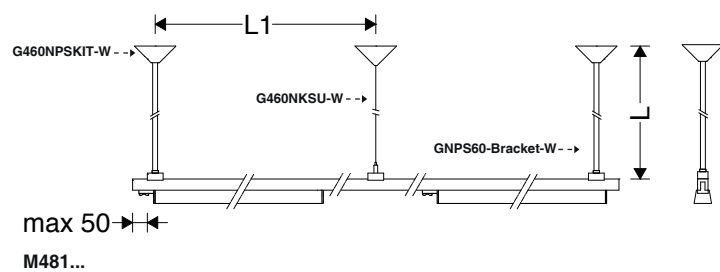
7002024005

www.megalite.com info@megalite.com

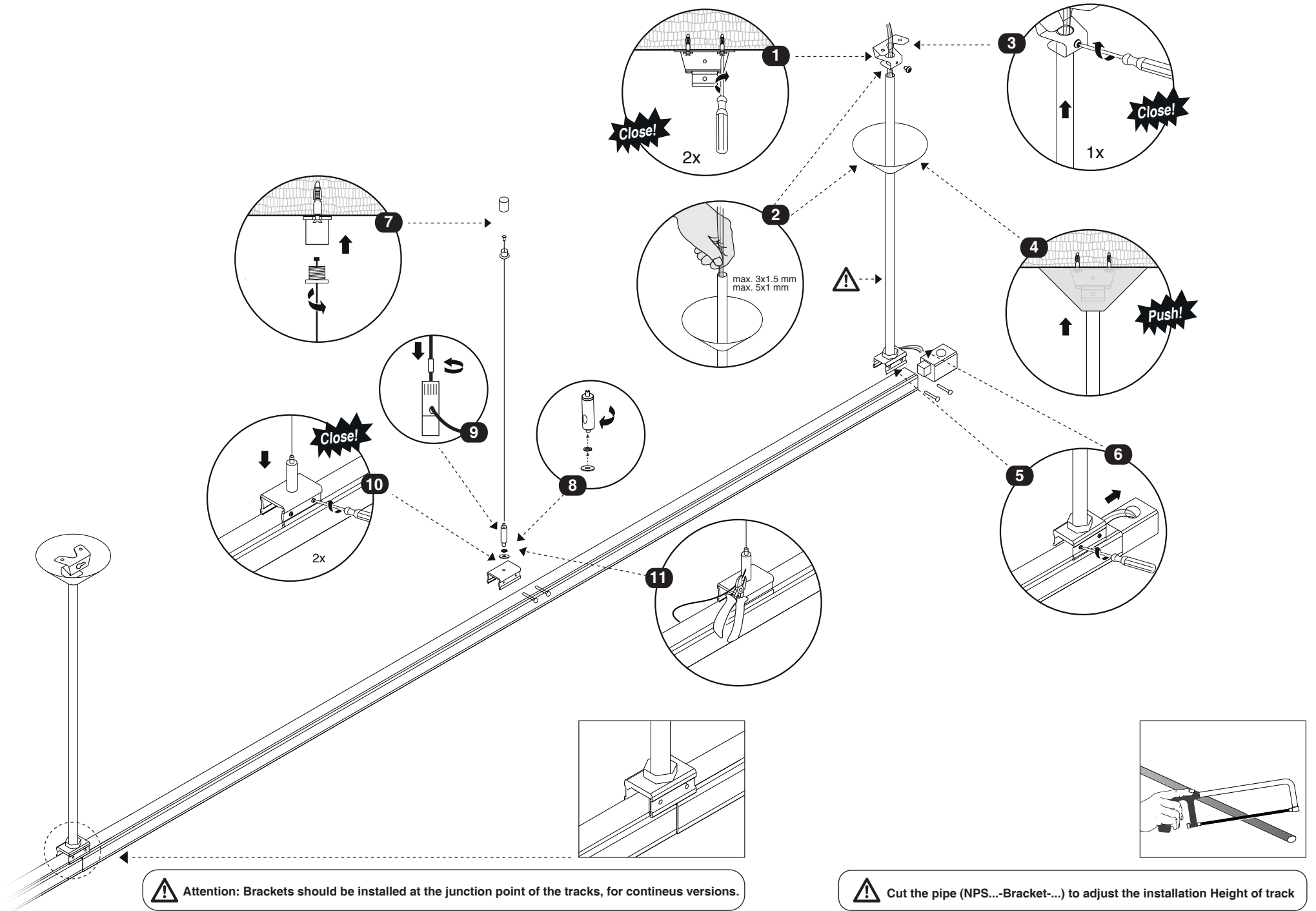


7002019807

www.megalite.com info@megalite.com



Cat. Code	L(mm)	L1(L2>8000)
G460NKSU	-	4000-6000
G460NPSKIT	-	4000-6000
GNPS60-Bracket	650 ±5	4000-6000
GNPS120-Bracket	1250 ±5	4000-6000



⚠ Attention: Brackets should be installed at the junction point of the tracks, for contineus versions.

⚠ Cut the pipe (NPS...-Bracket...) to adjust the installation Height of track