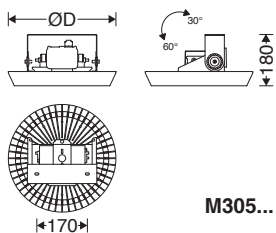


M306...

Cat. No.	Dimensions D (mm)	W (kg)
M306M...	322	3.7
M306L...	362	4.2
M306XL...	402	5.3



M305...

Cat. No.	Dimensions D (mm)	W (kg)
M305M...	322	4.2
M305L...	362	4.7
M305XL...	402	5.8

EN Instruction for Installation and Utilization of **BRiLUX** Luminaire

7002030003

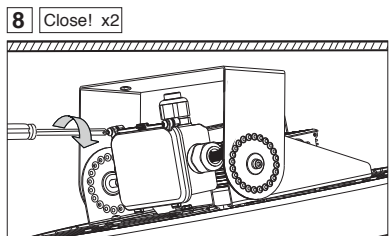
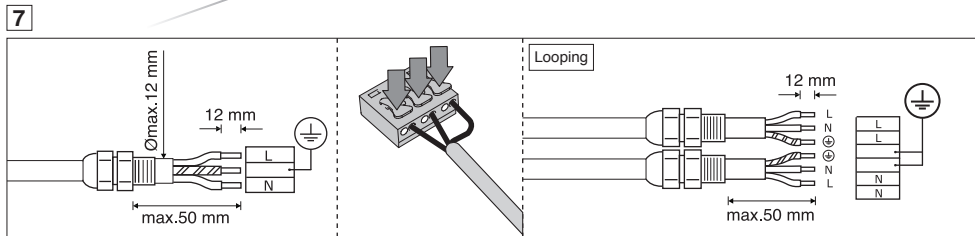
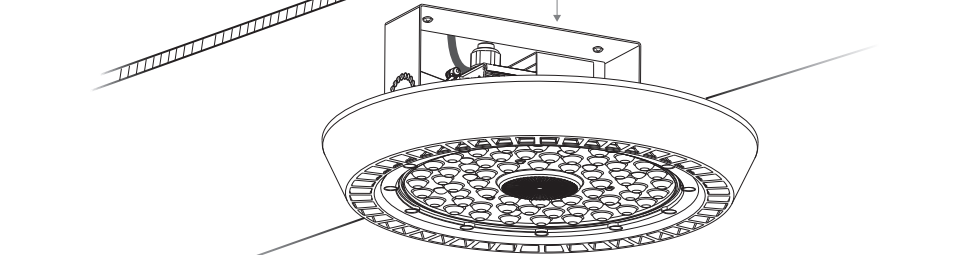
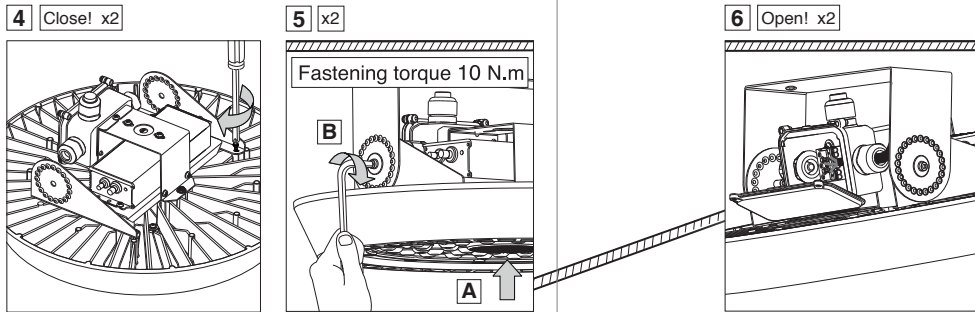
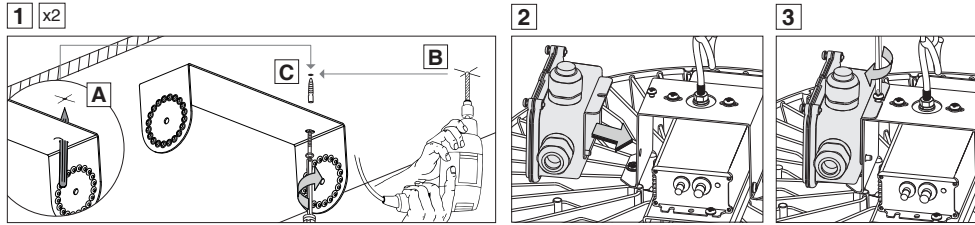
www.megalite.com info@megalite.com



- 1- For proper utilization of this product and safety, it is mandatory to closely comply with the directions and notes in this instruction and guide.
- 2- Earth connection as provided is mandatory.
- 3- When various power loads exist, a separate switchboard including all protective equipment should be considered for the lighting system.
- 4- During any construction process such as welding, etc., make sure that the luminaires are switched off or a stabilizer is used to prevent power disturbances leading to serious damage to the drivers or other electrical components.
- 5- Serious damage in electrical components will be caused by applying inappropriate voltage.
- 6- When carrying out maintenance works on the luminaire, ensure that the sealing gaskets are in proper condition and IP is preserved.
- 7- If a luminaire has a specified Ingress Protection rating, protection devices such as glands, etc., should be used to provide the desired IP.
- 8- Do not stare at LED light source.
- 9- Do not directly touch or impact LED module.



M305...



M306...

