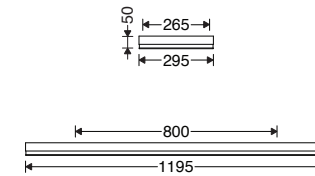


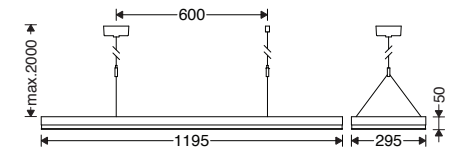
7002026001

www.megalite.com info@megalite.com

**Megalite**



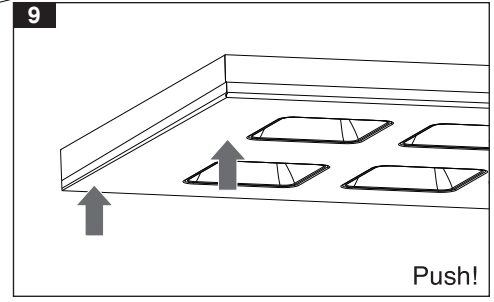
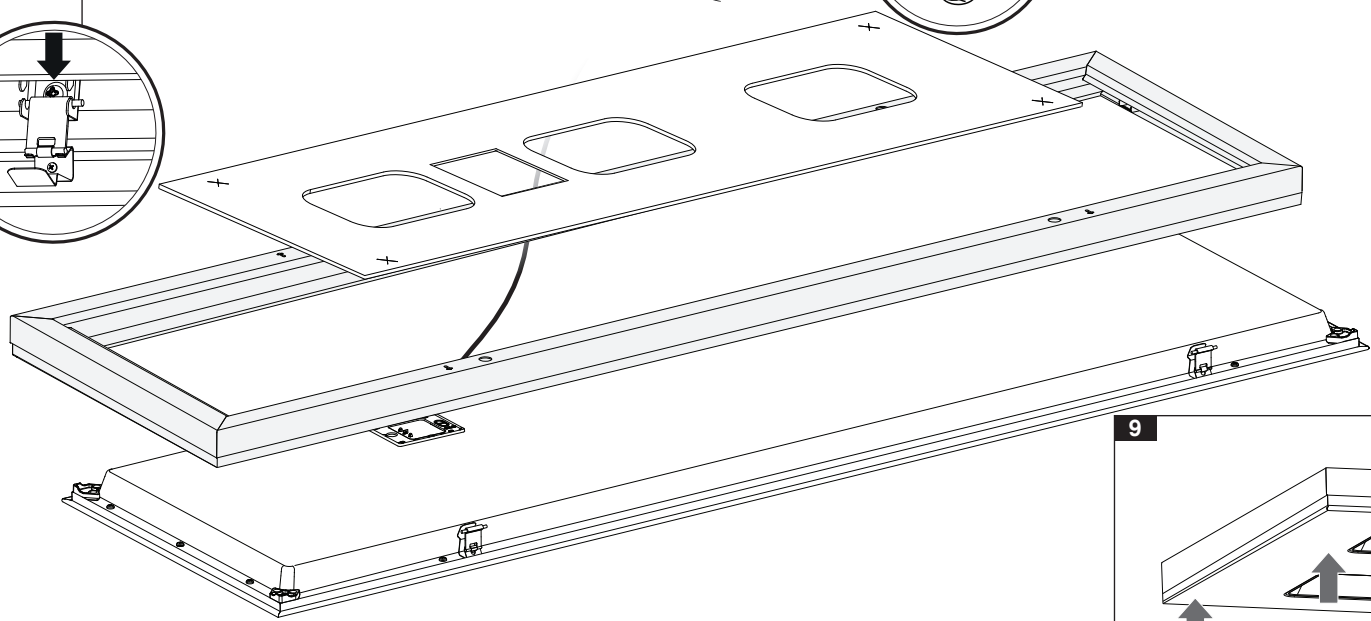
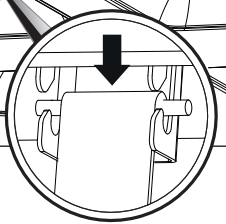
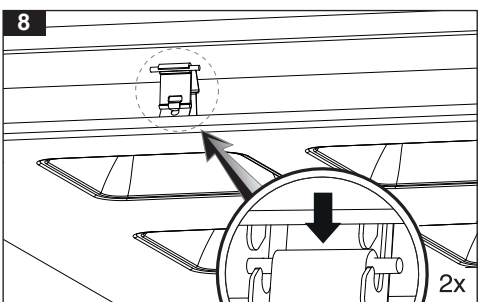
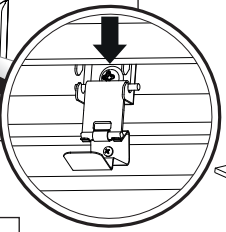
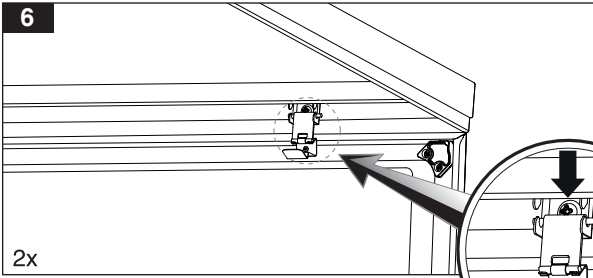
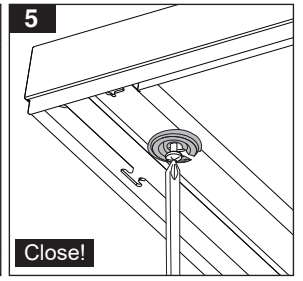
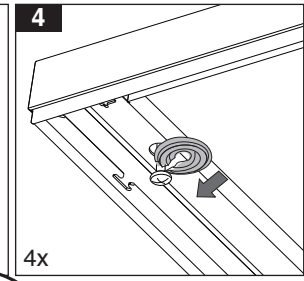
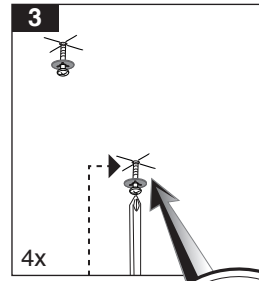
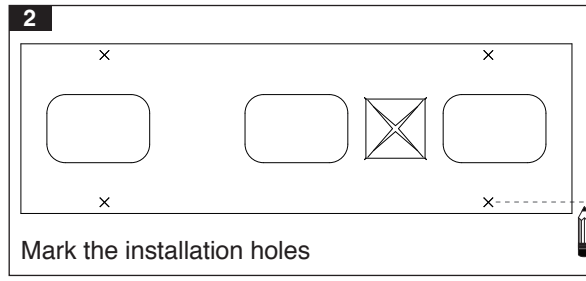
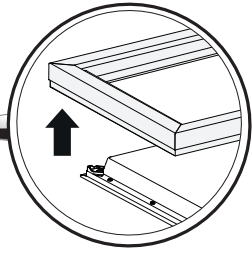
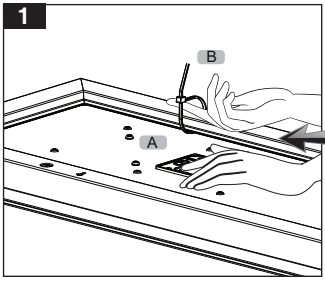
M634R4LED...



M634R4LED...+ 427SKSU2-W

Use the provided stencil tool within the carton to make holes (\*) on ceilings.  
**NOTE:** The holes on the stencil tool and the terminals on the luminaire must be in the same direction. (Figure 3)

- ⚠
- 1- For proper utilization of this product and safety, it is mandatory to closely comply with the directions and notes in this instruction and guide.
  - 2- Earth connection as provided is mandatory.
  - 3- Do not stare at LED light source.



**Electrical connection:**

