

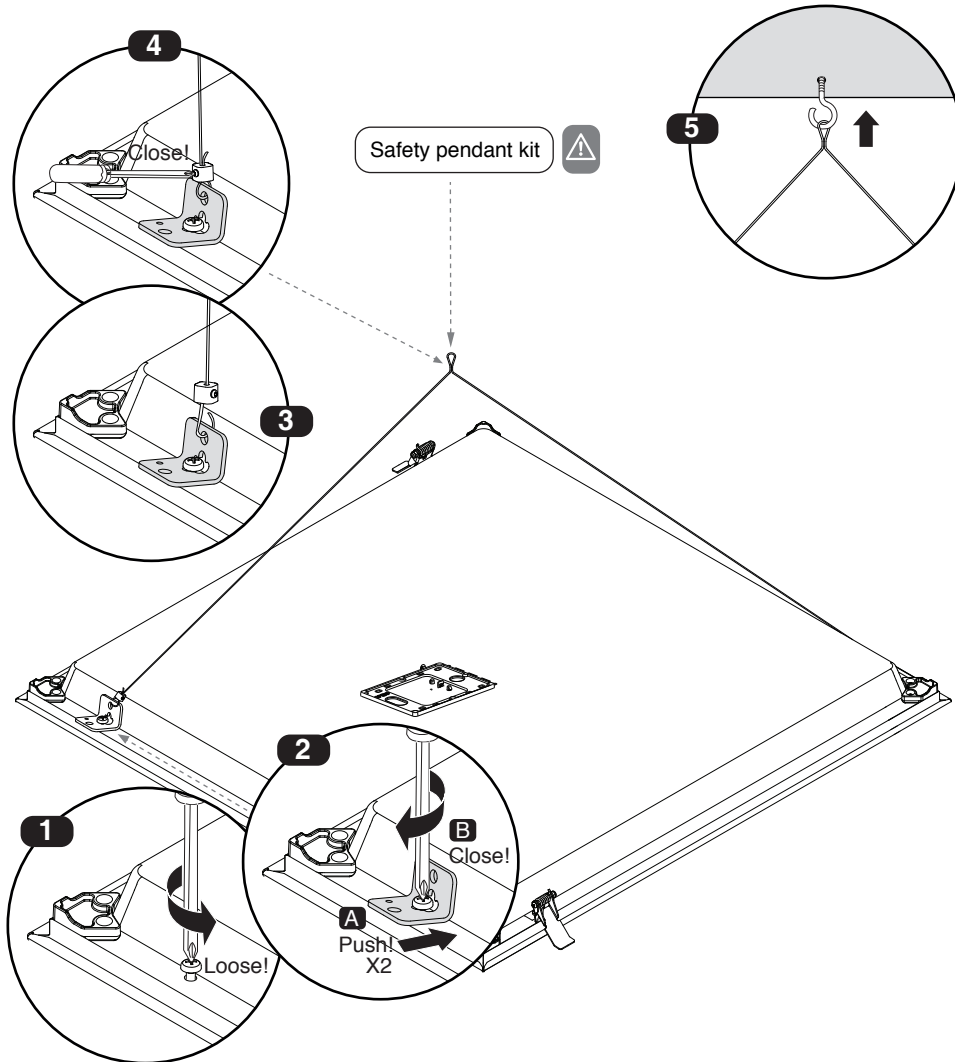
EN

Instruction for installation and utilization of **BRILLIANCE** Recessed Low UGR Luminaire (60x60)

In case of any need for safety pendant kit, it should be provided by the customer separately.

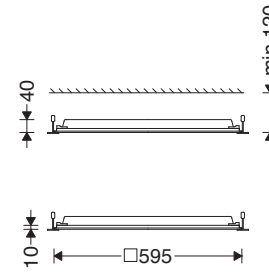


Cat. No.	L cm
M635SD...+GDMRC26-Bracket	50
M635SD...+GDMRC27-Bracket	100

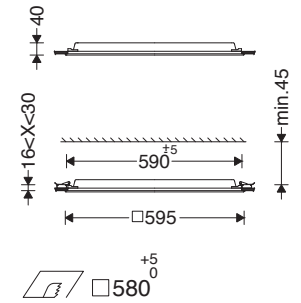


7002025403

www.megalite.com info@megalite.com



M635SD...

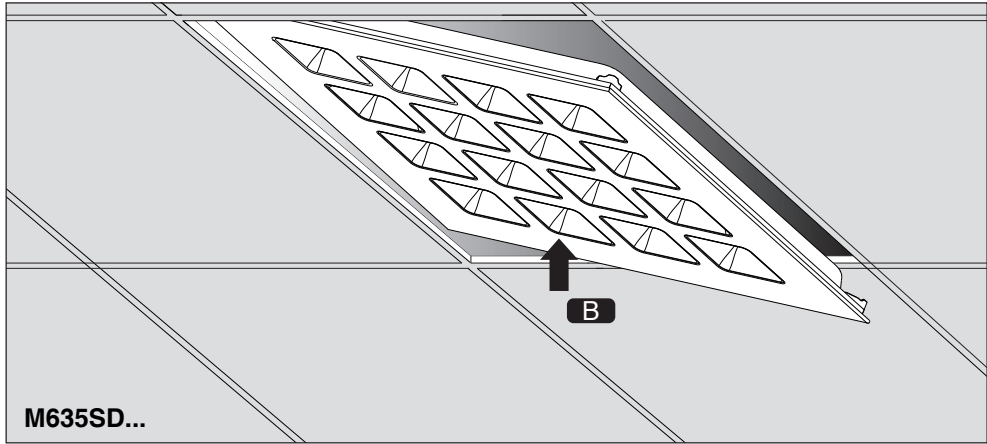


M635SD...+GDMRC21-Bracket

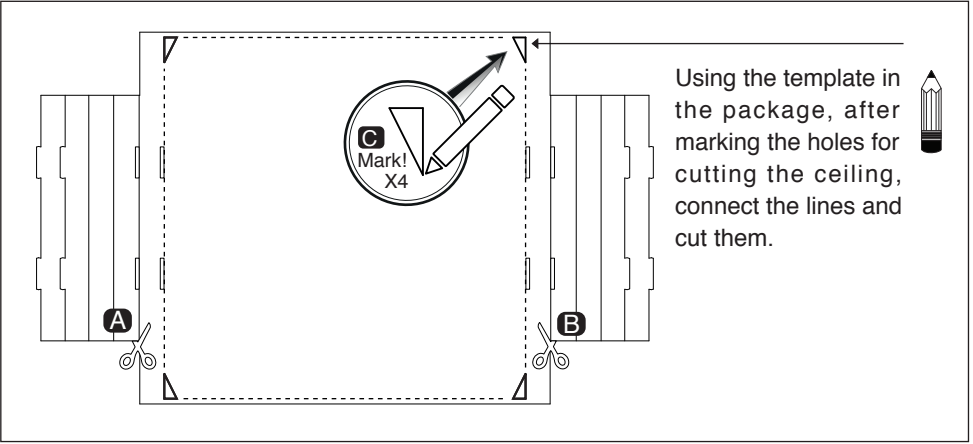


- 1- For safety and proper utilization of this product, it is mandatory to closely comply with the directions in this instruction/maintenance guide.
- 2- Earth connection as provided is mandatory.
- 3- Do not stare at LED light source.
- 4- When various power loads exist, a separate switchboard including all protective equipment should be considered for the lighting system.
- 5- During any construction process such as welding, etc., make sure that the luminaires are switched off or a stabilizer is used to prevent power disturbances leading to serious damage to the drivers or other electrical components.
- 6- Do not directly touch or impact LED module.
- 7- Serious damage in electrical components will be caused by applying inappropriate voltage.

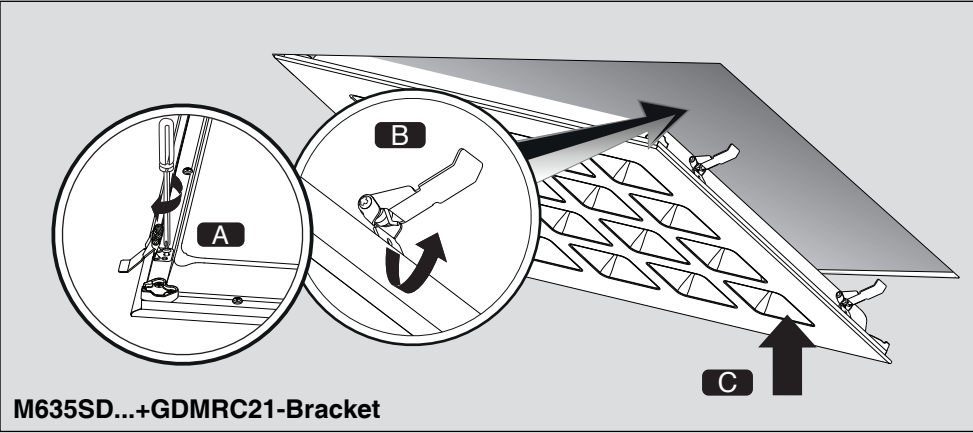
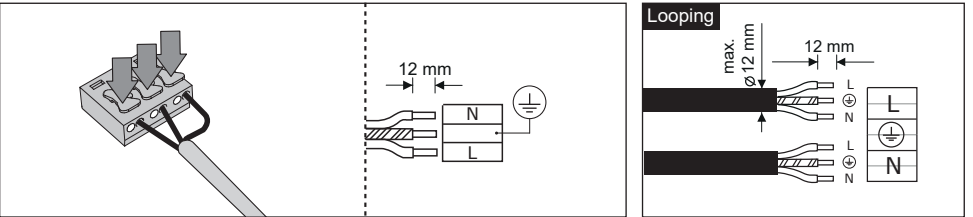
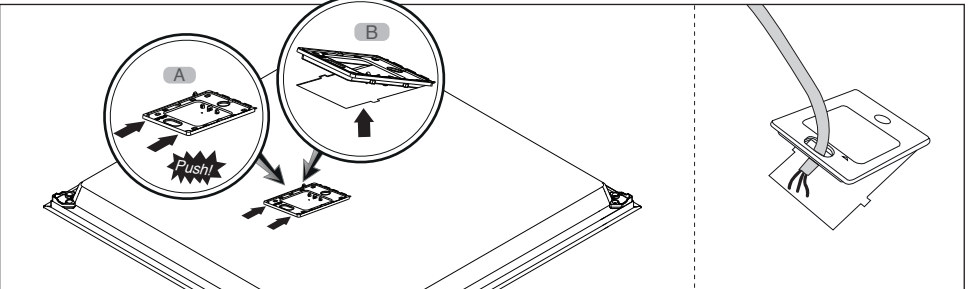
Mounting the panel in exposed T-grid false ceiling



Mounting the LED panel in gypsum false ceiling



Electrical connection:



Installation accessories are used for integrated ceiling

