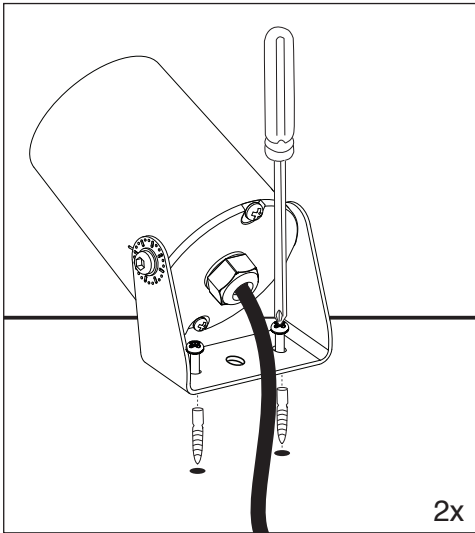
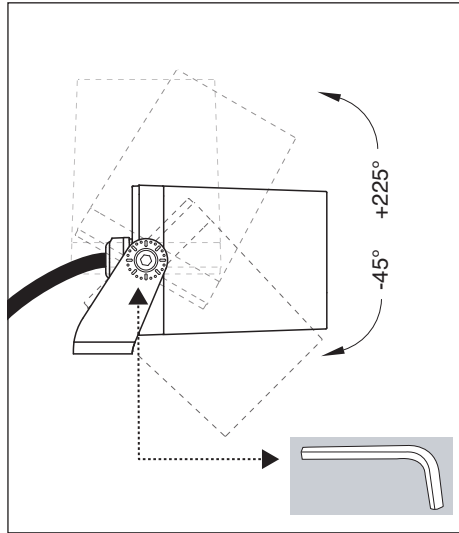


Surface mounting



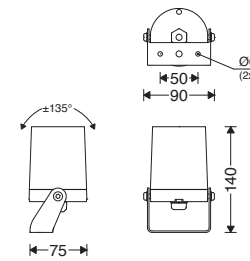
Angle adjustment



EN Instruction for Installation and Utilization of **ATRIA** Spot Facade Light


7002024703

www.megalite.com info@megalite.com

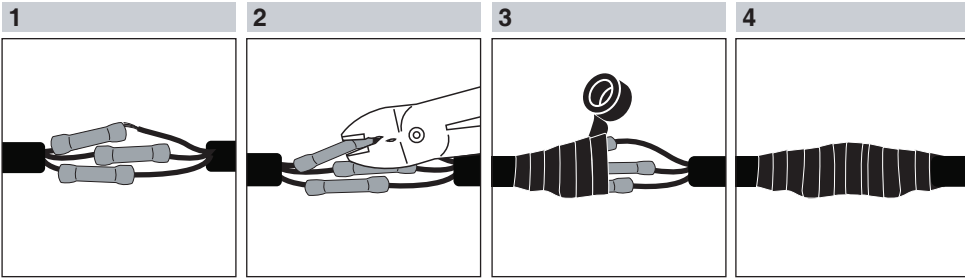


M415E...

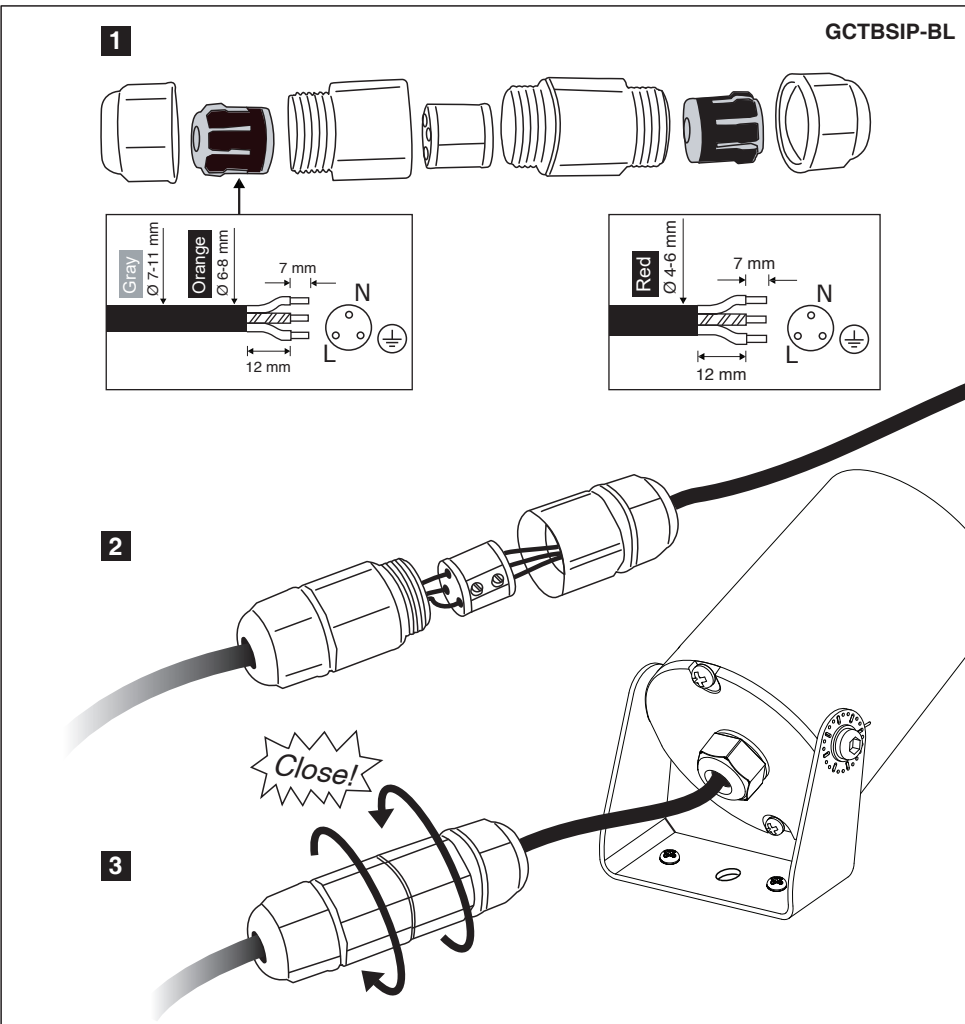
Megalite

- 
- 1- For proper utilization of this product and safety, it is mandatory to closely comply with the directions and notes in this instruction and guide.
 - 2- Earth connection as provided is mandatory.
 - 3- Do not directly touch or impact LED module.
 - 4- Do not stare at LED light source.
 - 5- The light source contained in this luminaire shall only be replaced by the manufacturer or his service agent or a similar qualified person. Always switch off the power prior to installation, maintenance or repair activities.

Connecting with Self vulcanising tape



Connecting with direct connector



Connecting with T connector

