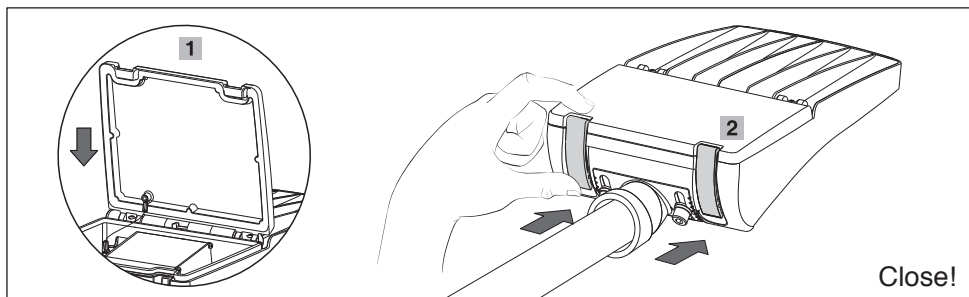


6 Close the luminaire door:



Cat. Code	W (kg)
M320SU...	2.4
M320MU...	3.4
M320LU...	5.0
M320XLU...	6.2

Mounting Height max:	M320SU...: 8m
	M320MU...: 12m
	M320LU...: 15m
	M320XLU...: 15m
M320SU...: Cx. S = 0.023 m ²	
M320MU...: Cx. S = 0.034 m ²	
M320LU...: Cx. S = 0.043 m ²	
M320XLU...: Cx. S = 0.053 m ²	

* **ASTERIA** can be ordered, upon request, with customized Timer Dimming scenarios. The above table can be completed in order to keep records of the customized settings. For more information, contact Megalite sales department.

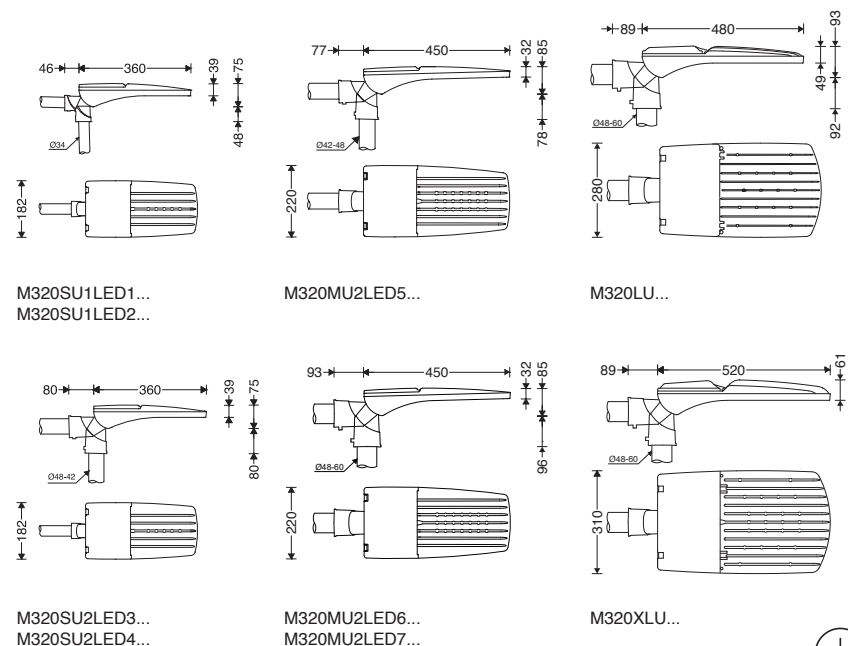
Timer dimming setting

Seventh step	Sixth step	Fifth step	Fourth step	Third step	Second step	First step	
							Duration
							Dimming Value
Traditional Timer Dimming <input type="checkbox"/>		Self-Adapt-Percentage Timer <input type="checkbox"/>		Self-Adapt-Midnight Timer <input type="checkbox"/>			Dimming mode

EN Instruction for Installation and Utilization of **ASTERIA**

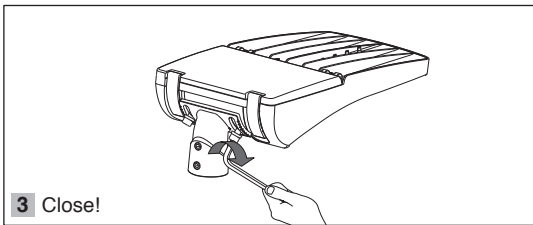
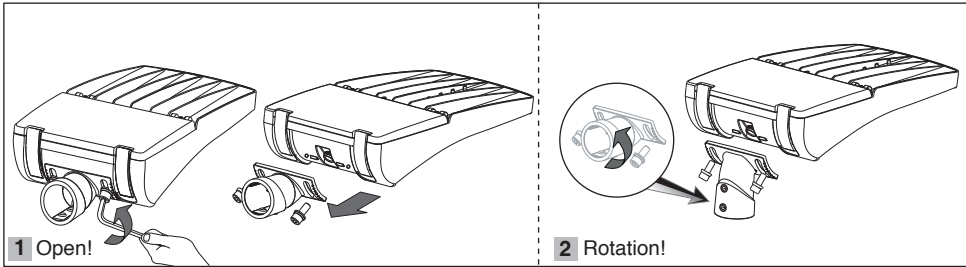
7002023113

www.megalite.com info@megalite.com

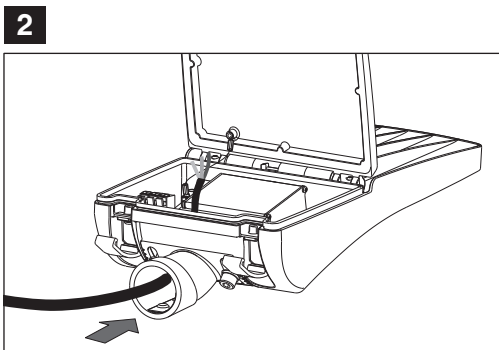
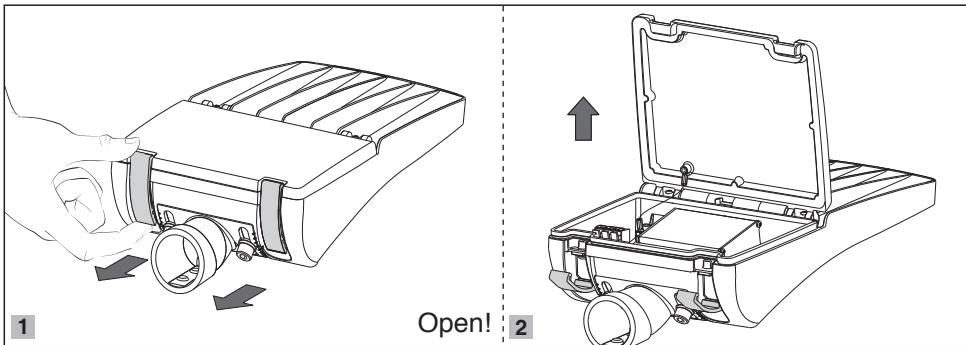


- 1- For proper utilization of this product and safety, it is mandatory to closely comply with the directions and notes in this instruction and guide.
- 2- Earth connection as provided is mandatory.
- 3- Do not directly touch or impact LED module.
- 4- Do not stare at LED light source.
- 5- The light source contained in this luminaire shall only be replaced by the manufacturer or his service agent or a similar qualified person. Always switch off the power prior to installation, maintenance or repair activities.

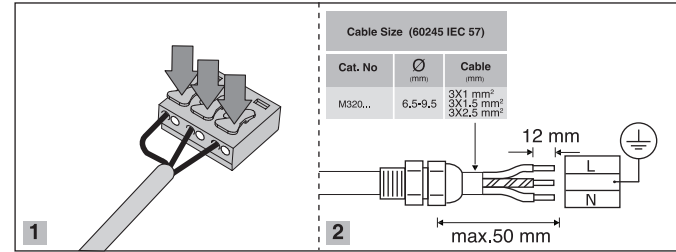
✳ Vertical pole mounting:



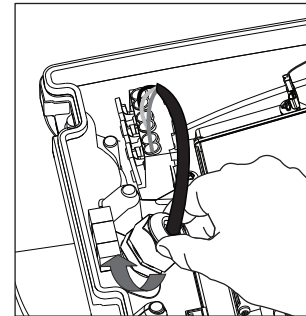
1 Open the luminaire door:



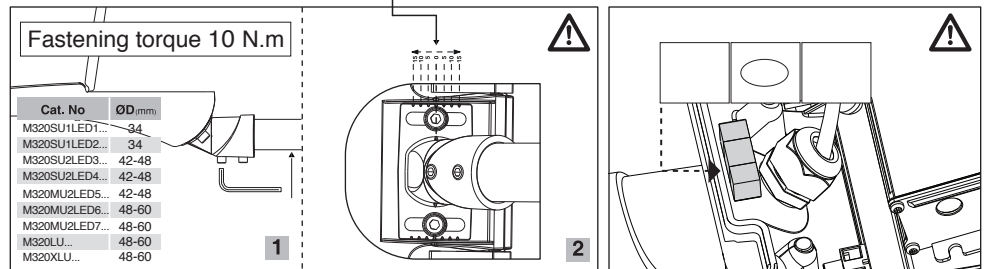
3 Electrical connections:



4 Close!

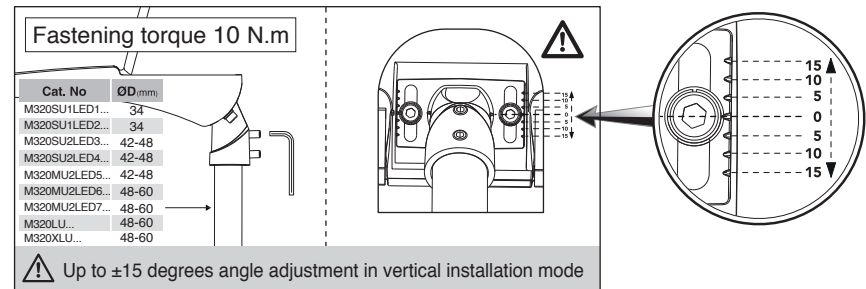


5 Horizontal pole mounting:



⚠ Up to ±15 degrees angle adjustment in horizontal installation mode, Bubble level feature to precisely align luminaire with horizontal plane

5 Close!



⚠ Up to ±15 degrees angle adjustment in vertical installation mode