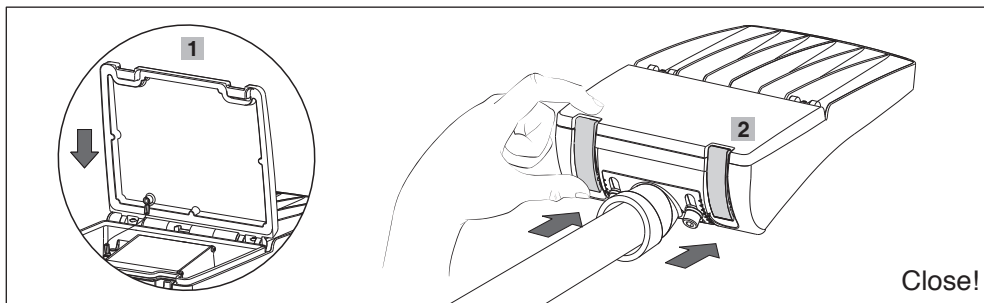
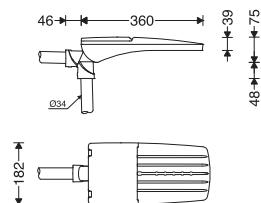


6 Close the luminaire door:

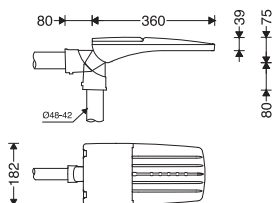


Cat. Code	W (kg)
M320S...	2.5
M320M...	3.4
M320XL...	6.2

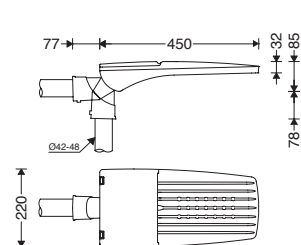
Mounting Height max:	M320S...: 8m
	M320M...: 12m
	M320XL...: 15m
	M320S...: Cx. S = 0.023 m ²
	M320M...: Cx. S = 0.034 m ²
	M320XL...: Cx. S = 0.053 m ²



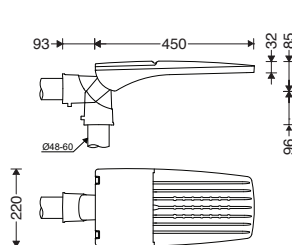
M320SU1LED1...
M320SU1LED2...



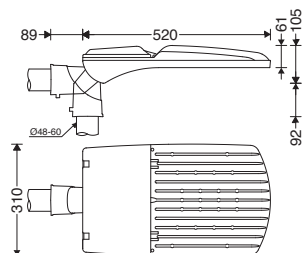
M320SU2LED3...
M320SU2LED4...



M320MU2LED5...



M320MU2LED6...
M320MU2LED7...



M320XL...

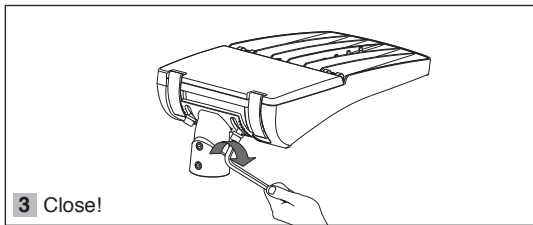
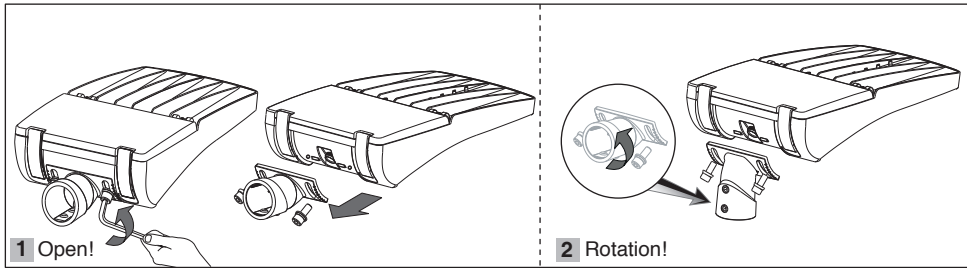
7002023111

www.megalite.com info@megalite.com

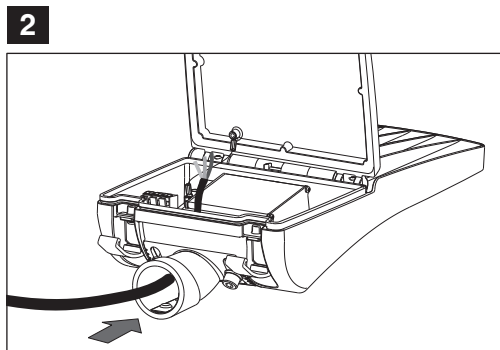
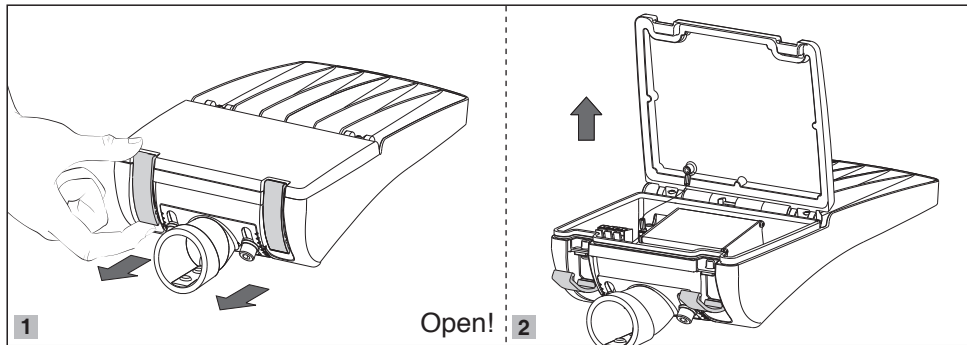


- !**
- 1- For proper utilization of this product and safety, it is mandatory to closely comply with the directions and notes in this instruction and guide.
 - 2- Earth connection as provided is mandatory.
 - 3- Do not directly touch or impact LED module.
 - 4- Do not stare at LED light source.
 - 5- The light source contained in this luminaire shall only be replaced by the manufacturer or his service agent or a similar qualified person. Always switch off the power prior to installation, maintenance or repair activities.

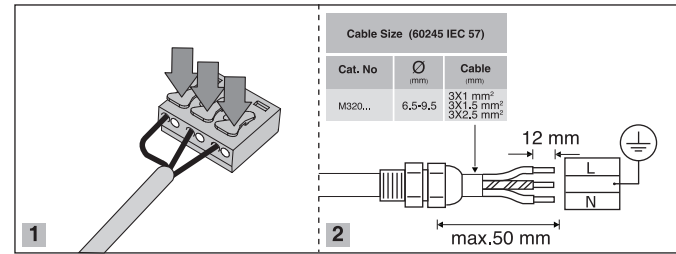
* Vertical pole mounting:



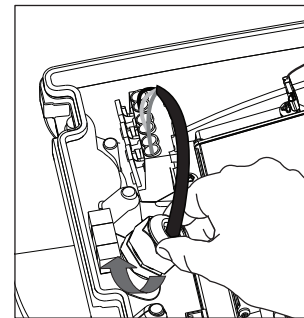
1 Open the luminaire door:



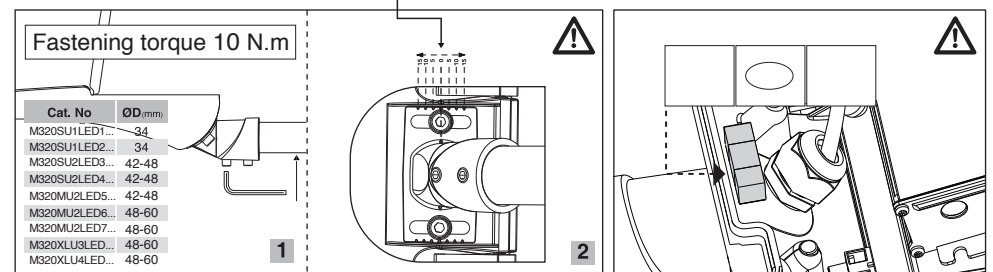
3 Electrical connections:



4 Close!



5 Horizontal pole mounting:



⚠ Up to ±15 degrees angle adjustment in horizontal installation mode, Bubble level feature to precisely align luminaire with horizontal plane

5 Close!

