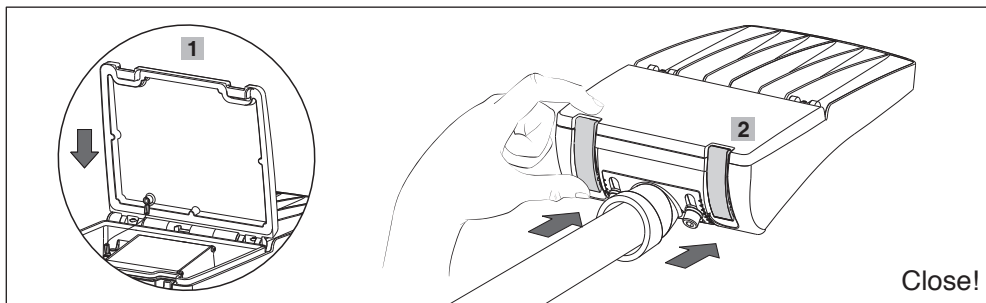


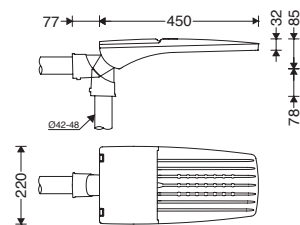
6 Close the luminaire door:



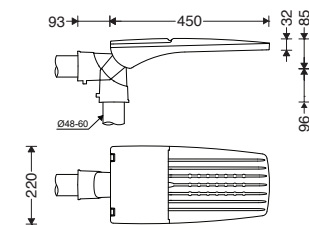
Cat. Code	W (kg)
M320SU1LED1...	2.4
M320SU1LED2...	2.4
M320SU2LED3...	2.5
M320SU2LED4...	2.5
M320MU2LED...	3.4

 Mounting Height max: 8 m
 M320MULED...: Cx. S = 0.023 m²
 M320SULED...: Cx. S = 0.018 m²

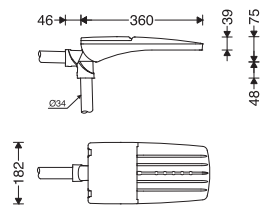
EN Instruction for Installation and Utilization of **ASTERIA**



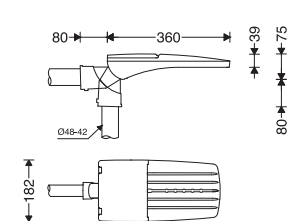
M320MU2LED5...



M320MU2LED6...
M320MU2LED7...



M320SU1LED1...
M320SU1LED2...



M320SU2LED3...
M320SU2LED4...



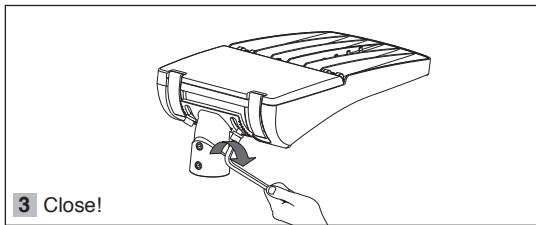
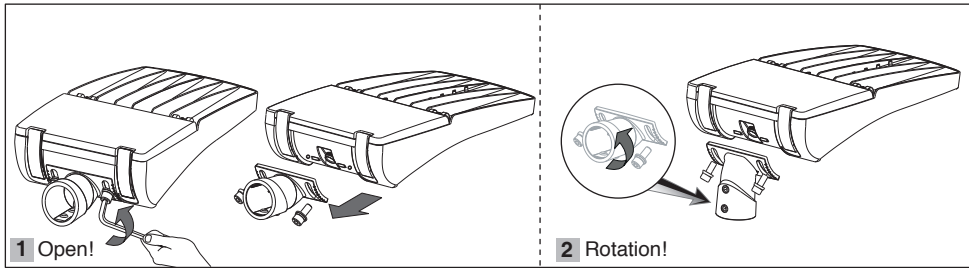
7002023109

www.megalite.com info@megalite.com

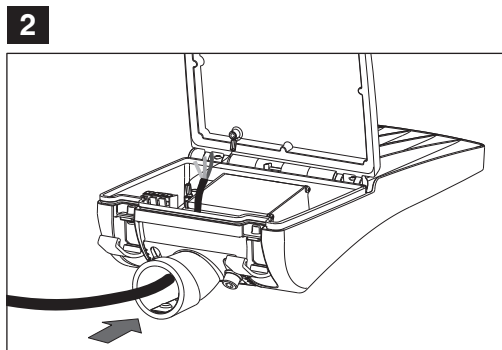
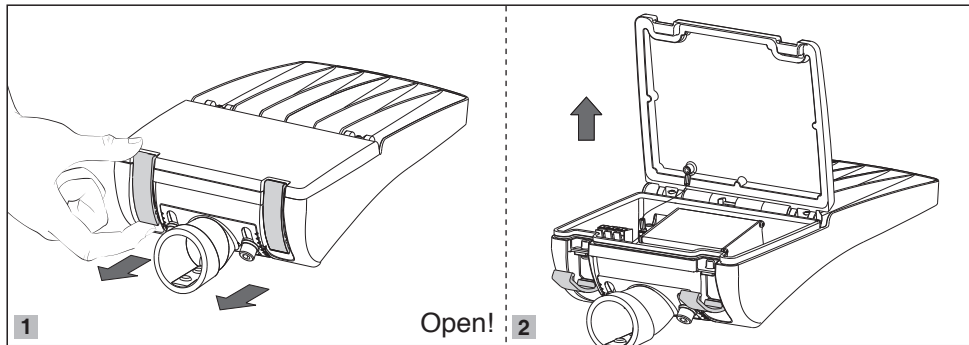


- 1- For proper utilization of this product and safety, it is mandatory to closely comply with the directions and notes in this instruction and guide.
- 2- Earth connection as provided is mandatory.
- 3- Do not directly touch or impact LED module.
- 4- Do not stare at LED light source.
- 5- The light source contained in this luminaire shall only be replaced by the manufacturer or his service agent or a similar qualified person. Always switch off the power prior to installation, maintenance or repair activities.

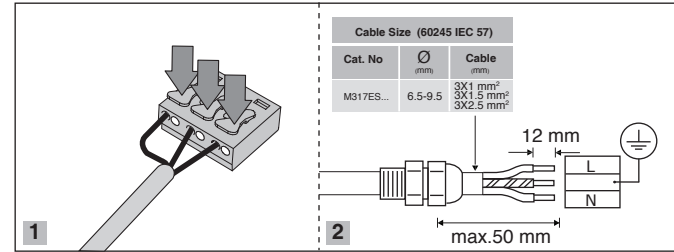
✳ Vertical pole mounting:



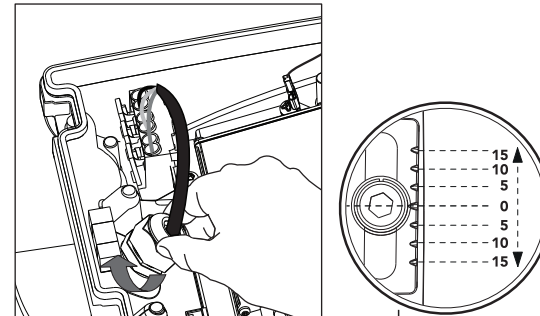
1 Open the luminaire door:



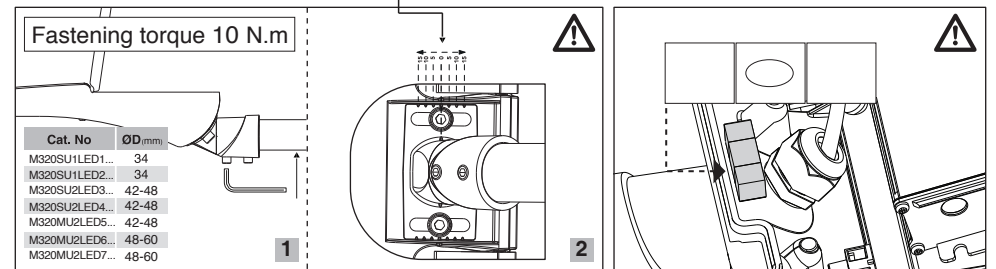
3 Electrical connections:



4 Close!



5 Horizontal pole mounting:



Up to ±15 degrees angle adjustment in horizontal installation mode, Bubble level feature to precisely align luminaire with horizontal plane

5 Close!

