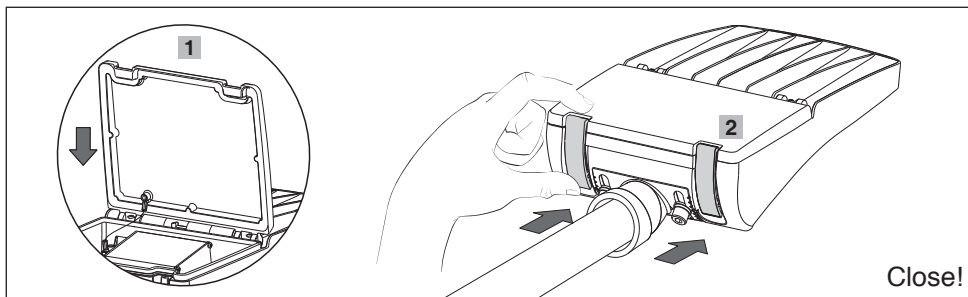


**6** Close the luminaire door:



**EN** Instruction for Installation and Utilization of **ASTERIA**



Mounting Height max: 8 m

M320MU2LED...: Cx. S = 0.023 m<sup>2</sup>

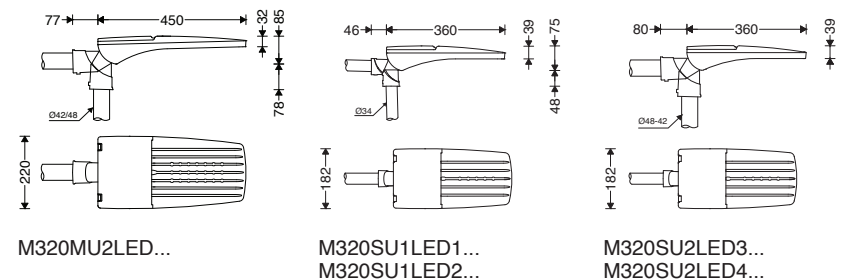
M320SU2LED...: Cx. S = 0.018 m<sup>2</sup>

Cat. Code	W (kg)
M320SU1LED1...	2.4
M320SU1LED2...	2.4
M320SU2LED3...	2.5
M320SU2LED4...	2.5
M320MU2LED5...	3.4
M320MU2LED6...	3.4

7002023108

www.megalite.com info@megalite.com

**Megalite**



M320MU2LED...

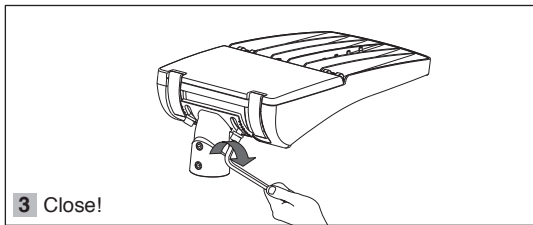
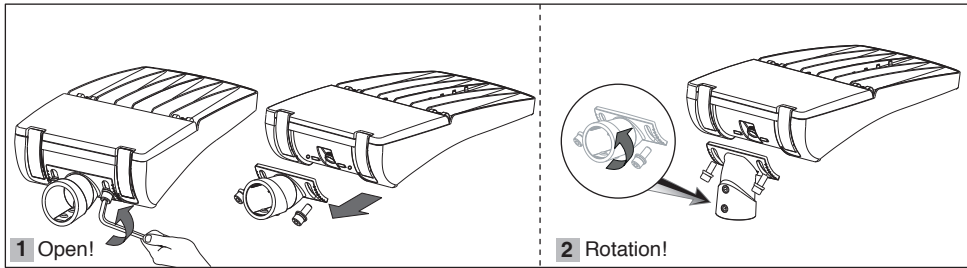
M320SU1LED1...  
M320SU1LED2...

M320SU2LED3...  
M320SU2LED4...

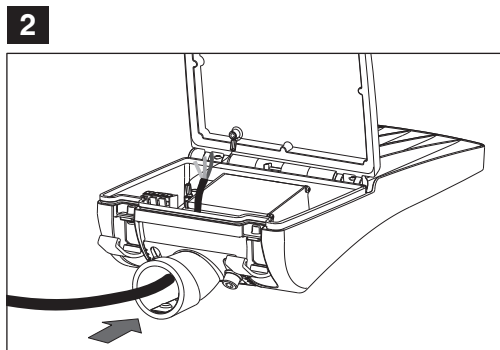
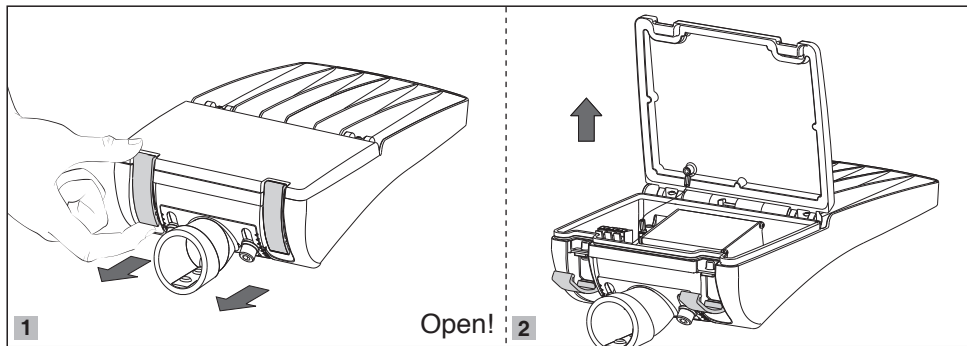


- 1- For proper utilization of this product and safety, it is mandatory to closely comply with the directions and notes in this instruction and guide.
- 2- Earth connection as provided is mandatory.
- 3- Do not directly touch or impact LED module.
- 4- Do not stare at LED light source.
- 5- The light source contained in this luminaire shall only be replaced by the manufacturer or his service agent or a similar qualified person. Always switch off the power prior to installation, maintenance or repair activities.

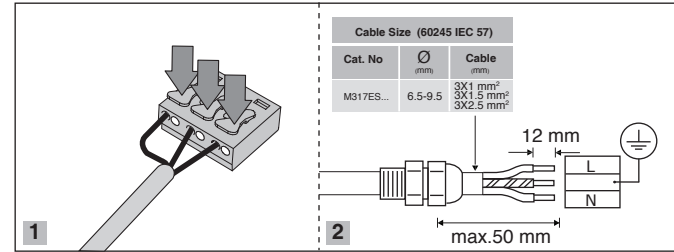
✳ Vertical pole mounting:



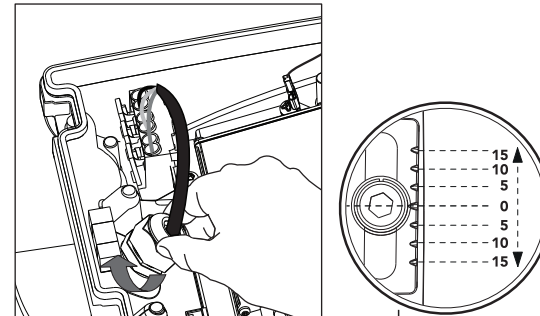
**1** Open the luminaire door:



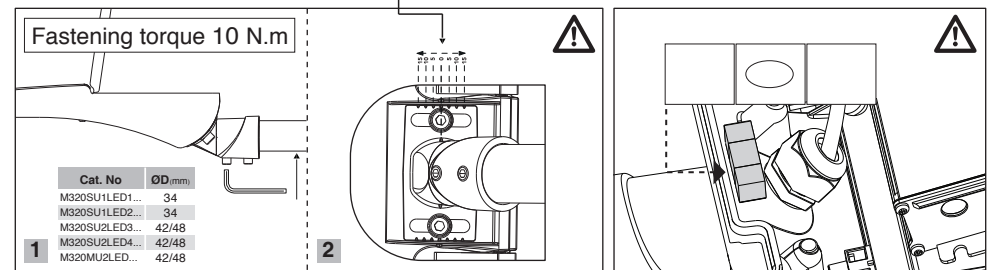
**3** Electrical connections:



**4** Close!



**5** Horizontal pole mounting:



Up to ±15 degrees angle adjustment in horizontal installation mode, Bubble level feature to precisely align luminaire with horizontal plane

**5** Close!

