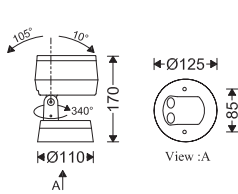
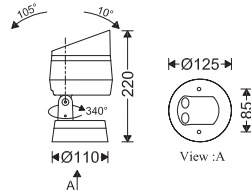


EN Instruction for Installation and Utilization of **ARTILUX** Wall Washer Luminaire



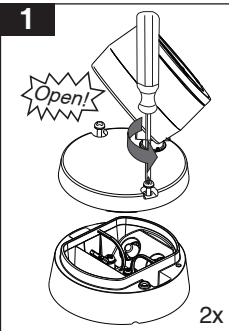
M315...



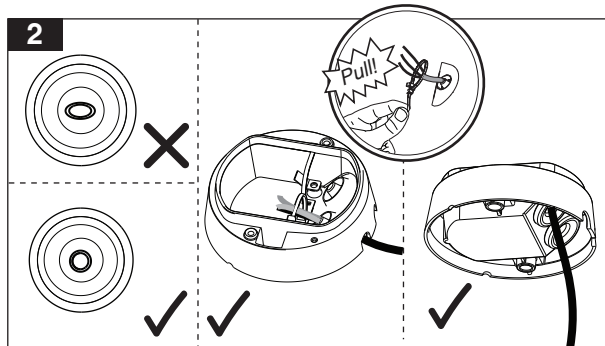
M315...+G315SH



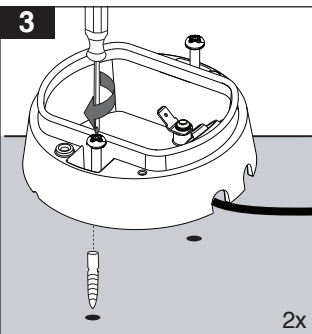
- 1- For proper utilization of this product and safety, it is mandatory to closely comply with the directions and notes in this instruction and guide.
- 2- Earth connection as provided is mandatory.
- 3- Do not stare at LED light source.



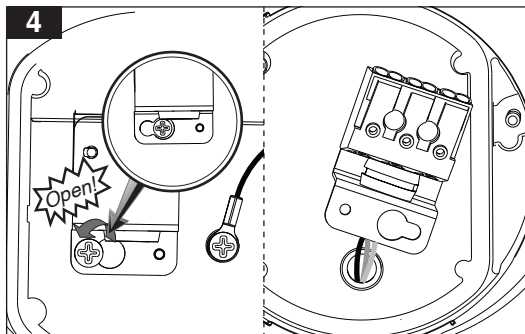
Loosen the screws



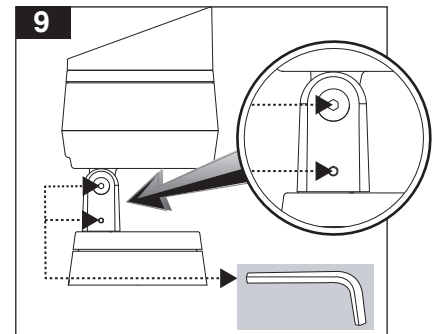
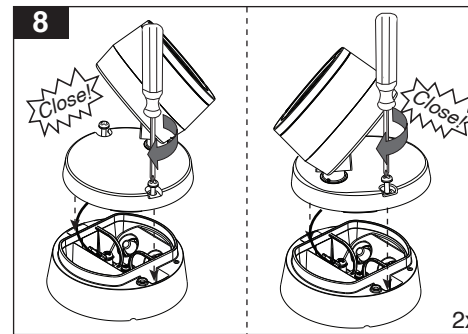
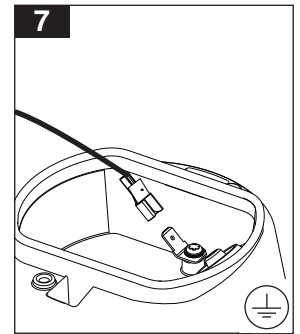
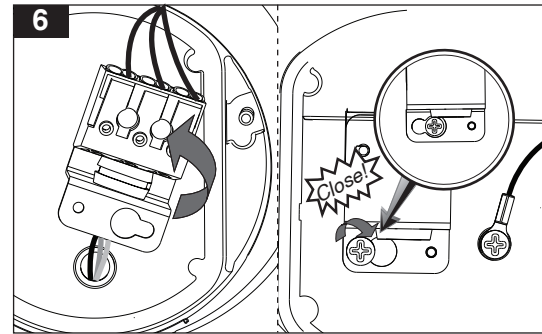
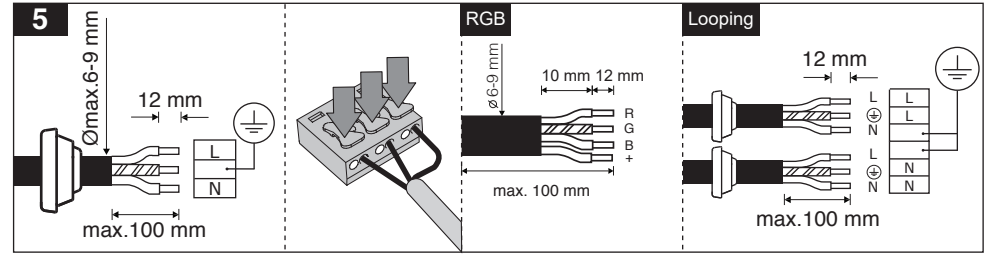
Grumet



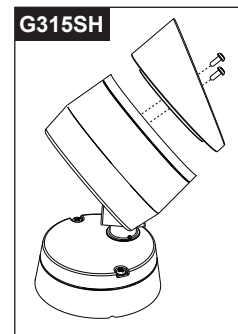
Ground mounting



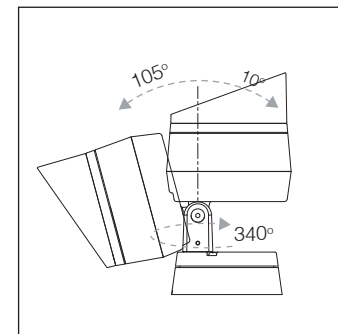
Loosen the screw



Pay attention to the Allen wrench direction!



G315SH



Angle adjustment

7002017808

www.megalite.com info@megalite.com

